

SPECIFICATION

- Part No. : **PCB.SMAFSTJ.A.HT**
- Product Name : SMA (F) Through Hole PCB Mount Jack
- Feature : SMA(F) Jack
Through Hole PCB Jack
Frequency Range: 0~12.4GHz
Finish: Gold
Leg Length: 2mm
Total Length: 11.00mm
RoHS Compliant



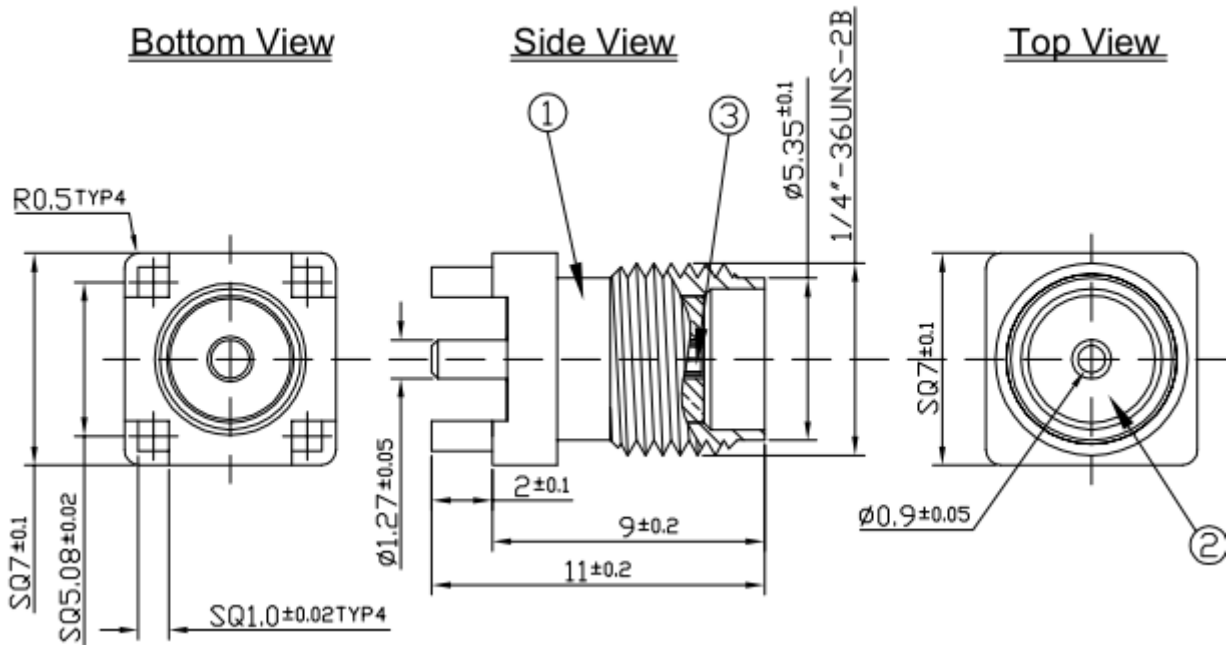
1. Introduction

The PCB.SMAFSTJ.A.HT connector was designed to be mounted on a PCB, it has a Solder Post for connection. The connector pin is directly soldered onto pads on the PCB. The connector is a standard SMA (F) Jack. The SMA connector is the most popular type connector for RF applications. Taoglas connectors are all RoHS compliant.

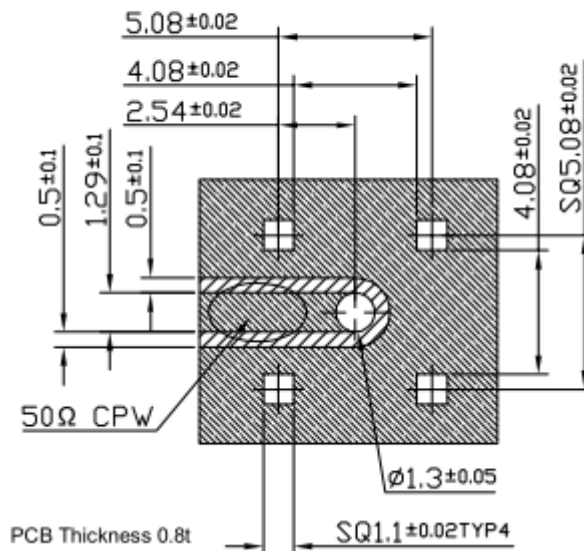
2. Specification

ELECTRICAL	
Impedance	50Ω
Frequency Range	0~12.4 GHz
Working Voltage	Max. 335 Vrms
Dielectric withstanding Voltage	≤1000 Vrms
Insulation Resistance	≥5000M Ω
MECHANICAL	
Connector Dimension	11 X 7 mm
Connector Pin Diameter	1.27 mm
Max. Thickness PCB acceptable	0.8 mm
Connector Type	SMA (F)
ENVIRONMENTAL	
RoHS compliant	

3. Connector Drawing



PCB Footprint



Note:

- 1 Copper Area
- 2 Through Hole Area
- 3 Clearance Area



	Name	Material	Finish	QTY
1	Body	Brass	Gold	1
2	Insulator	Teflon	White	1
3	Female Contact	Phosphor Bronze	Gold	1

Taoglas makes no warranties based on the accuracy or completeness of the contents of this document and reserves the right to make changes to specifications and product descriptions at any time without notice. Taoglas reserves all rights to this document and the information contained herein. Reproduction, use or disclosure to third parties without express permission is strictly prohibited. Copyright © 2012, Taoglas Ltd.

X-ON Electronics

Largest Supplier of Electrical and Electronic Components

Click to view similar products for [RF Connectors / Coaxial Connectors](#) category:

Click to view products by [Taoglas](#) manufacturer:

Other Similar products are found below :

[8915-1511-000](#) [89674-0827](#) [6001-7071-019](#) [6002-7051-003](#) [6002-7551-202](#) [6059674-1](#) [619550-1](#) [630059-000](#) [M39030/3-01N](#) [6500-7071-046](#) [6769](#) [CX050L2AQ](#) [7002-1542-011](#) [7004-1512-000](#) [7009-1511-004](#) [7010-1511-000](#) [7029-1511-060](#) [7101-1541-010](#) [7101-1571-002](#) [7105-1521-002](#) [7145-1521-002](#) [7203-1571-003](#) [7209-1511-011](#) [7210-1511-015](#) [7210-1511-019](#) [73137-5015](#) [73216-2241](#) [73404-2300](#) [7405-1521-005](#) [7405-1521-802](#) [8527](#) [8547](#) [FS11V](#) [877931](#) [9049-9513-000](#) [9074-9513-000](#) [9101-9573-002](#) [910A205F](#) [9130-9573-002](#) [PL11SC-026](#) [PL375-33](#) [PL40-5](#) [PL74C-221](#) [PL75MC-217](#) [PL803-7](#) [1200690078](#) [1-201144-1](#) [R107003010W](#) [R110A172100](#) [R112186000](#)