

SGP.12a

Specification

Part No.	SGP.1575.12.4.A.02
Product Name	GPS SMT Patch Antenna
Features	<p>12mm*12mm*4.5mm 1575MHz Centre Frequency Patent Pending</p> <p>RoHS Compliant</p>

1. Introduction

This ceramic GPS patch antenna is based on smart **XtremeGain™** technology. It is mounted via SMT process and has been selected as optimal solution for the 45x45mm ground plane.

2. Specification

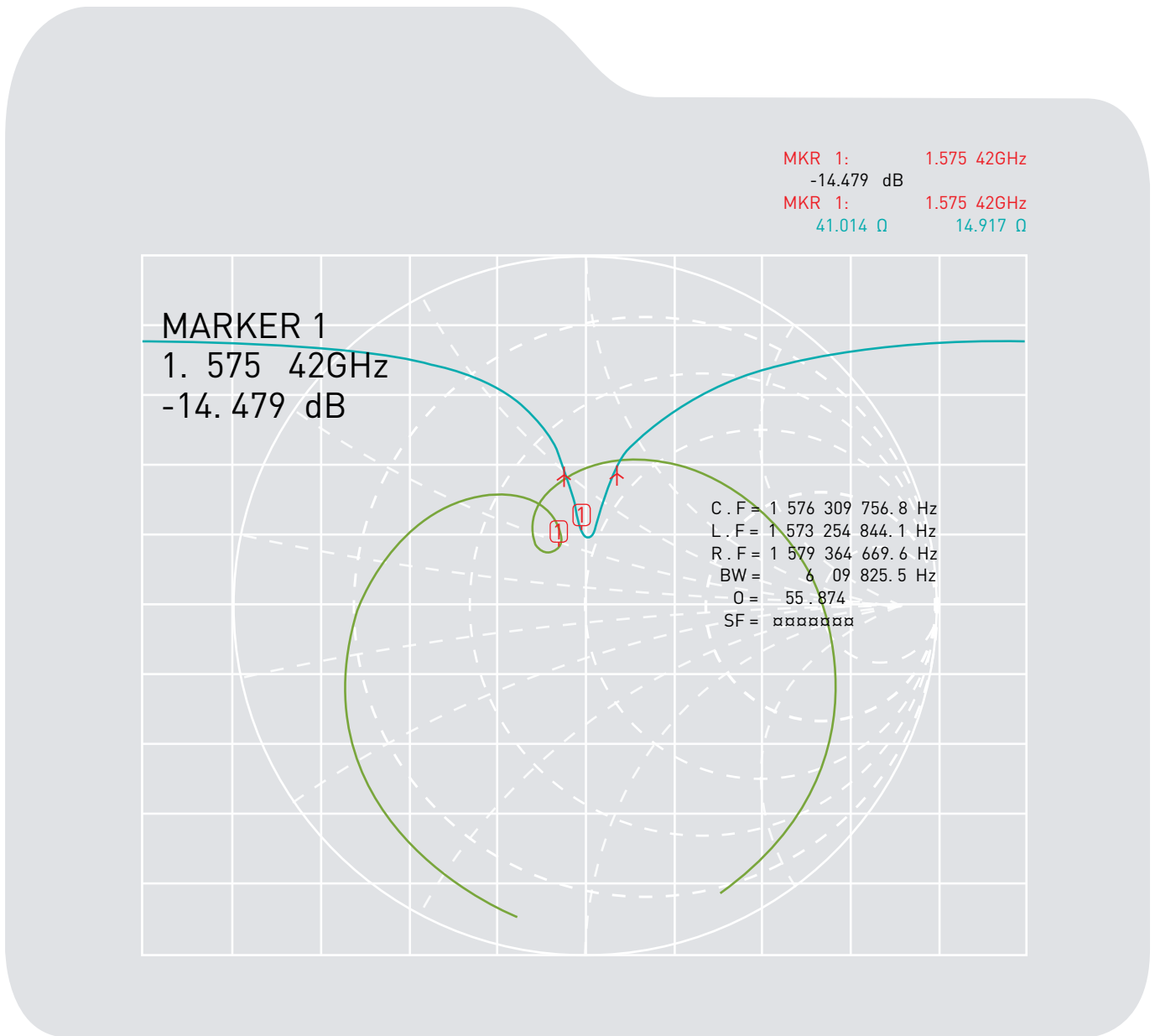
Original Patch Specification tested on 45mm ground plane

Parameter	Specification	Notes
Range of Receiving Frequency	1575.42 MHz ± 1.023 MHz	
Center Frequency	1575.42 ± 3MHz	With 45*45mm ground plane
Bandwidth	4MHz min	Return Loss ≤ -10 dB
VSWR	1.5 max	
Gain at Zenith	-1.0 dBic typ.	
Gain at 10°elevation	-1.5 dBic typ.	
Axial Ratio	4.0 dB max	
Polarization	RHCP	
Impedance	50 Ohms	
Frequency Temperature Coefficient	0 ± 20ppm / oC	-40°C to +85°C
Operating Temperature	-40°C to +85°C	

****Changes in user groundplane and environment will offset centre frequency**

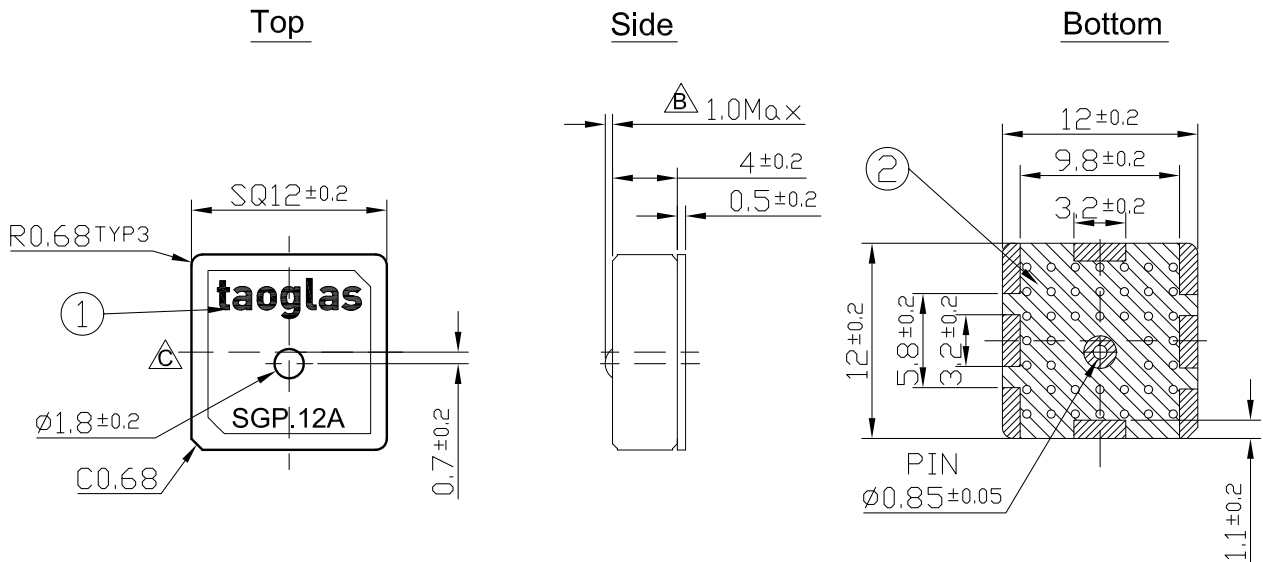
3. Electrical Specifications

3.1 Return Loss, SWR, Impedance, measured on the test fixture



4. Mechanical Specifications

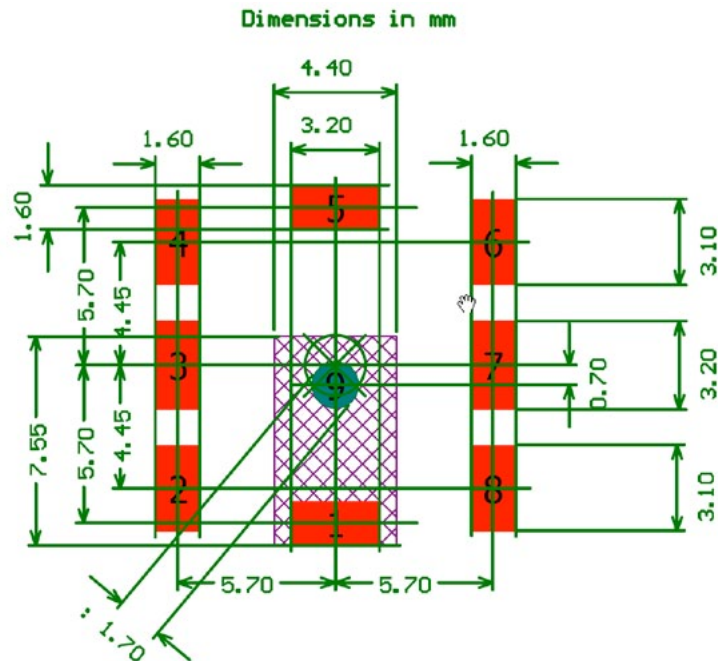
4.1 Dimensions and Drawing



	Name	Part No.	Material	Finish	Quantity
1	SGP.12 Patch 12x12x4	SGP.12	Ceramic	Clear	1
2	SGP.12 PCB		FR 0.5t	Green	1

4.2 Antenna footprint

4.2.1 Top Copper

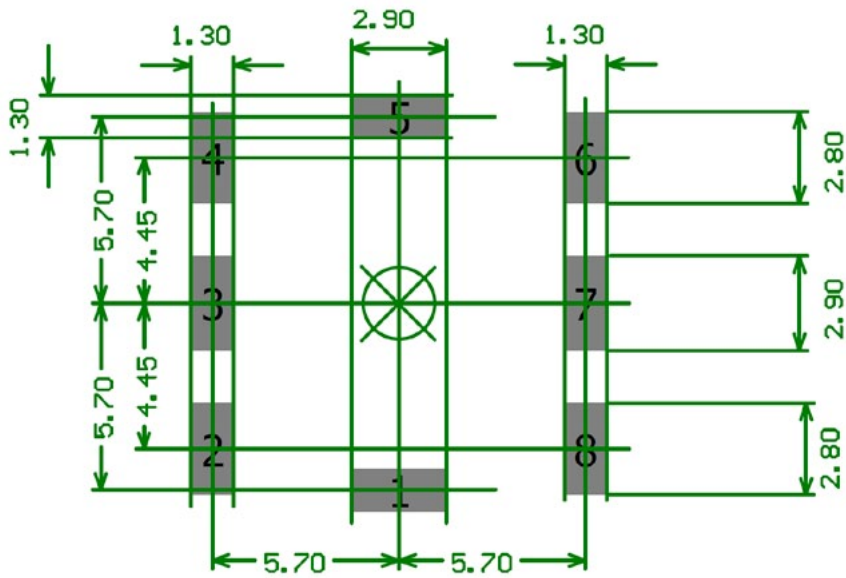


 **Copper Keepout Region**

Pads 2 through 8 should be connected to GND.
 Pads 1 and 5 are the same size (3.20 x 1.60 mm).
 Pads 2, 4, 6, and 8 are the same size (1.60 x 3.10 mm).
 Pads 3 and 7 are the same size (1.60 x 3.20 mm).
 Pad 9 is a 1.70mm dia. non-plated thru-hole.
 Copper Keepout Region should extend at least 2 mm down into PCB.

4.2.2 Solder Paste

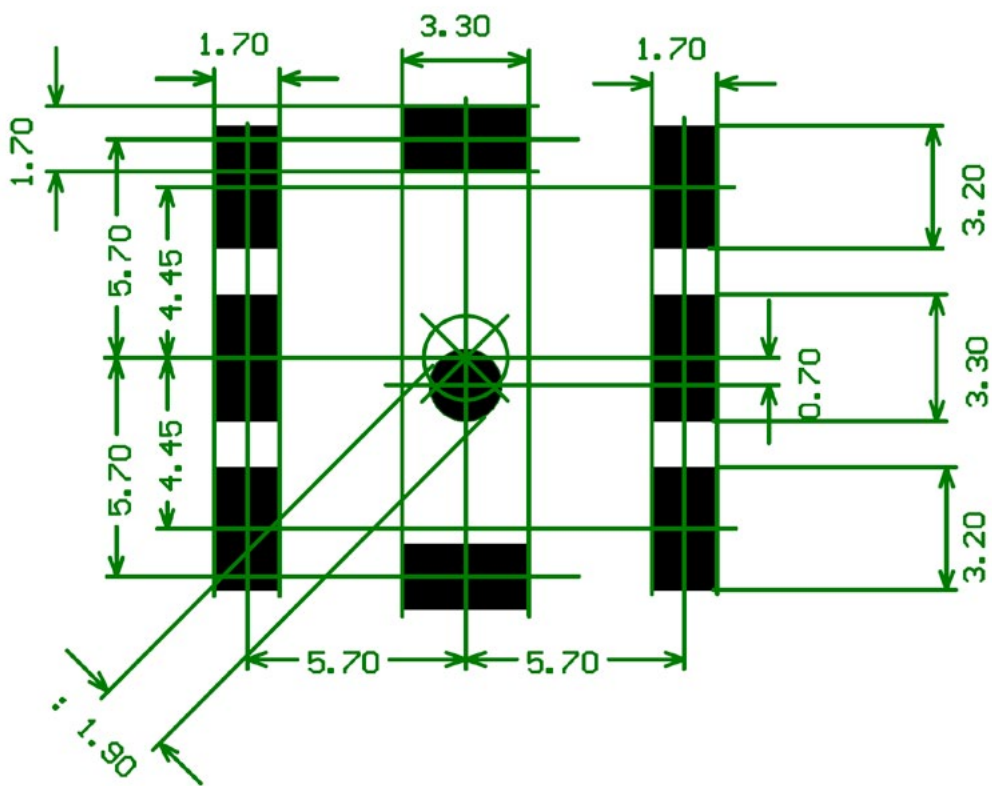
Dimensions in mm



Solder paste application is typically defined by the assembly house. These recommendations are merely a starting point and are subject to change.

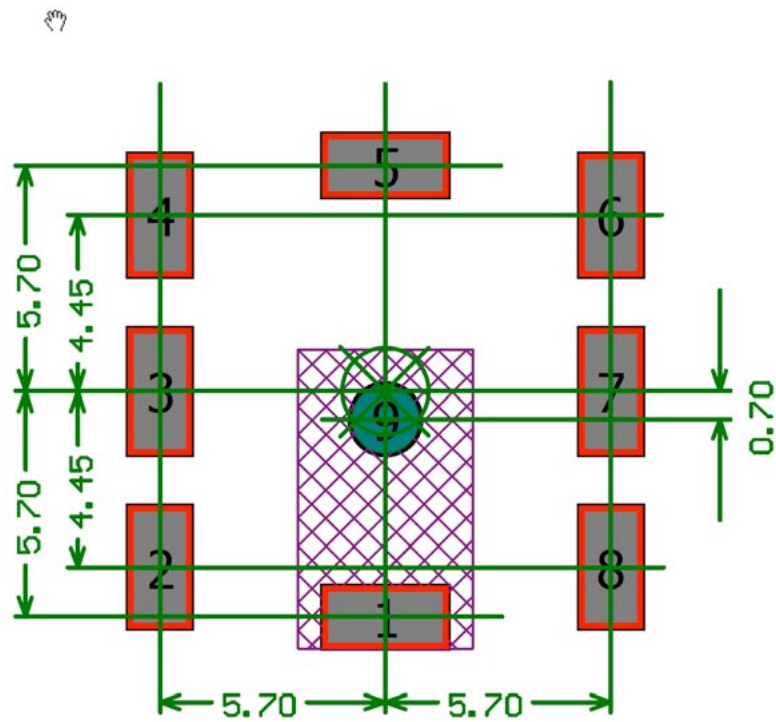
4.2.3 Solder Mask

Dimensions in mm



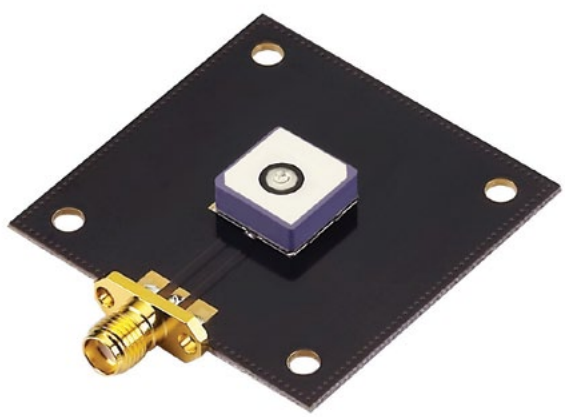
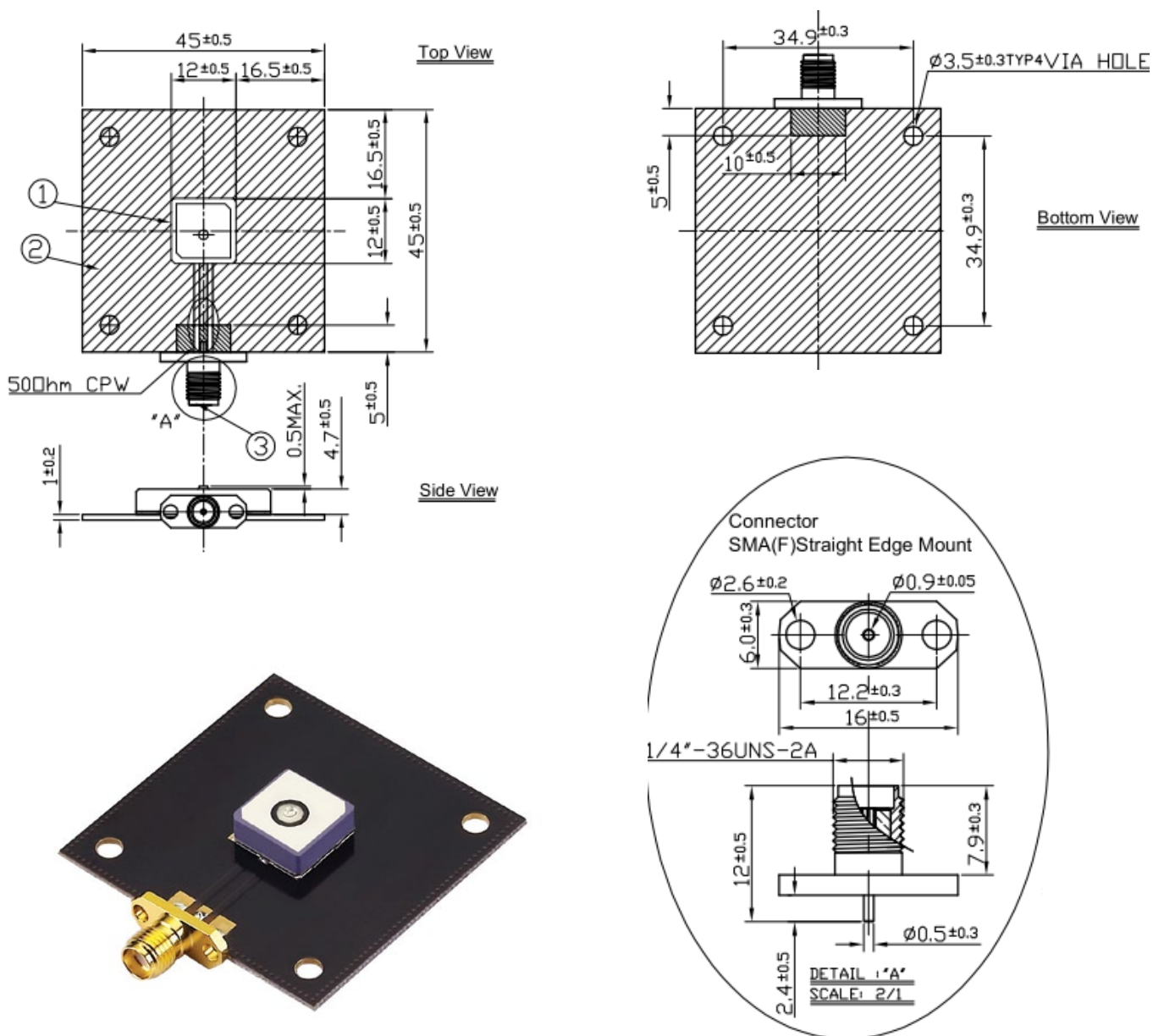
4.2.4 Composite

Dimensions in mm



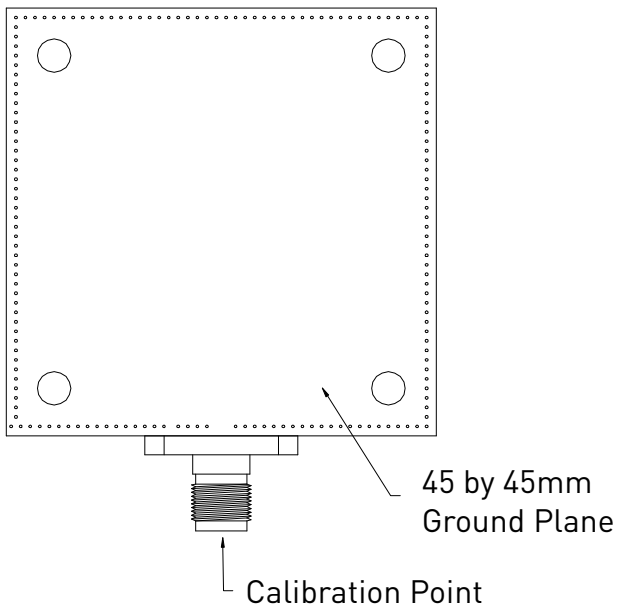
Copper Keepout Region

4.3 Test Jig and Dimension

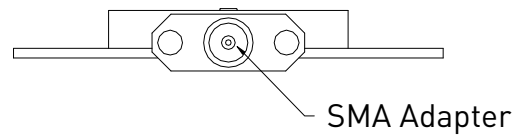
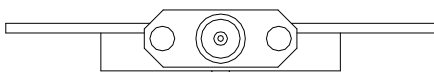
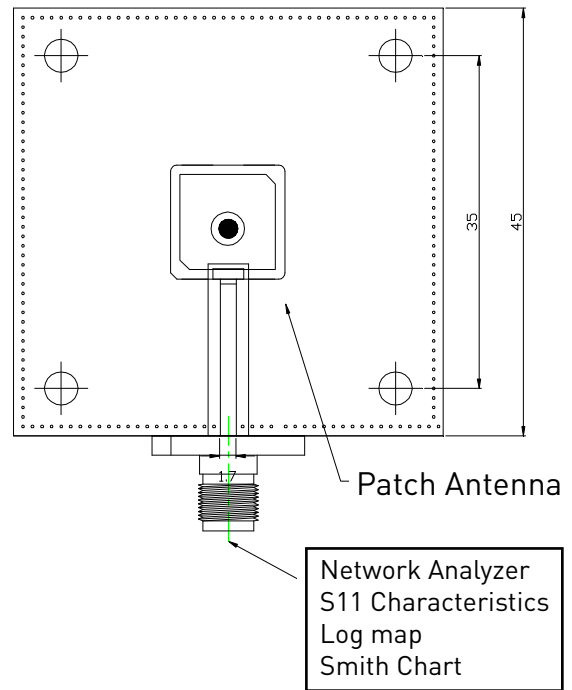


4.4 Test Fixture set up and measurements

Test Fixture



Antenna Setup
& Measurements

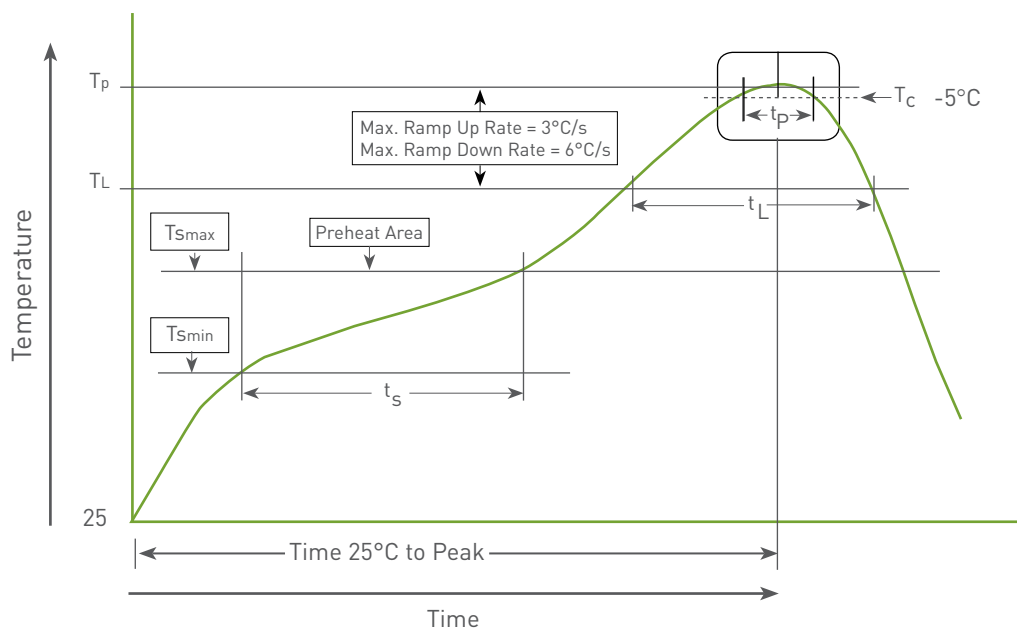


5. Recommended Reflow Soldering Profile

AP.10H can be assembled following Pb-free assembly. According to the Standard IPC/JEDEC J-STD-020C, the temperature profile suggested is as follows:

Phase	Profile Features	Pb-Free Assembly (SnAgCu)
PREHEAT	Temperature Min(Tsmin) Temperature Max(Tsmax) Time(ts) from (Tsmin to Tsmax)	150°C 200°C 60-120 seconds
RAMP-UP	Avg. Ramp-up Rate (Tsmax to TP)	3°C/second(max)
REFLOW	Temperature(TL) Total Time above TL (tL)	217°C 30-100 seconds
PEAK	Temperature (TP) Time (tp)	260°C 2-5 seconds
RAMP-DOWN	Rate	3°C/second(max)
Time from 25°C to Peak Temperature		8 minutes max.
Composition of solder paste		96.5Sn/3Ag/0.5Cu
Solder Paste Model		SHENMAO PF606-P26

The graphic shows temperature profile for component assembly process in reflow ovens

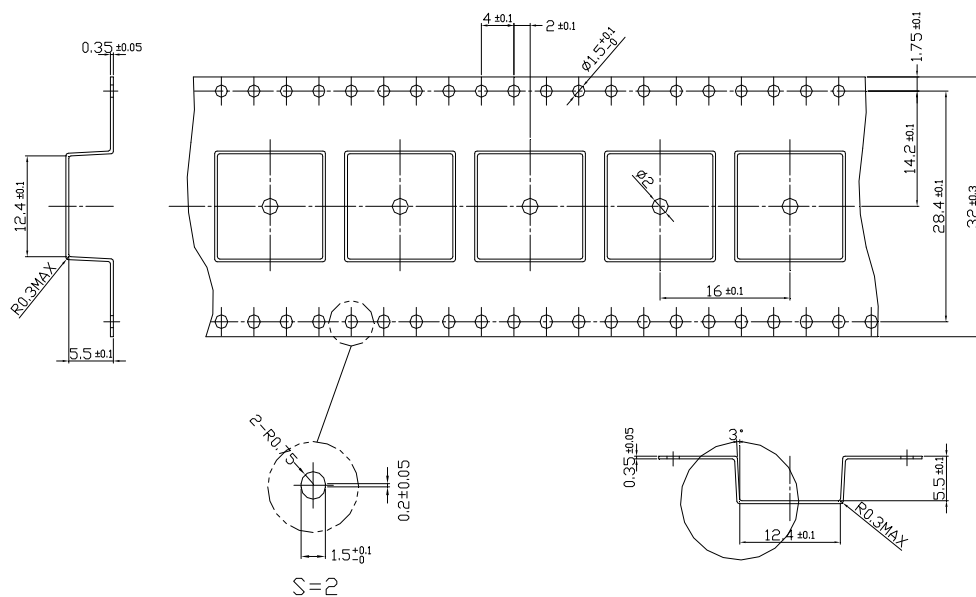
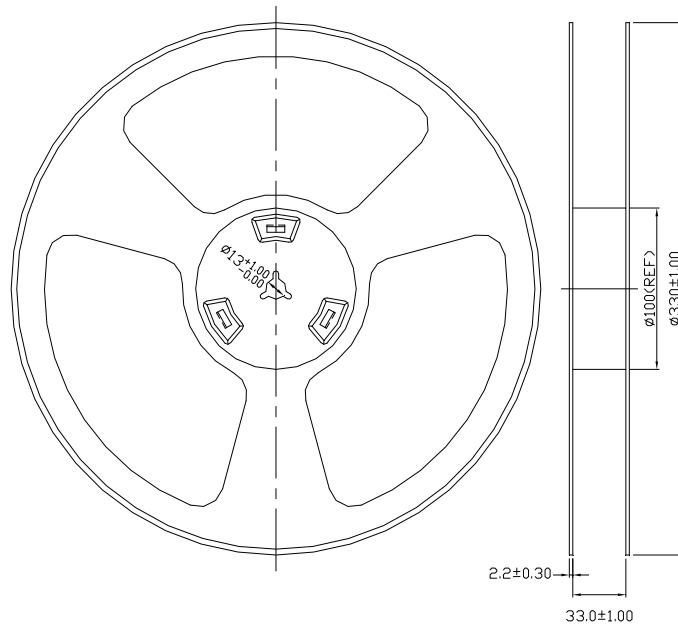


Soldering Iron condition: Soldering iron temperature $270^\circ\text{C} \pm 10^\circ\text{C}$.

Apply preheating at 120°C for 2-3 minutes. Finish soldering for each terminal within 3 seconds, if soldering iron temperature over $270^\circ\text{C} \pm 10^\circ\text{C}$ or 3 seconds, it will make cause component surface peeling or damage.

6. Packaging

500 pcs / reel / inner carton
5 reels in an outer carton (2500)



Taoglas makes no warranties based on the accuracy or completeness of the contents of this document and reserves the right to make changes to specifications and product descriptions at any time without notice.

Taoglas reserves all rights to this document and the information contained herein.

Reproduction, use or disclosure to third parties without express permission is strictly prohibited.

Copyright © Taoglas Ltd.

X-ON Electronics

Largest Supplier of Electrical and Electronic Components

Click to view similar products for [Antennas](#) category:

Click to view products by [Taoglas](#) manufacturer:

Other Similar products are found below :

[GAN30084EU](#) [930-033-R](#) [GW17.07.0250E](#) [1513563-1](#) [EXE902SM](#) [APAMPG-117](#) [MAF94383](#) [W3908B0100](#) [W6102B0100](#) [YE572113-30RSMM](#) [108-00014-50](#) [66089-2406](#) [SPDA17RP918](#) [A09-F8NF-M](#) [A09-F5NF-M](#) [RGFRA1903041A1T](#) [W3593B0100](#) [W3921B0100](#) [SIMNA-868](#) [SIMNA-915](#) [SIMNA-433](#) [W1044](#) [W1049B090](#) [A75-001](#) [WTL2449CQ1-FRSMM](#) [CPL9C](#) [EXB148BN](#) [0600-00060](#) [TRA9020S3PBN-001](#) [GD5W-28P-NF](#) [MA9-7N](#) [GD53-25](#) [GD5W-21P-NF](#) [C37](#) [MAF94051](#) [MA9-5N](#) [EXD420PL](#) [B1322NR](#) [QWFTB120](#) [MAF94271](#) [MAF94300](#) [GPSMB301](#) [FG4403](#) [AO-AGSM-OM54](#) [5200232](#) [MIKROE-2349](#) [WCM.01.0111](#) [MIKROE-2393](#) [MIKROE-2352](#) [MIKROE-2350](#)