



Datasheet

8 Ohm 6 Inch Round Dual Cone Speaker 30W

Part No:
SPKR.6.8.A

Description:

6" Dual Cone Speaker Round 8 Ohm with Packard Electric 12052832 connector
30W RMS

Features:

8 Ohm Impedance
Dual Cone
Rated Power 30W
High Sensitivity
Distortion Free
Dimensions: Ø160 x 64mm
Connector: Packard Electric 12052832
RoHS & REACH Compliant

1. Introduction	3
2. Specifications	4
3. Speaker Characteristics	5
4. Mechanical Drawing	6
5. Packaging	7
<hr/>	
Changelog	8

Taoglas makes no warranties based on the accuracy or completeness of the contents of this document and reserves the right to make changes to specifications and product descriptions at any time without notice. Taoglas reserves all rights to this document and the information contained herein.

Reproduction, use or disclosure to third parties without express permission is strictly prohibited.



1. Introduction



Designed for the rugged environment of heavy-duty trucks, Taoglas speakers deliver long lasting pure and true sound. Our 8-Ohm 6-inch round dual-cone, full range high sensitivity speaker series provides distortion free audio, high fidelity, high power handling (30W RMS) and is a low-cost solution for heavy-duty applications such as Transportation, Truck and RV applications. It is also primed for IoT applications such as Smart Home and Agriculture in which the use of speakers is becoming more commonplace. With this in mind Taoglas has decided to add speakers to our extensive product catalogue in order to make the customers journey easier, as now we can provide a high quality antenna solution and a high quality speaker solution from one trusted company.

Taoglas' slim design, full range speakers are easy to install. Multiple mounting hole patterns provide flexibility for attaching to a vehicle door panel or integrating into a home Hi-Fi speaker cabinet. Installation requires just two cables to be routed.

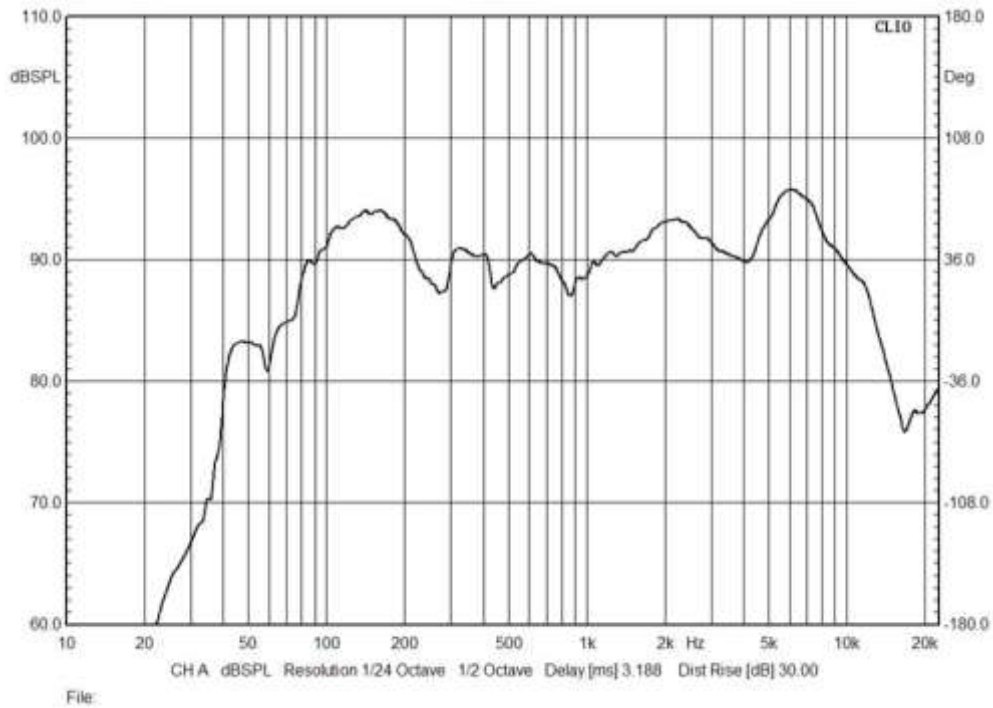
Contact your local Taoglas customer service team for more information or installation guidelines.

2. Specifications

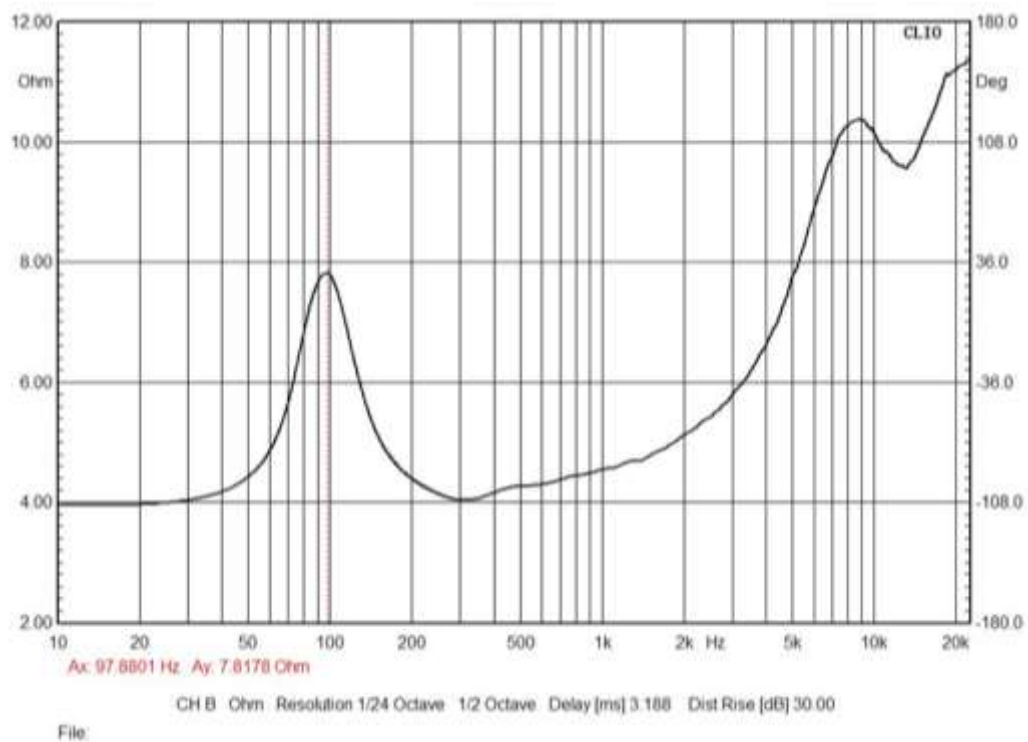
Electrical	
Impedance	8Ω
Rated Power	30W
Maximum Input Power	60W
Mechanical	
Height	64mm
Diameter	160mm
Weight	0.84Kg
Connector	Packard Electric 12052832
Environmental	
Temperature Range	-40°C to 85°C
Humidity	Non-condensing 65°C 95% RH

3. Speaker Characteristics

3.1 SPL

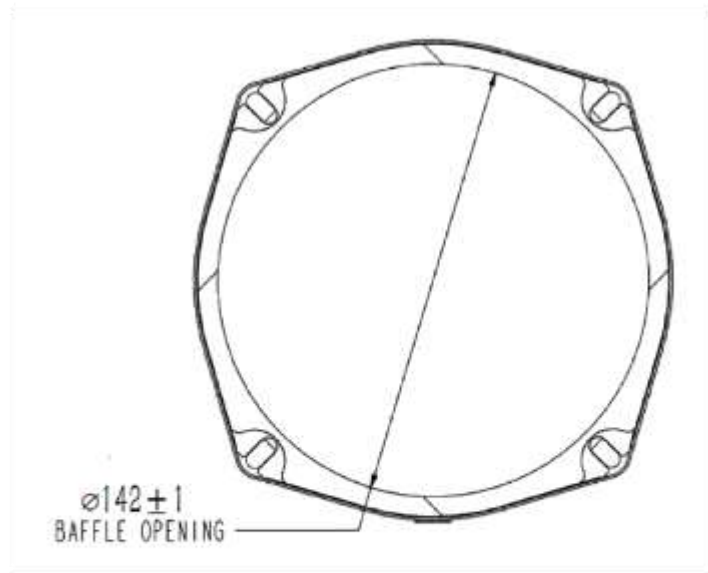


3.2 Impedance

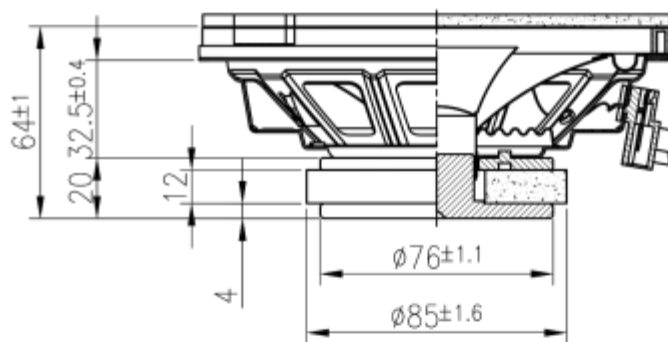


4. Mechanical Drawing (Units: mm)

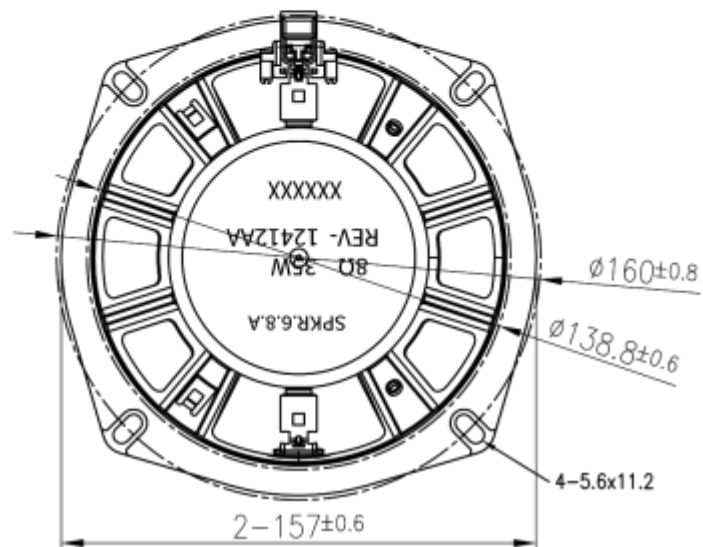
Top View



Side View

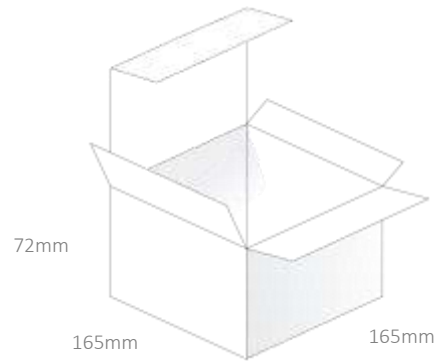


Bottom View

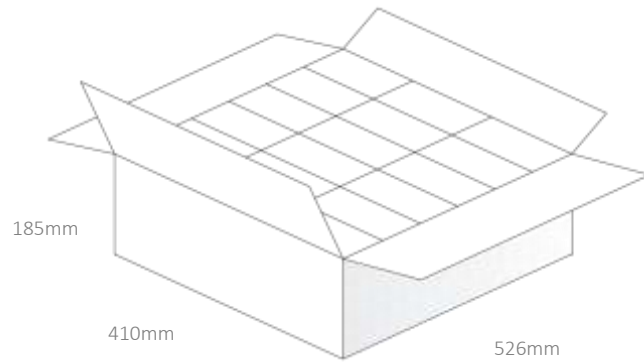


5. Packaging

1pcs SPKR.6.8.A per carton
 Dimensions – 165 x 165 x 72mm
 Weight – 0.84Kg



15pcs SPKR.8.4.A per carton
 Dimensions – 526 x 410 x 185mm
 Weight – 14.5Kg



Changelog for the datasheet

SPE-19-8-040 – SPKR.6.8.A

Revision: C (Current Version)	
Date:	2021-07-13
Changes:	Updated Mechanical Drawing
Changes Made by:	Jack Conroy

Previous Revisions

Revision: B	
Date:	2019-09-12
Changes:	
Changes Made by:	Jack Conroy

Revision: A	
Date:	2019-05-02
Changes:	
Changes Made by:	Jack Conroy



www.taoglas.com

X-ON Electronics

Largest Supplier of Electrical and Electronic Components

Click to view similar products for [Speakers & Transducers](#) category:

Click to view products by [Taoglas](#) manufacturer:

Other Similar products are found below :

[FC-30814-P127](#) [AS02832MR-2-R](#) [PB-1220PE](#) [PB-2015PQ](#) [900-00001](#) [AB2025B-LW50-R](#) [SWFK-31736-000](#) [PT-2065FW](#) [PT-4175W](#) [AT-2830-TW-LW35-R](#) [ED-30761-000](#) [CI-30120-A42](#) [SMT-0440-T-2-R](#) [PB-0927PQ](#) [BF-7083-000](#) [SMS2020-08H4.5 LF](#) [BDT1717-08H6.5W56MLF](#) [02094](#) [02097](#) [GSPK1003PN-8R0.2W-L100](#) [GSPK151103TN-8R0.2W](#) [GSPK2014035PN-8R0.5W-L100](#) [FS5353DS0830-H19.3](#) [TE082703-8](#) [XMLP040BD21F](#) [AS03608MR-LW100-R](#) [24520](#) [SMT-0540-S-2-R](#) [1450069](#) [9091653](#) [9091661](#) [IPS-G6000-5](#) [9090231](#) [FS4014-4-2W](#) [PBM4-13.B29R.A115.0663](#) [PBM4-13.B31R.A115.0663](#) [PBM4-13.B33R.A115.0663](#) [PBM4-13.B35R.A115.0663](#) [A-10-6-BG360-HD1Z-GA-M4Z-ZW](#) [A-10-6-BG410-HD1Z-AA-AGZ-ZW](#) [A-10-6-BG410-HD1Z-AA-M4Z-ZW](#) [A-10-6-BG410-HD1Z-FC-AGZ-ZW](#) [A-10-6-BG410-HD1Z-GA-M4Z-ZW](#) [A-10-6-BG310-HD1Z-AA-AGZ-ZW](#) [A-10-6-BG310-HD1Z-AA-M4Z-ZW](#) [A-10-6-BG310-HD1Z-GA-M4Z-ZW](#) [A-10-6-BG316-HD1Z-AA-AGZ-ZW](#) [A-10-6-BG316-HD1Z-AA-M4Z-ZW](#) [A-10-6-BG325-HD1Z-AA-AGZ-ZW](#) [A-10-6-BG325-HD1Z-AA-M4Z-ZW](#)