

## SPECIFICATION

|              |   |   |
|--------------|---|---|
| Part No.     | : | <b>TI.10.0111</b>   |
| Product Name | : | 433MHz ISM Band Terminal Antenna<br>Omni-directional, with a peak gain of 0dBi                                |
| Features     | : | SMA(M) Plug Connector<br>Low Profile and Robust Handling<br>46mm Antenna Dimensions<br>IP65<br>RoHS Compliant |
| Picture      | : |   |



## 1. Introduction

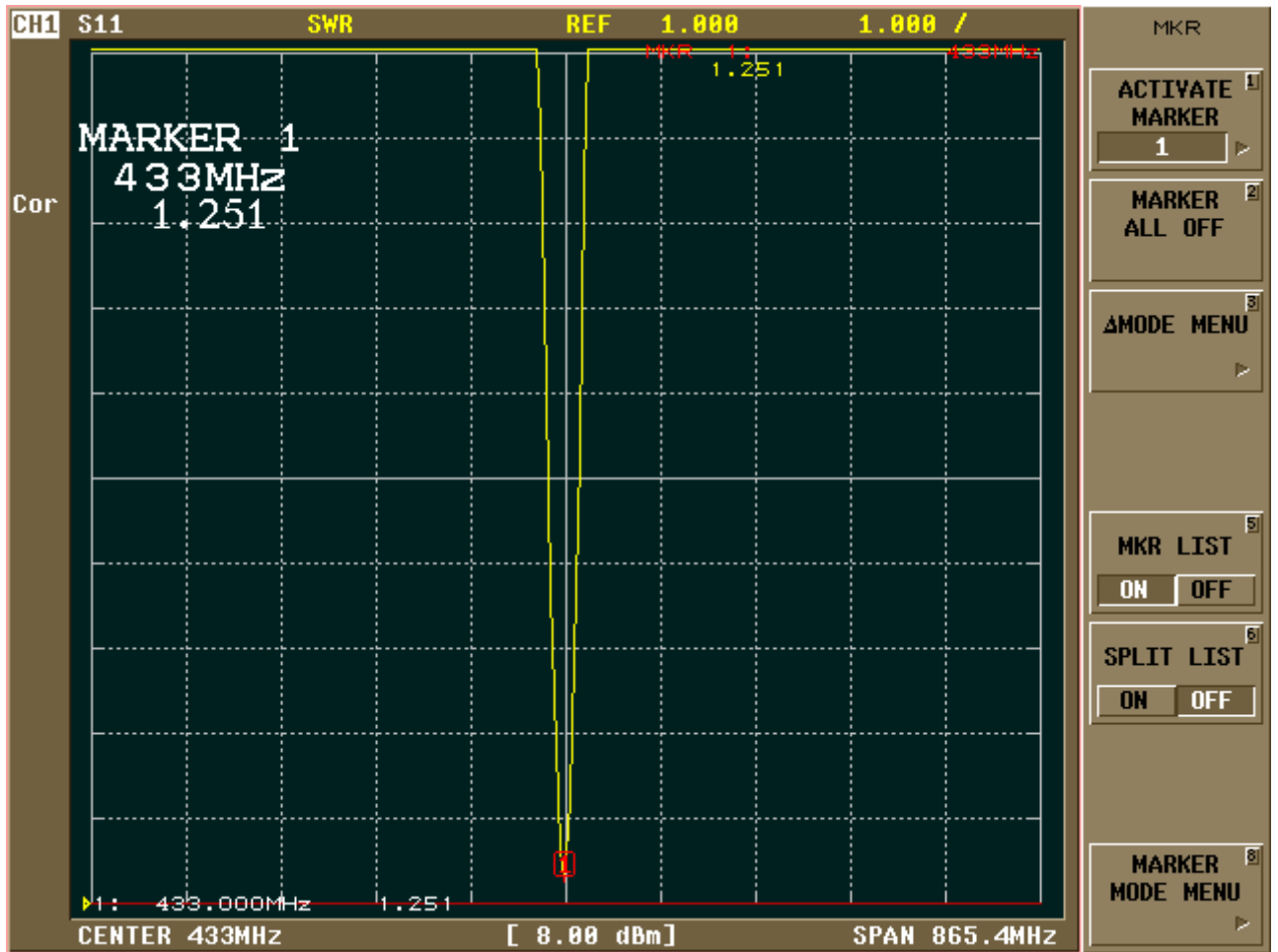
The TI.10 series are high performance 433MHz omni-directional antennas. The TI.10 terminal SMA plug mount antenna is ideal for mobile small form factor applications. At only 46mm in length Omni-directional with a peak gain 0dBi ensures constant reception and transmission. The antenna structure is designed for robust handling and the housing is made with TPE giving reliable performance in tough environments.

## 2. Key Antenna Performance Indicators

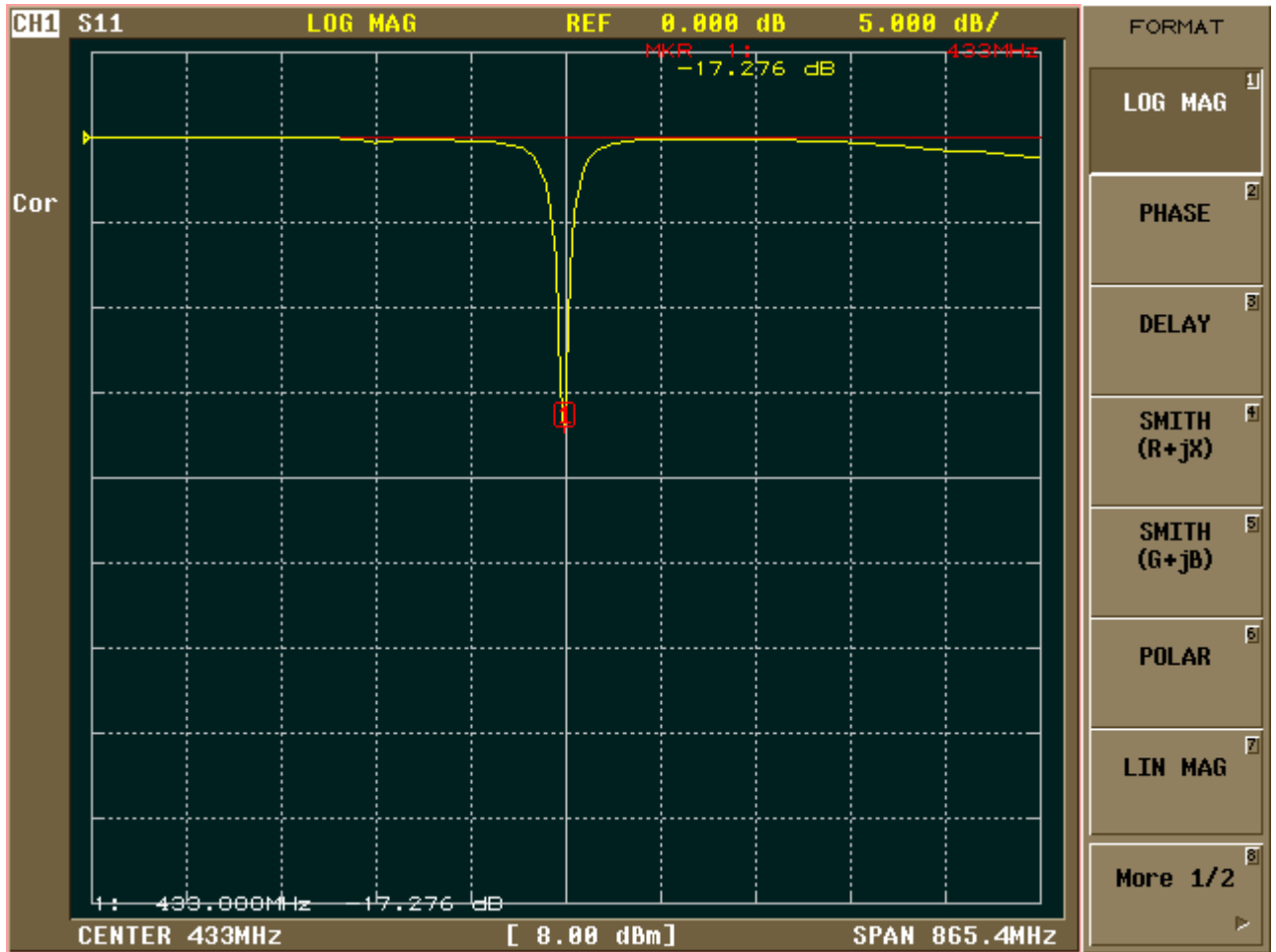
| Parameter             | Specification    |
|-----------------------|------------------|
| Applications          | 433MHz ISM Band  |
| Frequency             | 433.05~434.79MHz |
| Peak Gain             | 0dBi             |
| Return Loss           | -17dB            |
| Impedance             | 50 Ohms          |
| Radiation Pattern     | Omni-directional |
| Polarization          | Linear           |
| VSWR                  | ≤1.5:1           |
| Power handling        | 5 W              |
| Housing               | TPE              |
| Connector             | SMB(F) plug      |
| Operation Temperature | -40°C to + 85°C  |
| Storage Temperature   | -40°C to + 105°C |
| Relative Humidity     | 40% to 95%       |
| Dimensions            | Length: 46mm     |
| Weight                | 8.5g             |

### 3. Antenna Parameters

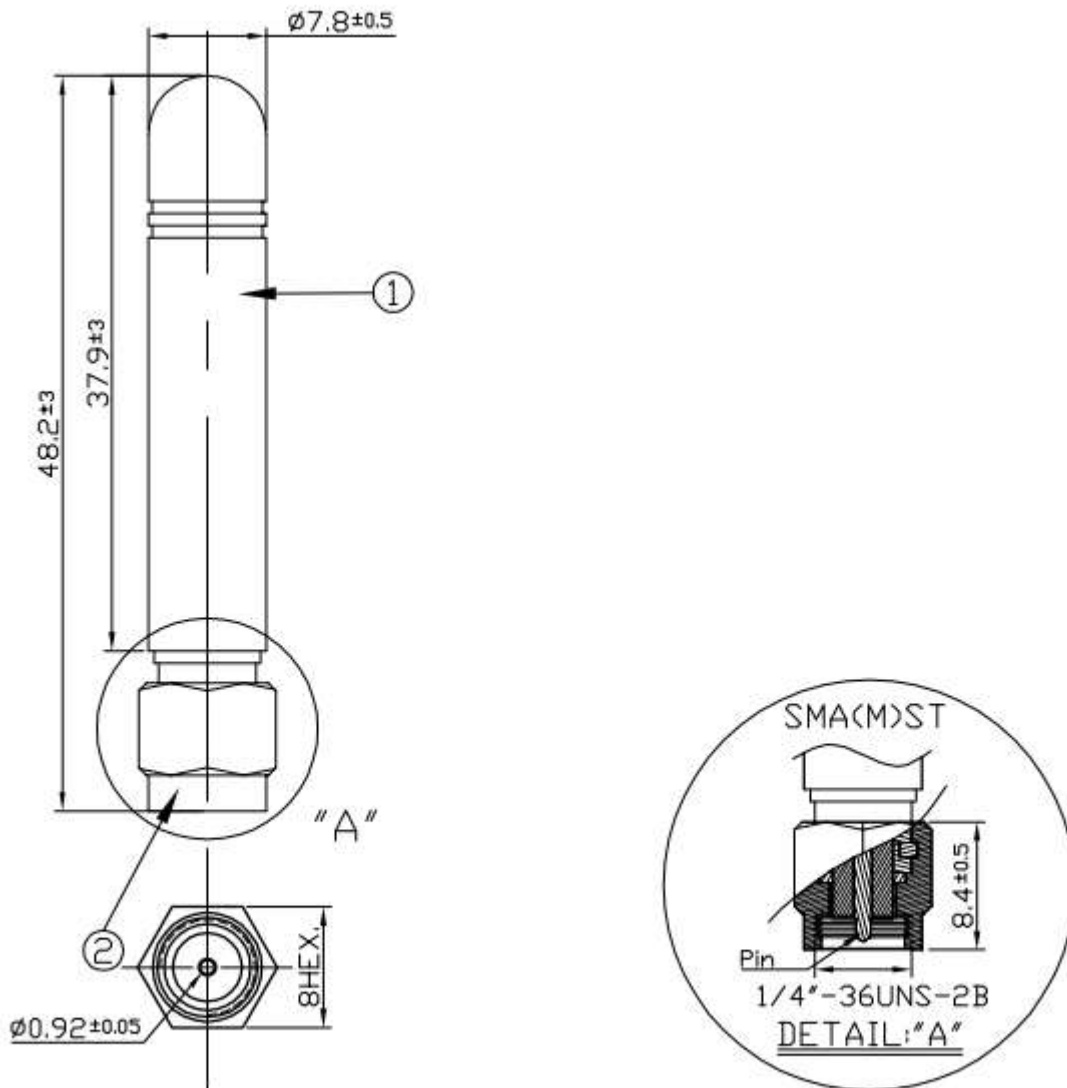
#### 3.1 VSWR Data



### 3.2 Return Loss Data



## 4. Mechanical Drawing



|   | Name          | Material | Finish | Quantity |
|---|---------------|----------|--------|----------|
| ① | Antenna Cover | TPU      | Black  | 1        |
| ② | SMA(M)ST      | Brass    | Gold   | 1        |

## X-ON Electronics

Largest Supplier of Electrical and Electronic Components

*Click to view similar products for [Antennas](#) category:*

*Click to view products by [Taoglas](#) manufacturer:*

Other Similar products are found below :

[GAN30084EU](#) [930-033-R](#) [GW17.07.0250E](#) [1513563-1](#) [EXE902SM](#) [APAMPG-117](#) [MAF94383](#) [W3908B0100](#) [W6102B0100](#) [YE572113-30RSMM](#) [108-00014-50](#) [66089-2406](#) [SPDA17RP918](#) [A09-F8NF-M](#) [A09-F5NF-M](#) [RGFRA1903041A1T](#) [W3593B0100](#) [W3921B0100](#) [SIMNA-868](#) [SIMNA-915](#) [SIMNA-433](#) [W1044](#) [W1049B090](#) [A75-001](#) [WTL2449CQ1-FRSMM](#) [CPL9C](#) [EXB148BN](#) [0600-00060](#) [TRA9020S3PBN-001](#) [Y4503](#) [GD5W-28P-NF](#) [MA9-7N](#) [GD53-25](#) [GD5W-21P-NF](#) [C37](#) [MAF94051](#) [MA9-5N](#) [EXD420PL](#) [B1322NR](#) [QWFTB120](#) [MAF94271](#) [MAF94300](#) [GPSMB301](#) [FG4403](#) [AO-AGSM-OM54](#) [5200232](#) [MIKROE-2349](#) [WCM.01.0111](#) [MIKROE-2393](#) [MIKROE-2352](#)