



TAOGLAS®



Datasheet

BMS Transformer/CMC

Part No:
TM40601ANL

Description:

Transformer with Common Mode Choke for Battery Management System
6pin SMT

Features:

Industrial grade
RoHS & REACH Compliant

1. Introduction	3
2. Specifications	4
3. Mechanical	5
4. Electrical	6
5. Packaging & Storage	7
<hr/>	
Changelog	8

Taoglas makes no warranties based on the accuracy or completeness of the contents of this document and reserves the right to make changes to specifications and product descriptions at any time without notice. Taoglas reserves all rights to this document and the information contained herein. Reproduction, use or disclosure to third parties without express permission is strictly prohibited.



1. Introduction



Featuring a compatible footprint with industry BMS Transformers, and designed to work in demanding automotive environmental conditions, the Taoglas TM40601ANL is a BMS Transformer with Common Mode Choke of 12 pins and Dual channel for Operation voltage of 1500VDC.

The Taoglas Magnetics Product Team have over fifteen years of experience in magnetics design and high-quality manufacturing. With ever expanding portfolio, we provide trusted products and services to our customers within a wide range of applications such as:

- Electric Vehicle
- Energy Storage Systems
- Data Center UPS
- Solar energy storage
- Renewable Energy

Taoglas offers a full line of BMS transformers, and common mode chokes for energy storage systems that require serial port safety isolation and EMI noise suppression. These transformers are designed for battery systems with large voltage differences that demand component-to-component isolation.

The Taoglas BMS Transformers portfolio is intended to perform in highly energy-efficiency modern vehicles such as EVs, HEVs, and PHEVs.

All Taoglas parts meet AEC-Q200 requirements for automotive applications. For more information on the range of products or for assistance with integration, contact your regional Taoglas customer support team.

2. Specifications

Electrical Performance @25°C	
OCL	150µH ~450µH @100KHz, 0.1V (-40°C TO +125°C)
Turns Ratio (±3%)	1:1
Leakage Inductance	0.5µH Max @100KHz, 0.1V
DCR	0.70 ohm Max @Transformer side
	1.20 ohm @CM choke side
Insertion Loss	-0.25dB Max @ 4MHz
Return Loss (Z OUT = 100 OHM ±1%)	-20dB Min @ 4MHz
Common Mode Rejection Ratio	-35dB Min @ 1-10MHz
	-20dB Min @ 10-1000MHz
Working Voltage	1000VDC for 15 year
Hi-Pot	4300VDC, 1mA, 60S

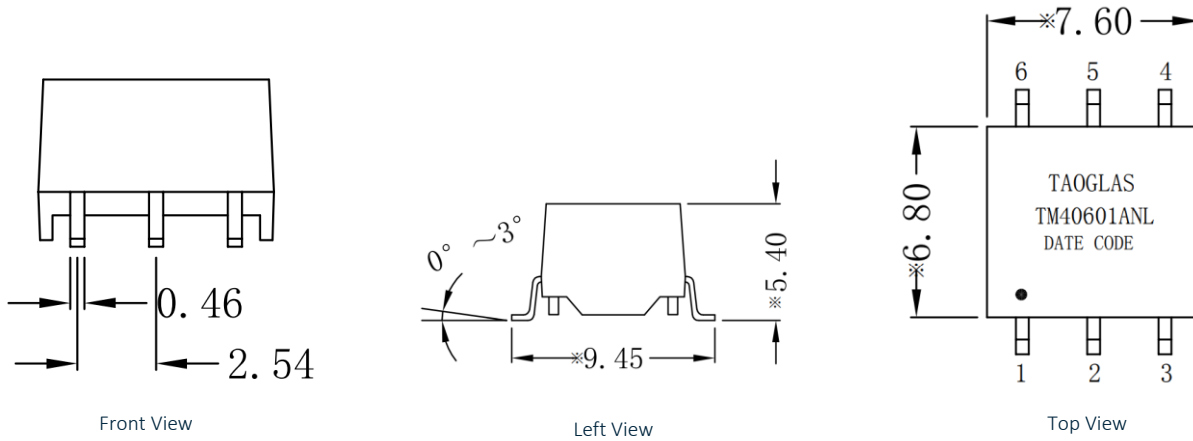
Environmental Specifications	
Operating Temperature	-40°C TO +125°C

Compliance	
UL recognized - FILE NO. E528697	
RoHS Compliant	

Storage requirements	
Humidity	MSL - 1
Storage Temperature	-50°C TO +125°C

3. Mechanical

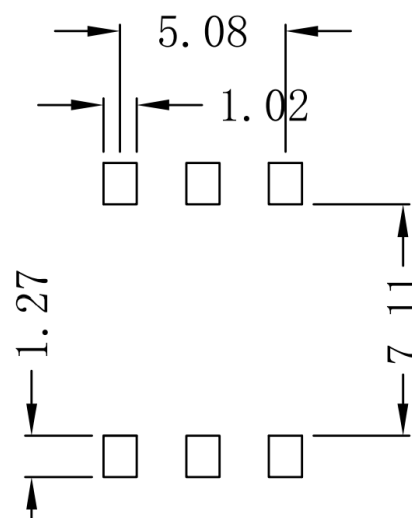
3.1 Mechanical Drawings



Mechanical Specifications	
Length	7.60 mm
Width	9.45 mm
Height	5.40 mm
Mounting Style	Surface Mount (SMT)

Dimensions are in millimeters with the following tolerances: X.XX = ± 0.25

3.2 Pad Layout

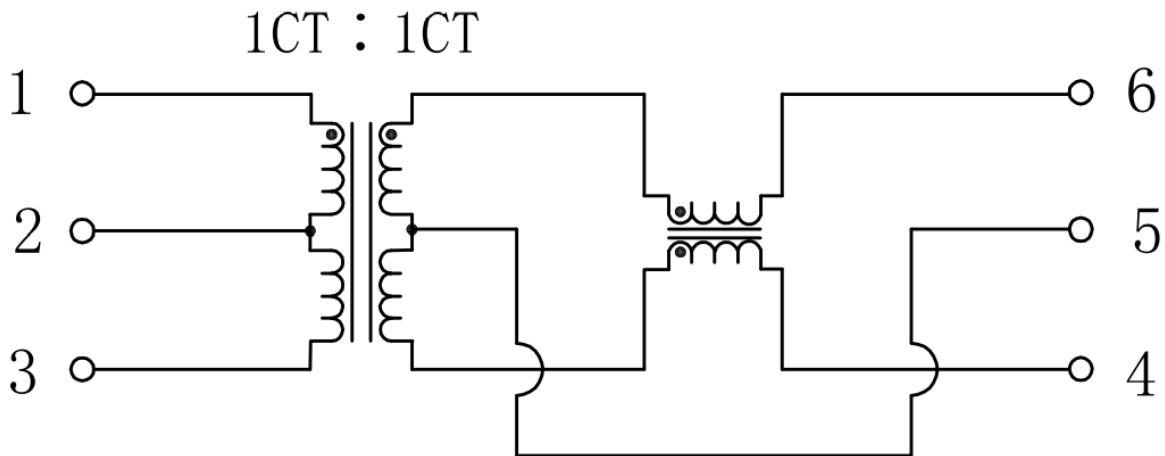


Suggested Pad layout

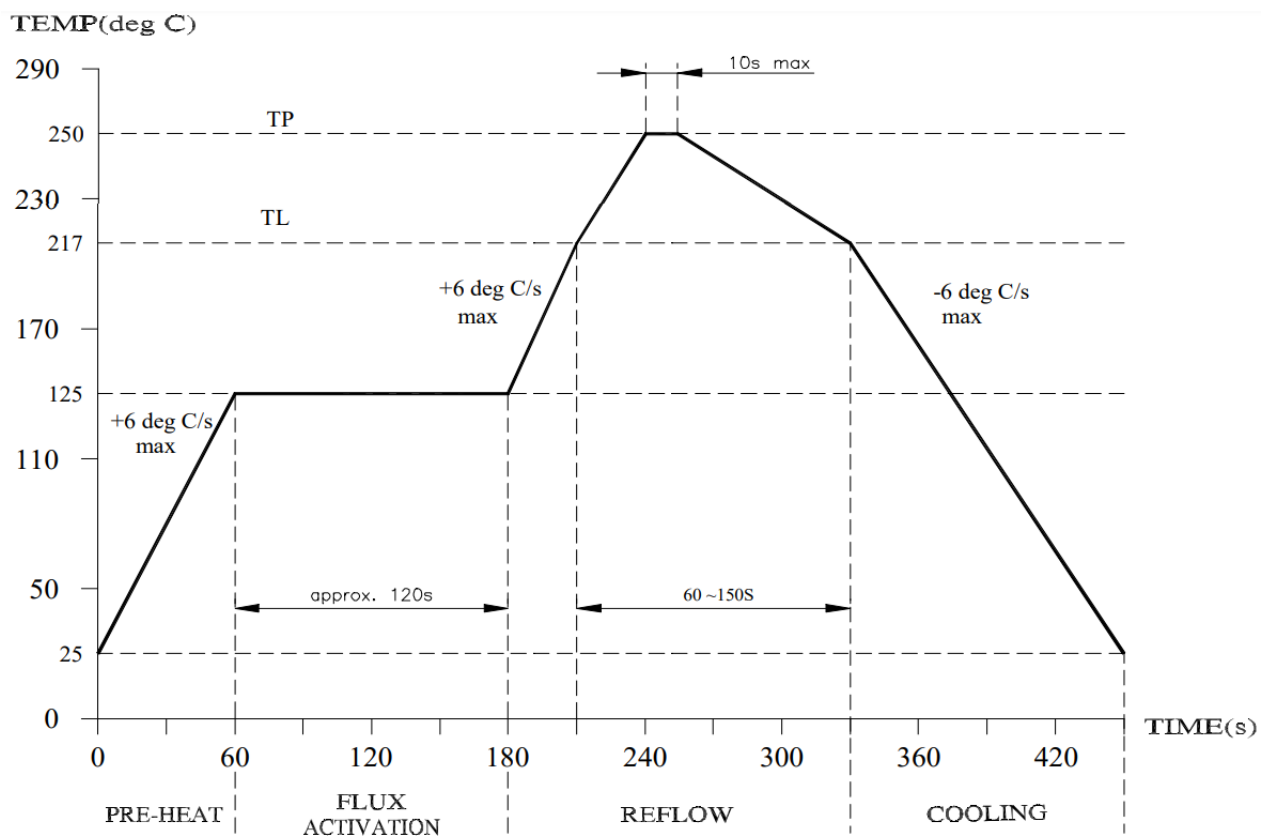
Dimensions are in millimeters with the following tolerances: X.XX = ± 0.10

4. Electrical

4.1 Electrical Drawings



4.2 Profile of Reflow Solder



5. Packaging and Storage

5.1 SPQ

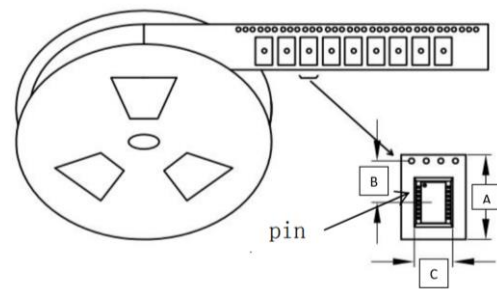
1000 pcs/reel

A (Carrier Tape Width): 24 ± 0.3 mm

B (Sprocket hole to Cavity center): 11.5 ± 0.2 mm

C (Cavity width): 9.9 ± 0.2 mm

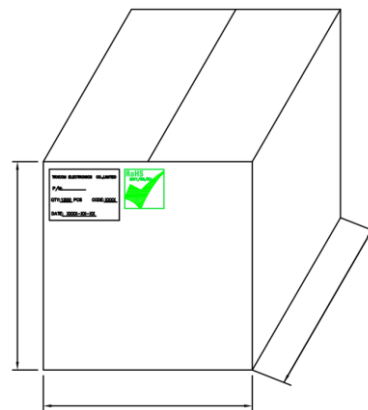
Reel weight: 850 g



1CTN = 6 reels = 6000 pcs

Carton dimensions: 370*370*250 mm

Carton Weight: 7 kg



Changelog

Changelog for the datasheet

SPE-22-8-037 – TM40601ANL

Revision: D

Date:	2024-07-22
Notes:	Spec update
Author:	Javier Vasena

Previous Revisions

Revision: A (Original First Release)

Date:	2022-11-08
Notes:	
Author:	Javier Vasena

Revision: C

Date:	2024-07-16
Notes:	Change from BMS Transformer
Author:	Javier Vasena

Revision: B

Date:	2023-04-27
Notes:	Change from BMS Transformer class to LAN Transformer 10/100 Base-T
Author:	Javier Vasena



www.taoglas.com



X-ON Electronics

Largest Supplier of Electrical and Electronic Components

Click to view similar products for [Audio Transformers](#) / [Signal Transformers](#) category:

Click to view products by [Taoglas](#) manufacturer:

Other Similar products are found below :

[CU4S0506AT-2655-H1](#) [MGPWT-00449-P](#) [PE-64961](#) [1812WBT2-4](#) [BX1194WNL](#) [1879479-1](#) [PA1528ANL](#) [T1137NLT](#) [PE-65848FNLT](#)
[H5019EFNL](#) [CX2045ALNLT](#) [TG1G-E201NV6LF](#) [MGPWT-00059-P](#) [MGPWT-00266-P](#) [MGPWT-00278-P](#) [MGPWT-00431-P](#) [TTC-100](#)
[TTC-143-H](#) [TTC-5032-1](#) [4-1879391-0](#) [100213](#) [T1142NL](#) [TG1G-S001NZLF](#) [T1124NL](#) [1879732-1](#) [2-1879391-5](#) [MABA-010321-CT1A42](#)
[TX1341NL](#) [H0013FNL](#) [H5020FNL](#) [H2009FNLT](#) [H5004NLT](#) [S553-5999-52-F](#) [SCMS7D43AY100PT1](#) [T5008NLT](#) [PE-68517T](#) [MGPWT-](#)
[00339-P](#) [H5014FNLT](#) [TX1473NLT](#) [PE-69011NLT](#) [CX2043LNLT](#) [H7137FNLT](#) [H1259NLT](#) [TX1344NLT](#) [LM-LP-1005L](#) [H0013NLT](#)
[S558-5500-JV](#) [TX1193NLT](#) [T7015NL](#) [T1124NLT](#)