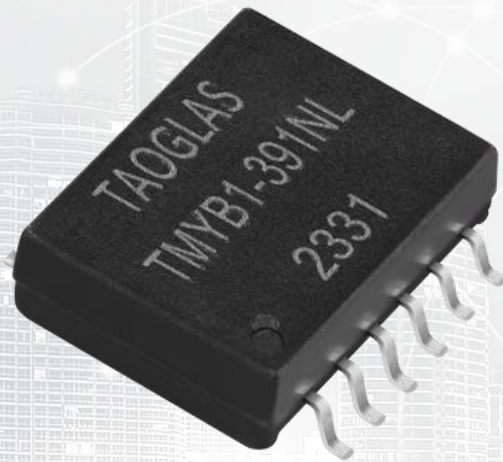




TAOGLAS®



Datasheet

BMS Transformer/CMC

Part No:
TMYB1-391NL

Description:

Transformer with Common Mode Choke for Battery Management System
12 pin SMT

Features:

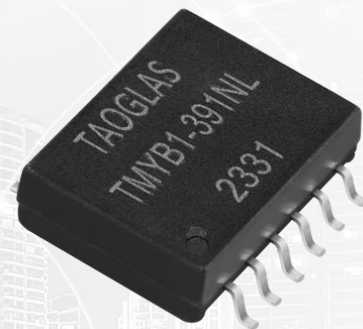
Dual channel
Working voltage 1500 VDC
IATF 16949
Automotive grade

1. Introduction	3
2. Specifications	4
3. Mechanical	5
4. Electrical	6
5. Packaging	7
<hr/>	
Changelog	8

Taoglas makes no warranties based on the accuracy or completeness of the contents of this document and reserves the right to make changes to specifications and product descriptions at any time without notice. Taoglas reserves all rights to this document and the information contained herein. Reproduction, use or disclosure to third parties without express permission is strictly prohibited.



1. Introduction



Featuring a compatible footprint with industry BMS Transformers, and designed to work in demanding automotive environmental conditions, the Taoglas TMYB1-391NL is a BMS Transformer with Common Mode Choke of 12 pins and Dual channel for Operation voltage of 1500VDC.

The Taoglas Magnetics Product Team have over fifteen years of experience in magnetics design and high-quality manufacturing. With ever expanding portfolio, we provide trusted products and services to our customers within a wide range of applications such as:

- Electric Vehicle
- Energy Storage Systems
- Data Center UPS
- Solar energy storage
- Renewable Energy

Taoglas offers a full line of BMS transformers, and common mode chokes for energy storage systems that require serial port safety isolation and EMI noise suppression. These transformers are designed for battery systems with large voltage differences that demand component-to-component isolation.

The Taoglas BMS Transformers portfolio is intended to perform in highly energy-efficiency modern vehicles such as EVs, HEVs, and PHEVs.

All Taoglas parts meet AEC-Q200 requirements for automotive applications. For more information on the range of products or for assistance with integration, contact your regional Taoglas customer support team.

2. Specifications

Electrical Performance @25°C	
OCL	150μH ~ 450μH @100KHz/0.1V (-40°C to +125°C)
Turns Ratio (±2%)	1:1
Leakage Inductance	0.5μH Max @100KHz/0.1V
DCR	0.80 ohm Max @Transformer side
	1.00 ohm Max @CM choke side
Insertion loss	-0.25dB Max @4MHz
Return Loss	-22dB Min @4MHz
CMRR	-35dB Min @1-100MHz
	-28dB Min @100-200MHz
Insulation & Creepage	> 3mm
Working voltage	1500VDC
Hi-Pot	4300VDC, 1mA, 60S

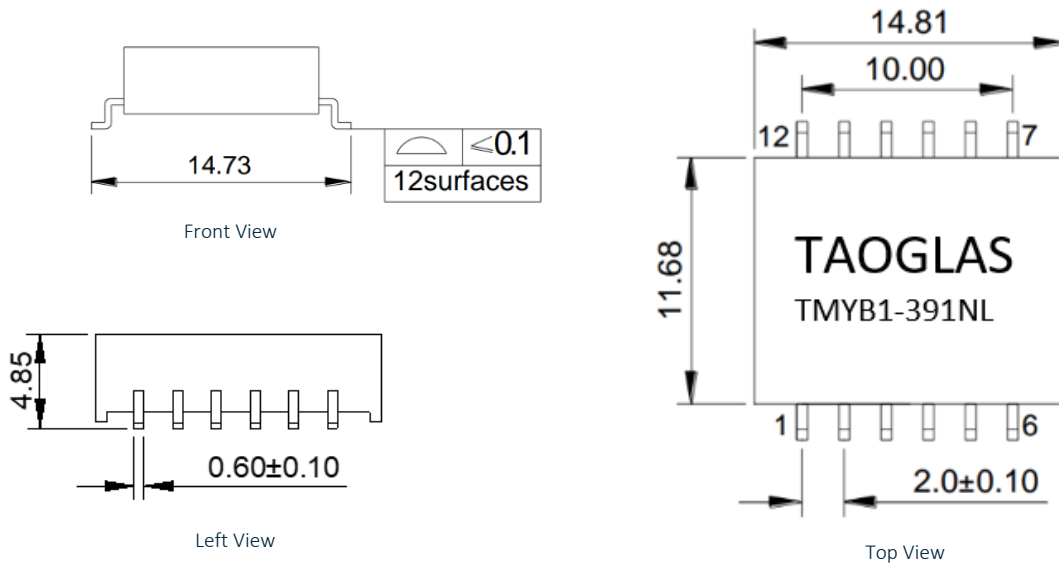
Environmental Specifications	
Operating Temperature	-40°C TO +125°C

Compliance	
UL recognized - FILE NO. E528697	
RoHS Compliant	

Storage requirements	
Humidity	MSL - 1
Storage Temperature	-50°C TO +125°C

3. Mechanical

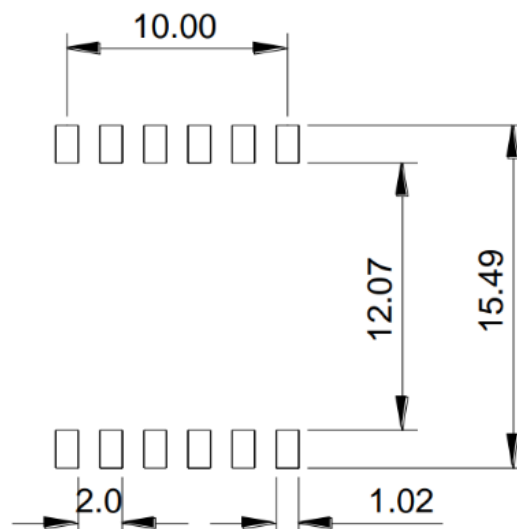
3.1 Mechanical Drawings



Mechanical Specifications	
Length	14.81 mm
Width	11.68 mm
Height	4.85 mm
Weight	0.98 g
Mounting Style	Surface Mount (SMT)

Dimensions are in millimeters with the following tolerances: X.XX = ± 0.25

3.2 Pad Layout

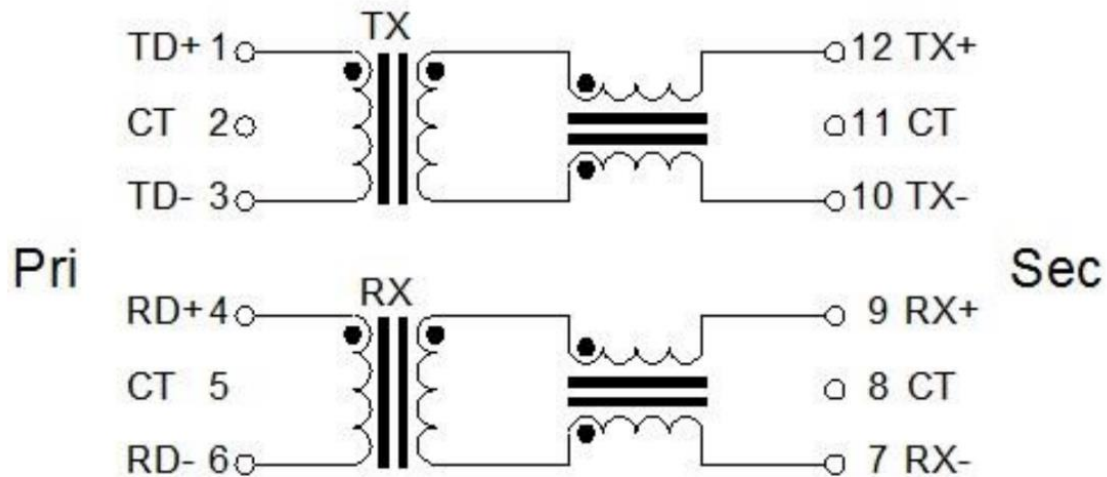


Suggested pad layout

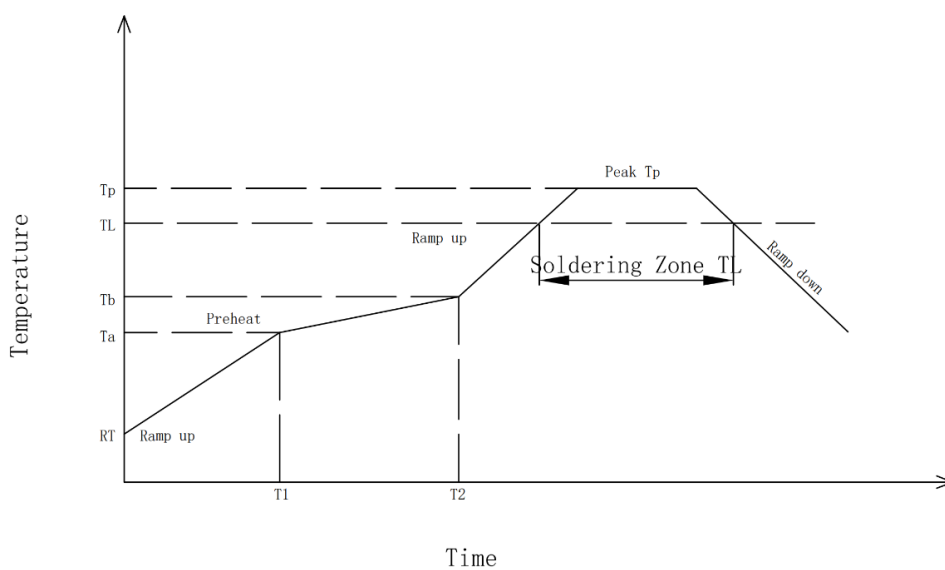
Dimensions are in millimeters with the following tolerances: X.XX = ± 0.10

4. Electrical

4.1 Electrical Drawings



4.2 Profile of Reflow Solder



Preheat :
 Temperature (Ta-Tb):150-200°C
 Time(T1-T2):60-180s

Holding Temperature:217°C
 Time (TL):60-150s

Max Temperature (Tp):250(+0/-5°C)
 Max Time (Tp):30Sec±10Sec

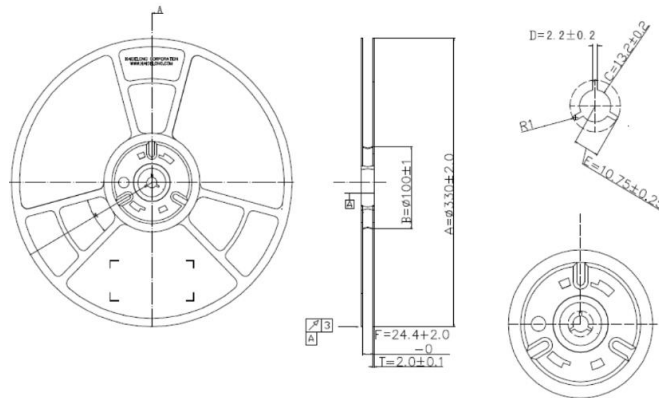
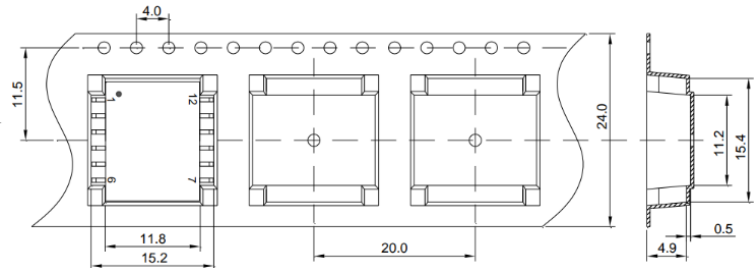
The average speed:3°C/S Max
 The average cooling speed:6°C/S Max

From 25°C to Products out of the furnace:6 minutes Max

5. Packaging

5.1 SPQ

1 reel = 400 pcs
 Reel (mm) = 24x11.5x9.7
 Weight = 900g



1 Carton = 10 reels = 4000 pcs
 Carton dimensions: 365*365*350 mm
 Carton Weight: 9.5 kg



5.2 Label

Taoglas Limited	
P/N NO: XXXXXXXX	
QYT: XXX PCS	DC: XXXX
DATE: XXXX-XX-XX	

SPQ Label (8x5cm)

Taoglas Limited	
P/N NO: XXXXXXXX	
PO: XXXXXXXX	B/N: XXXXXXXX
QYT: XXX PCS	DC: XXXX
DATE: XXXX-XX-XX	

Carton Label (8x5cm)

Changelog

Changelog for the datasheet

SPE-23-8-199 – TMYB1-391NL

Revision: C

Date:	2024-07-22
Notes:	Spec update
Author:	Javier Vasena

Previous Revisions

Revision: A (Original First Release)

Date:	2023-10-01
Notes:	
Author:	Javier Vasena

Revision: B

Date:	2024-07-01
Notes:	Updated in electrical specs and mechanical dimensions
Author:	Javier Vasena



www.taoglas.com



X-ON Electronics

Largest Supplier of Electrical and Electronic Components

Click to view similar products for [Power Transformers](#) category:

Click to view products by [Taoglas](#) manufacturer:

Other Similar products are found below :

[F-181U](#) [F-204U](#) [F-206U](#) [F-227X](#) [F-23U](#) [F-264U](#) [F-267U](#) [F-35U](#) [F-412X](#) [F-55X-1](#) [F-68U](#) [F-71U](#) [F-72Z](#) [F-74U](#) [F-83A](#) [F-84AC](#) [F-85U](#) [F-86U](#) [F-9U](#) [PCT-02](#) [PCT-03](#) [PCT6630](#) [PF2.5-20](#) [PPC-14](#) [PPC-46](#) [PPC-58](#) [PSD4-36](#) [GSD-150](#) [11E009H](#) [11E012H](#) [DSW-2120](#) [DSW-224](#) [DSW-228](#) [DSW-310](#) [DSW-3120](#) [DSW-356](#) [DSW-412](#) [DSW-4120](#) [DSW-424](#) [DSW-448](#) [DSW-456](#) [DSW-556](#) [DSW-610](#) [DSW-6120](#) [DSW-624](#) [DSWC-712](#) [EN216B](#) [N-39X](#) [N-49X](#) [N-4MG-1](#)