



TAOGLAS®



Datasheet

Wall Mount Bracket

Part No:
WMB.A.SMA.F.305111

Description:

Wall Mount Bracket for SMA Antennas

Features:

- Mounts Flush to Wall
- 3m Low Loss TGC-200 Cable
- All accessories included
- Designed for all Taoglas SMA Terminated products
- SMA(M) Connector at the end of cable run
- RoHS and REACH Compliant

1. Introduction	3
2. Specifications	4
3. Mechanical Drawing	6
4. Typical Layout	8
5. Evaluation Board Drawing	7
6. Recommended Solder Reflow	8
7. Packaging	9
<hr/>	
Changelog	10

Taoglas makes no warranties based on the accuracy or completeness of the contents of this document and reserves the right to make changes to specifications and product descriptions at any time without notice. Taoglas reserves all rights to this document and the information contained herein. Reproduction, use or disclosure to third parties without express permission is strictly prohibited.



1. Introduction



The Taoglas WMB.A.SMA.F.305111 Wall Mount Bracket is designed to be compatible to any SMA Male terminated Antenna. The WMB bracket is made from a robust ABS and PC Alloy for installations where strength of installation is key.

Typical applications include:

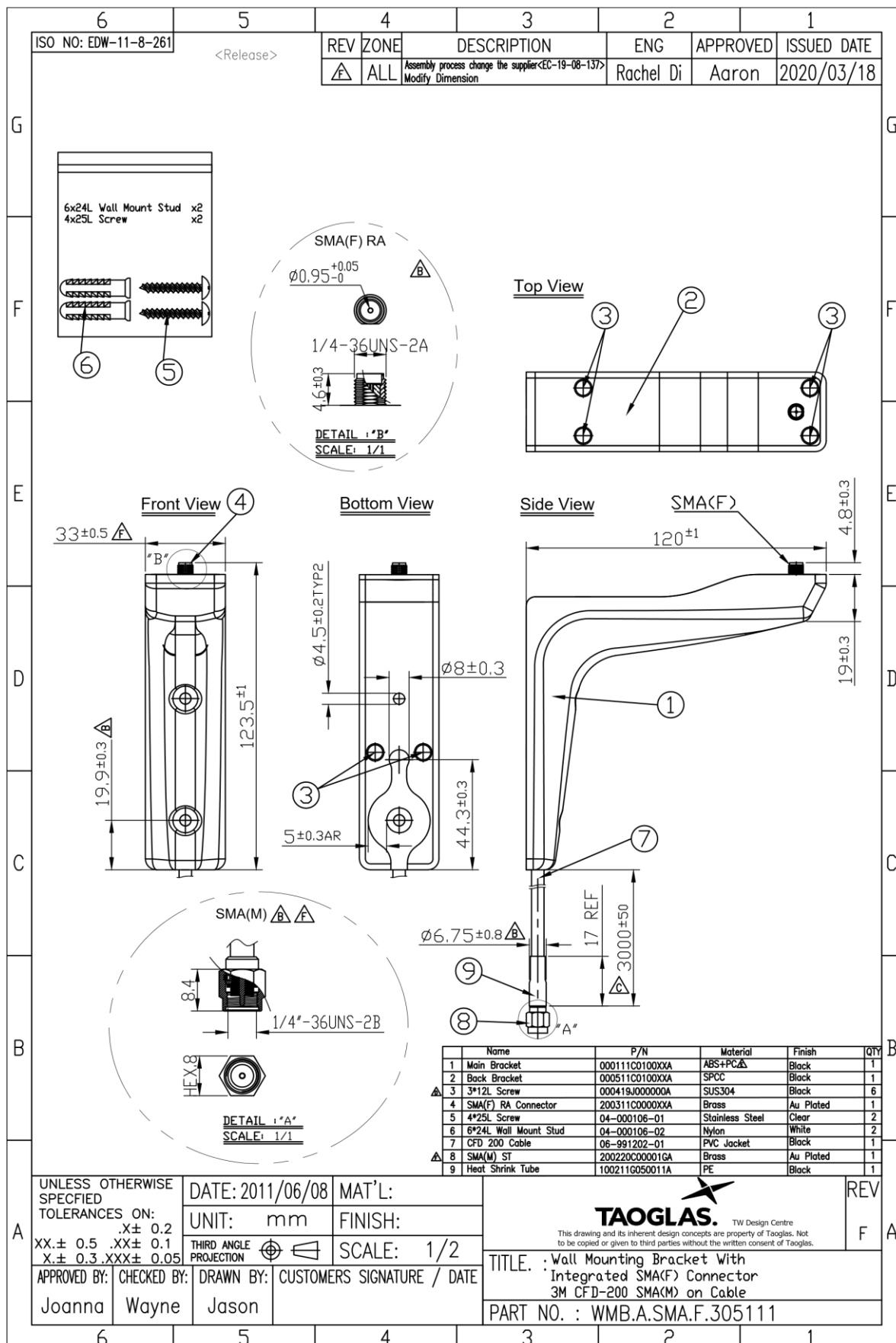
- Connected Enterprise
- Smart Industrial
- Warehousing Private Networks
- Building Sites

The WMB.A.SMA.F.305111 is supplied with 3m of low loss TGC-200 cable for optimum performance and terminated with an SMA Male connector, for connections with most industry standard gateways and routers. Customized cable lengths and connectors are readily available, please contact your regional Taoglas customer support team for more information.

2. Specifications

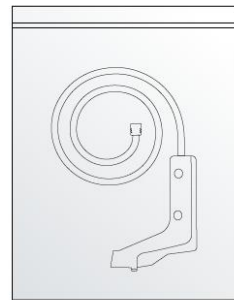
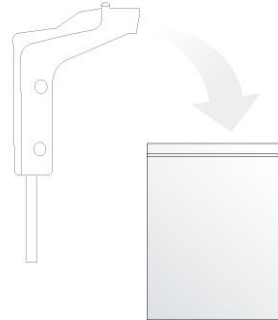
Mechanical	
Wall Profile	123.5 x 33mm
Length from Wall to edge	120 mm
Material	ABS + PC Alloy
Connector on Bracket	SMA Female
Cable	3m of TGC-200
Connector on Cable	SMA Male Straight
Environmental	
Salt Spray [ISO 9227:2012]	48 hours
Storage Temperature	-40°C to 85°C

3. Mechanical Drawing (Units: mm)

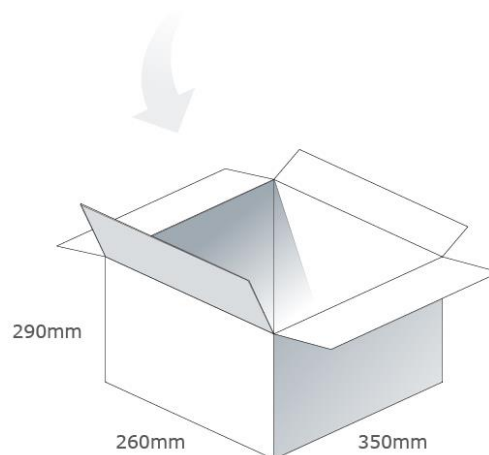


4. Packaging

1pcs WMB.A.SMA.F.305111



Confirm the quantity per carton
 24 pcs per carton
 Carton Label
 Carton(mm) 350 x 260 x 290



Changelog for the datasheet

SPE-23-8-095 – WMB.A.SMA.F.305111

Revision: A (Original First Release)	
Date:	2023-04-25
Notes:	
Author:	Jack Conroy

Previous Revisions



TAOGLAS®

www.taoglas.com



X-ON Electronics

Largest Supplier of Electrical and Electronic Components

Click to view similar products for [Antenna Accessories](#) category:

Click to view products by [Taoglas](#) manufacturer:

Other Similar products are found below :

[HKIT-MTA9101-001](#) [YMST4](#) [NMOHPCN518](#) [MB830](#) [MB825](#) [MB820](#) [GRO](#) [W9909](#) [HKIT-MTA9100-001](#) [HKIT-LPx-001](#) [GPS-17519](#)
[MABT8M](#) [KH-IPEX3-0.81](#) [HJ-IPEX1-1.13-SMA-L=100mm](#) [3C0224M01-003](#) [KHA\(RG1.37\)-TX300B-IPEX](#) [KHA\(RG1.37\)-TX80B-IPEX](#)
[KHA\(RG1.37\)-TX140B-IPEX](#) [KH-IPEXA-SMAKWE-B060H](#) [KHA\(RG1.37\)-TX90B-IPEX](#) [KH-IPEX-SMA-RG137-120MM](#) [KH-SMAKW-](#)
[IPEX4-RG1.13-B300](#) [KH-SMAKW-IPEX4-RG0.81-B90](#) [KH-SMAKW-IPEX4-RG1.37-B80](#) [KH-SMAKW-IPEX4-RG1.37-B160](#) [KH-](#)
[SMAKW-IPEX-RG0.81-B70](#) [KH-SMAKW-IPEX-RG0.81-B140](#) [KHA-\(RG1.13\)-TX120-IPEX-221](#) [KHA\(RG1.37\)-TX70B-IPEX](#) [KH-](#)
[SMAKW-IPEX-RG1.78-250](#) [KH-SMAKW-IPEX4-RG0.81-B200](#) [KH-SMAKW-IPEX4-RG1.13-B70](#) [KH-SMAKW-IPEX4-RG1.37-B90](#) [KH-](#)
[SMAJ-221-RG1.78-160](#) [KH-SMAJ-IPEX-RG1.37-B70](#) [KH-SMAJ-IPEX-RG1.37-B60](#) [KH-FL2SMAK-IPEX3-RG0.81-B160](#) [KH-FL2SMAK-](#)
[IPEX4-RG0.81-B100](#) [KH-FL2SMAK-IPEX-RG1.13-B70](#) [KH-FL2SMAK-IPEX4-RG1.13-B90](#) [KH-FL2SMAK-IPEX-RG1.37-B60](#) [KH-](#)
[FL2SMAK-IPEX-RG1.37-B120](#) [KH-FL2SMAK-IPEX4-RG1.37-B80](#) [KH-FL2SMAK-IPEX4-RG1.37-B160](#) [KH-FL2SMAK-IPEX-RG178-](#)
[100](#) [KH-FL2SMAK-IPEX-RG178-200](#) [KH-SMAJ-221-RG1.13-B70](#) [KH-SMAJ-221-RG1.37-B90](#) [KH-FL2SMAK-IPEX-RG0.81-B50](#) [KH-](#)
[FL2SMAK-IPEX3-RG0.81-B300](#)