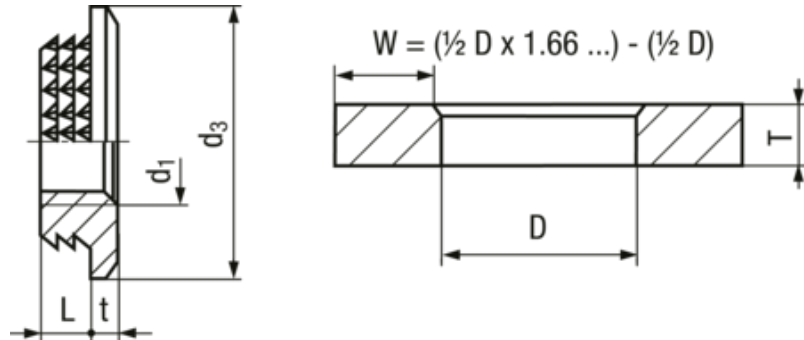


# Tappex® MICROBARB®

BN 37905 - Press-in threaded Inserts with micro knurling, for thermoplastics



Manufacturer



Product description

- Patented external form
- Particularly suitable for thin section materials
- Especially for applications in electronics
- Installation options: press-fitting, ultrasonic insertion, heat insertion

Additional information

Installation data hole location: The quoted dimensions represent standard values and may vary depending on the material of the molded part. It is advisable to run trials prior to series production.

Headform

Large

Brand

Tappex®

Brandtype

MICROBARB®

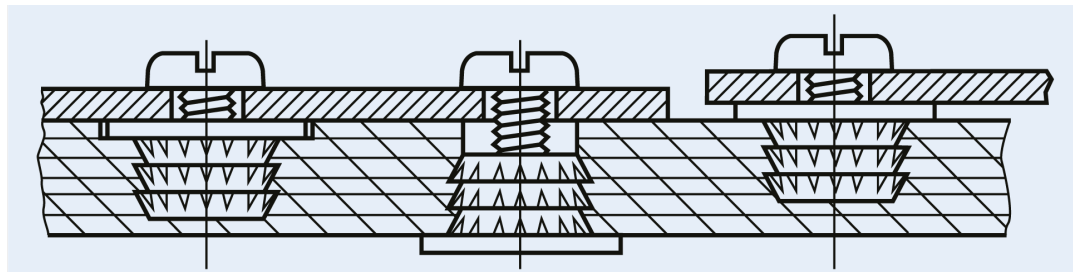
Material

Brass

Surface

plain

Illustration assembly



Article no	Code	Thread size d1	d3+0/-0,2	t+0/-0,2	D	T min	L+0/-0,2	Barbs
3794935	0006-M2	M2	4,9	0,55	3,3	1,45	1,35	2
3795064	0006-M2,5	M2,5	5,6	0,85	4,15	2	1,85	2
3795191	0006-M3	M3	6,1	0,85	4,66	2	1,85	2

Article no	Code	Thread size d1	d3+0/-0,2	t+0/-0,2	D	T min	L+0/-0,2	Barbs
3794813	0006-M4	M4	7,9	1	6,13	3,2	3	3
3794488	0006-M5	M5	10	1,4	7,7	3,2	3	3
3794912	0006-M6	M6	12,7	1,7	9,55	3,2	3	3
3794789	0006-M8	M8	14,3	1,7	11,55	4,75	4,55	3
3794831	0006-M10	M10	16	3,15	13,05	4,75	4,55	3

## **X-ON Electronics**

Largest Supplier of Electrical and Electronic Components

*Click to view similar products for [Tappex](#) manufacturer:*

Other Similar products are found below :

[003M4](#) [004M3](#) [002M2](#) [002M4](#) [002M6](#) [002M8](#)