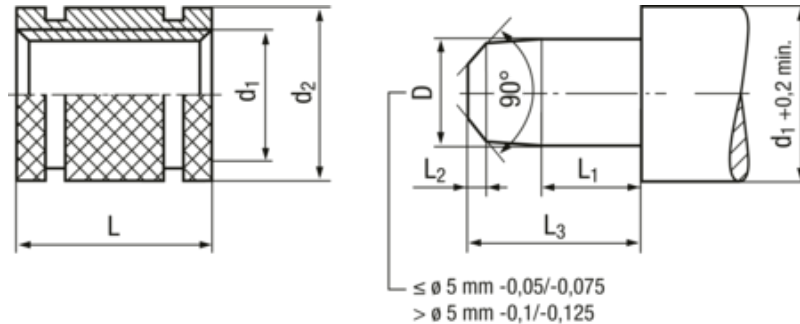


# Tappex® HiMOULD®

BN 37868 - Threaded inserts for insert moulding with through hole thread, for thermoplastics and thermosets



Manufacturer



Product description

- Sharp increase in axial forces due to additional grooves
- Can be plugged onto smooth locating pins
- Free of swarf after molding process
- Very thin-walled, particularly suitable for applications with low wall thickness

Brand

Tappex®

Brandtype

HiMOULD®

Material

Brass

Surface

plain

Grooves from thread size M3

Article no	Code	Thread size d1	L ±0,1	d2 ±0,25	D	L1	L2	L3 +0/-0,25
9064630	117-M3	M3	4,725	4,15	2,5	3,13	0,75	4,4
3794914	017-M2	M2	3,925	3,4	1,6	2	0,7	3,6
3794675	017-M2,5	M2,5	4,725	4,15	2,05	2,56	0,7	4,4
3794574	017-M3-10	M3	4,825	4,15	2,5	3,13	0,75	4,4
3795276	117-M4	M4	7,125	5,9	3,3	4,13	0,85	6,8
3794964	117-M5	M5	7,825	6,6	4,2	5,25	0,9	7,5
3794492	117-M6	M6	9,925	9,25	5	6,25	0,95	9,6
3794945	117-M8	M8	12,475	11,5	6,8	8,5	1	12,15
3794946	117-M10	M10	13,975	13,9	8,5	10,63	1	13,65

## **X-ON Electronics**

Largest Supplier of Electrical and Electronic Components

*Click to view similar products for [Tappex](#) manufacturer:*

Other Similar products are found below :

[003M4](#) [004M3](#) [002M2](#) [002M4](#) [002M6](#) [002M8](#)