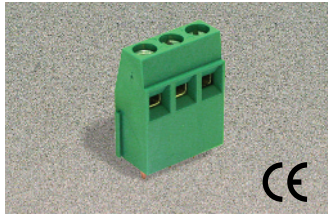


5.08mm Pin Spacing – Fixed PCB Blocks

Pin Spacing: 5.08mm
 Orientation: Vertical - Tall
 Clamp Type: Screw Cage
 Design: Modular



MMT-15xx

ELECTRICAL

	Current	Voltage	Wire Range
	10A	300V	30-16 AWG
	13.5A	250V	1.5mm ² stranded 1.5mm ² solid

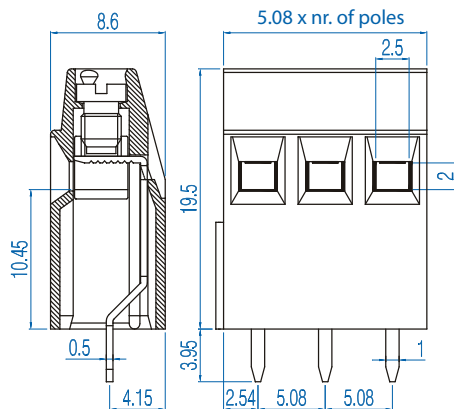
INSTALLATION DATA

Screw Size	M3	PCB Hole Size	1.3mm
Torque	0.5Nm (4.5lbf-in)	Stripping Lgth.	5.9mm

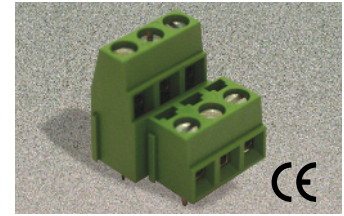
MATERIAL

Body	Polyamide	Screw	Galvanized Steel
Flammability Class	UL94V-0	Terminal	Tin-Plated Brass
Temperature Limit	105°C UL 125°C IEC	Clamp	Nickeled Brass
Color	Green		

No. Poles	Cat. #	Length (mm)	Std. Pk.
2	MMT-152	10.2	100
3	MMT-153	15.2	100
4	MMT-154	20.3	50
5	MMT-155	25.4	50
6	MMT-156	30.5	50
7	MMT-157	37.5	50
8	MMT-158	40.6	50
9	MMT-159	45.7	50
10	MMT-1510	50.8	50
11	MMT-1511	55.9	50
12	MMT-1512	61.0	50
13	MMT-1513	66.0	20
14	MMT-1514	71.1	20
15	MMT-1515	76.2	20
16	MMT-1516	81.3	20
17	MMT-1517	86.4	20
18	MMT-1518	91.4	20
19	MMT-1519	96.5	20
20	MMT-1520	101.6	20
21	MMT-1521	106.7	20
22	MMT-1522	111.8	20
23	MMT-1523	116.8	20
24	MMT-1524	121.9	20



Pin Spacing: 5.08mm
 Orientation: Vertical - Double Level
 Clamp Type: Screw Cage
 Design: Modular - Offset



MVD-15xx

ELECTRICAL

	Current	Voltage	Wire Range
	10A ^①	300V	30-16 AWG
	13.5A	250V	1.5mm ² stranded 1.5mm ² solid

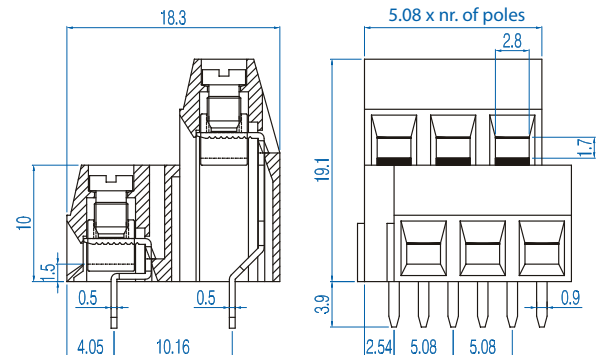
INSTALLATION DATA

Screw Size	M3	PCB Hole Size	1.3mm
Torque	0.5Nm (4.5lbf-in)	Stripping Lgth.	6.7mm

MATERIAL

Body	Polyamide	Screw	Galvanized Steel
Flammability Class	UL94V-0	Terminal	Tin-Plated Brass
Temperature Limit	105°C UL 125°C IEC	Clamp	Nickeled Brass
Color	Green		

No. Poles	Cat. #	Length (mm)	Std. Pk.
4	MVD-152	12.7	100
6	MVD-153	17.8	100
8	MVD-154	22.9	50
10	MVD-155	27.9	50
12	MVD-156	33.0	50
14	MVD-157	38.1	50
16	MVD-158	43.2	50
18	MVD-159	48.3	50
20	MVD-1510	53.3	50
22	MVD-1511	58.4	20
24	MVD-1512	63.5	20
26	MVD-1513	68.6	20
28	MVD-1514	73.7	20
30	MVD-1515	78.7	20
32	MVD-1516	83.2	20
34	MVD-1517	88.9	20
36	MVD-1518	94.0	20
38	MVD-1519	99.1	20
40	MVD-1520	104.1	10
42	MVD-1521	109.2	10
44	MVD-1522	114.3	10
46	MVD-1523	119.4	10
48	MVD-1524	124.5	10
50	MVD-1525	129.5	10



^①13.5A Factory Wiring - UL

X-ON Electronics

Largest Supplier of Electrical and Electronic Components

Click to view similar products for [Fixed Terminal Blocks](#) category:

Click to view products by [Altech](#) manufacturer:

Other Similar products are found below :

[00175550202](#) [MBE-1512](#) [MBE-1520](#) [MBE-154](#) [MBE-156](#) [MBES-1510](#) [MBES-153](#) [MBES-156](#) [MH-2512](#) [MHE-132](#) [MHE-133](#) [MHE-163](#)
[MI-254 \(35\)](#) [MI-272](#) [8739](#) [880507](#) [880508](#) [MPT-275](#) [1546551-6](#) [ELM023100](#) [ELM10110G](#) [ELVD12100](#) [BA311TU](#) [BA411SU](#) [MV-152](#)
[MV-253/NCNOC](#) [MV-254-D](#) [MV-255](#) [MV-462](#) [MV-472](#) [MV-493](#) [MVE-252](#) [MVE-253](#) [MVE-258](#) [MVE-273](#) [MVEB-153](#) [1700096](#)
[1702246](#) [1705142](#) [1712417](#) [1713020](#) [1713088](#) [1776118-2](#) [1790852](#) [1-796689-8](#) [1-796692-6](#) [1800001](#) [1800114](#) [1823215](#) [1838462](#)