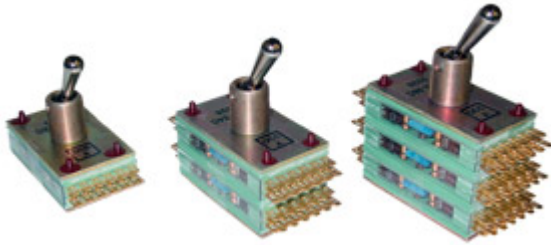


## 802/902 Dust Tight Toggle Switches

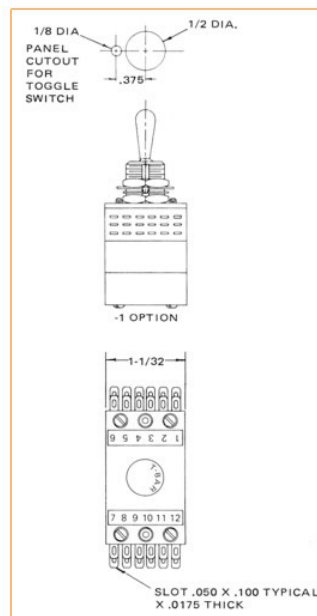
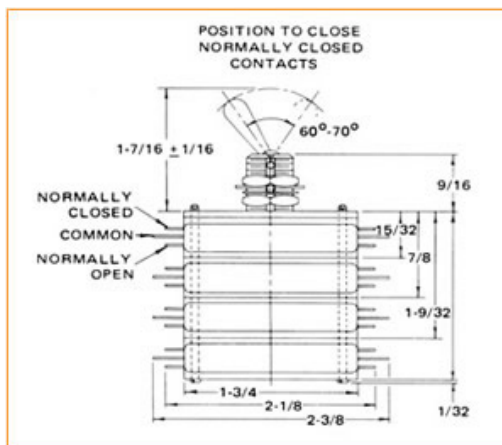


### Single Toggle

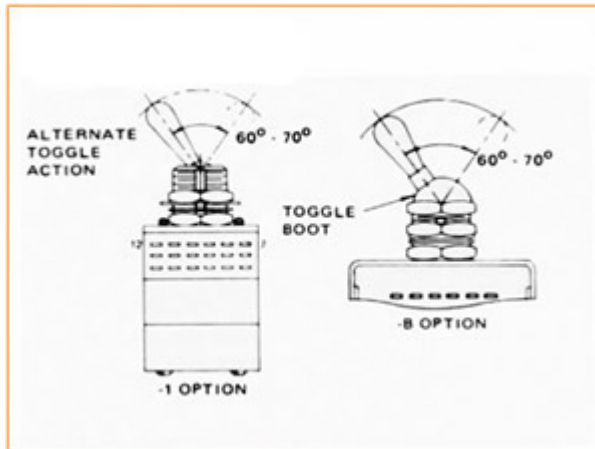
T-Bar Multi-Contact Dust Tight Switches are protected against normal ambient dust conditions. Designed for use in controlled environment such as test areas, computer control rooms, broadcast studios and network management centers. They are available in switching configurations of 4 to 144 pole double throw, all with maintained action.

Two types of contacts are available. The 902 series is designed to switch dry circuits to a maximum 1 amp for use in data, thermocouple and instrumentations circuits. The 802 series is used for control and indicator circuits. Terminals are designed to accept T-Bar Connectors.

- \* Available in 1-144 poles. Double throw, Form C.
- \* Protected again normal ambient dust conditions.
- \* Switches more circuits in less space.
- \* 1 Amp or 5 Amp.



## Standard Options



## Ordering Information

Example of part #: 802-12C  
T-Bar Series (802)  
Number of Contacts (12)  
Contact Form (C)

## X-ON Electronics

Largest Supplier of Electrical and Electronic Components

*Click to view similar products for [Toggle Switches](#) category:*

*Click to view products by [T-Bar](#) manufacturer:*

Other Similar products are found below :

[A19HV](#) [8A1-C-222](#) [60012L](#) [6006L](#) [6663](#) [7101MD9V30GE](#) [7101SPDV30BE](#) [7103SDV30BE](#) [7105D](#) [7108P3YAV2BE](#) [71YY50282](#)  
[7201MD9AVBE](#) [7301K38](#) [7306K36](#) [7310K36](#) [7314K36](#) [7506K4](#) [7592K6](#) [7691K14](#) [7700K1](#) [8396K108](#) [8824K14](#) [8828K13](#) [G3VX](#) [PS83-](#)  
[121G](#) [A101MD9AB04](#) [A101SD9AB04](#) [A101SDCQ04](#) [A103SD9AQ04](#) [A107TZB04](#) [A123P32YZQ](#) [A123S1YZG](#) [A127S1YCQ](#) [1-1825192-](#)  
[0](#) [A131S1YZQ](#) [A201SCWZB04](#) [A207SYCB04](#) [A208J61ZQ0004](#) [A221K12KAG](#) [A221S1YZQ](#) [A221T1TCQ](#) [A232K12KZQ](#) [A232M1YCQ](#)  
[A323S1CWZQ](#) [A423S1YZQ](#) [12149A-3V](#) [12156AX408](#) [12147AGKX679](#) [12149AD2G0383VX408](#) [12246X778](#)