



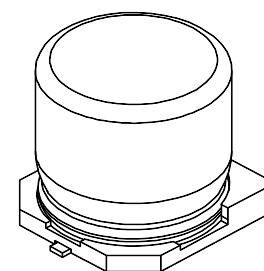
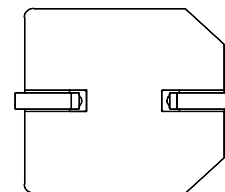
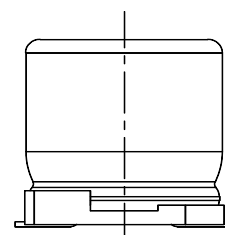
Hybrid Polymer Aluminum Electrolytic Capacitors

SMD capacitors

Series/Type:	B40900
Ordering code:	B40900A7227M000
Date:	June 05, 2019
Version:	2

125 °C / 4000 h

- Very high ripple current
- Low ESR across temperature range



400.001.003_v01

Dimensions (mm)

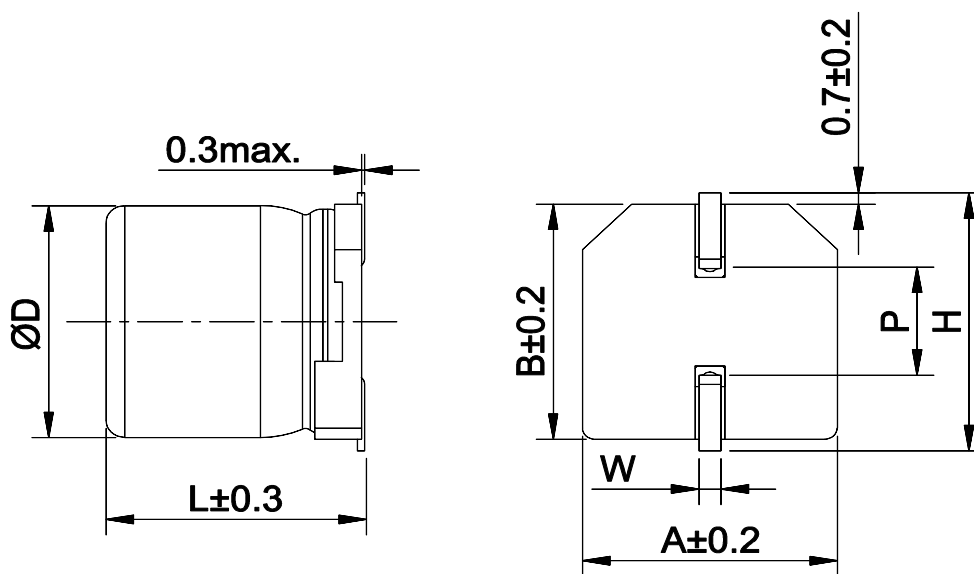
Case d x l	Insulation	Terminals
10 x 10.2	Coated can	SMD standard Sn plating

Technical data

Rated capacitance	C_R	120 Hz, 20 °C	270 μ F	
Capacitance tolerance			$\pm 20\%$	
Rated voltage	V_R		35 V	
Surge voltage	V_S	$T_{amb} = 125\text{ °C}$	40.2 V	1000 cycles acc. IEC 60384-4
Operating temperature range			-40 / +125 °C	
IEC climatic temperature			40/125/56	
Maximum leakage current	I_{leak}	2 min, 20 °C	94 μ A	
Maximum tan δ	$\tan \delta_{max}$	120 Hz, 20 °C	0.12	
Maximum ESR	ESR_{max}	100 kHz, 20 °C	20 m Ω	
Rated ripple current	$I_{AC,R}$	100 kHz, $T_{amb} = 125\text{ °C}$	2.8 A	
Voltage endurance test		125 °C, V_R	1000 h	After test: $ \Delta C/C \leq 15\%$ of initial value $\tan \delta \leq 1.5 \times$ initial spec. limit $I_{leak} \leq$ initial spec. limit
Useful life		125 °C, V_R , $I_{AC,R}$	4000 h	After test: $ \Delta C/C \leq 30\%$ of initial value $ESR \leq 2 \times$ initial spec. limit ¹⁾ $I_{leak} \leq$ initial spec. limit
Other specifications	Data Book 2019, RoHS-compatible			
Reference standard	AEC-Q200 (under qualification)			
Remarks	Taped on reel (plastic reel) ¹⁾ ESR_{max} at 100 kHz, 20 °C			

Cautions and warnings: see Data Book 2019 or www.tdk-electronics.tdk.com

Detail drawing (mm):

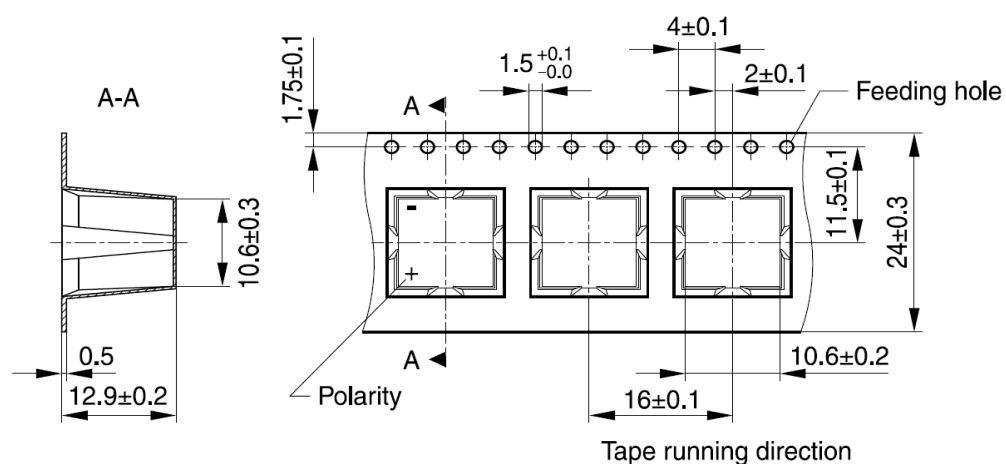


400.001.003_v01

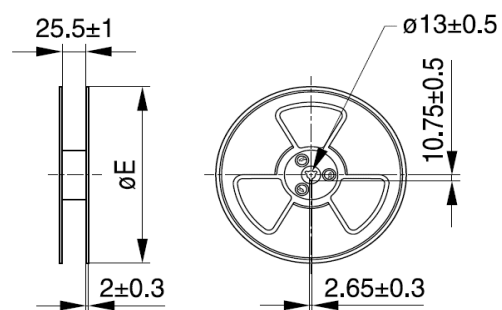
D ± 0.5	L	A	B	H _{max}	W ± 0.2	P *
10.0	10.2	10.3	10.3	12.0	0.9	4.6

* Reference value

Package details (mm):



KAL1773-3-E



KAL1774-B

E
381 mm

Parts per reel: 500 parts
 Reels per box: 5 reels
 Box dimensions: 400 mm x 405 mm x 230 mm

areas of application. These statements are based on our knowledge of typical requirements that are often placed on our products in the areas of application concerned. We nevertheless expressly point out **that such statements cannot be regarded as binding statements about the suitability of our products for a particular customer application.** As a rule, we are either unfamiliar with individual customer applications or less familiar with them than the customers themselves. For these reasons, it is always ultimately incumbent on the customer to check and decide whether a product with the properties described in the product specification is suitable for use in a particular customer application.

2. We also point out that **in individual cases, a malfunction of electronic components or failure before the end of their usual service life cannot be completely ruled out in the current state of the art, even if they are operated as specified.** In customer applications requiring a very high level of operational safety and especially in customer applications in which the malfunction or failure of an electronic component could endanger human life or health (e.g. in accident prevention or lifesaving systems), it must therefore be ensured by means of suitable design of the customer application or other action taken by the customer (e.g. installation of protective circuitry or redundancy) that no injury or damage is sustained by third parties in the event of malfunction or failure of an electronic component.
3. **The warnings, cautions and product-specific notes must be observed.**
4. In order to satisfy certain technical requirements, **some of the products described in this publication may contain substances subject to restrictions in certain jurisdictions (e.g. because they are classed as hazardous).** Useful information on this will be found in our Material Data Sheets on the Internet (www.tdk-electronics.tdk.com/material). Should you have any more detailed questions, please contact our sales offices .
5. We constantly strive to improve our products. Consequently, **the products described in this publication may change from time to time.** The same is true of the corresponding product specifications. Please check therefore to what extent product descriptions and specifications contained in this publication are still applicable before or when you place an order.

We also **reserve the right to discontinue production and delivery of products.** Consequently, we cannot guarantee that all products named in this publication will always be available.

The aforementioned does not apply in the case of individual agreements deviating from the foregoing for customer-specific products.

6. Unless otherwise agreed in individual contracts, **all orders are subject to our General Terms and Conditions of Supply.**
7. **Our manufacturing sites serving the automotive business apply the IATF 16949 standard.** The IATF certifications confirm our compliance with requirements regarding the quality management system in the automotive industry. Referring to customer requirements and customer specific requirements ("CSR") TDK always has and will continue to have the policy of respecting individual agreements. Even if IATF 16949 may appear to support the acceptance of unilateral requirements, we hereby like to emphasize that **only requirements mutually agreed upon can and will be implemented in our Quality Management System.** For clarification purposes we like to point out that obligations from IATF 16949 shall only become legally binding if individually agreed upon.
8. The trade names EPCOS, CeraCharge, CeraDiode, CeraLink, CeraPad, CeraPlas, CSMP, CTVS, DeltaCap, DigiSiMic, ExoCore, FilterCap, FormFit, LeaXield, MiniBlue, MiniCell, MKD, MKK, MotorCap, PCC, PhaseCap, PhaseCube, PhaseMod, PhiCap, PowerHap, PQSine, PQvar, SIFERRIT, SIFI, SIKOREL, SilverCap, SIMDAD, SiMic, SIMID, SineFormer, SIOV, ThermoFuse, WindCap are **trademarks registered or pending** in Europe and in other countries. Further information will be found on the Internet at www.tdk-electronics.tdk.com/trademarks .

X-ON Electronics

Largest Supplier of Electrical and Electronic Components

Click to view similar products for [Aluminium Organic Polymer Capacitors](#) category:

Click to view products by [TDK](#) manufacturer:

Other Similar products are found below :

[D38999/20WJ43SN-LC](#) [750-1809](#) [MS27467T25F24P](#) [MS27467T25F29P](#) [SEAU0A0102G](#) [MS3470W8-33P L/C](#) [MAL218497801E3](#)
[MAL218297003E3](#) [MAL218497803E3](#) [MAL218397603E3](#) [MAL218497701E3](#) [MAL218497804E3](#) [MAL218697005E3](#) [MAL218397604E3](#)
[MAL218697106E3](#) [MAL218297103E3](#) [MAL218397104E3](#) [MAL218297604E3](#) [MAL218697601E3](#) [MAL218697554E3](#) [MAL218697607E3](#)
[MAL218397702E3](#) [MAL218297702E3](#) [MAL218497901E3](#) [MAL218497806E3](#) [MAL218697001E3](#) [MPP683J6130510LC](#)
[PCZ1V181MCL1GS](#) [PCZ1V221MCL1GS](#) [PCZ1E331MCL1GS](#) [40HVH120M](#) [BC6R3M471LC6.3*8L-1A4T](#) [8221LEM0809H2RR000](#)
[ULR277M1CF1ARR](#) [8221LFM1013H2RR000](#) [160ARUP471M06A1E10T](#) [6R3AREP271M05X7E15P26](#) [250ARHA102M10A6T](#)
[SPZ1VM221F11O00RAXXX](#) [SPZ1EM471E14O00RAXXX](#) [SPZ1JM470E09O00RAXXX](#) [SPZ1HM331G15O00RAXXX](#)
[SPZ1AM122G12O00RAXXX](#) [SPZ1AM152G12O00RAXXX](#) [SPZ1VM681G16O00RAXXX](#) [SPZ1HM220E07O00RAXXX](#)
[RNE1C561MDNASQ](#) [RNU1D391MDN1](#) [RNU1E331MDNASQ](#) [RPS1E391MCN1GS](#)