

Disc Type Capacitors with Lead

High Voltage Ceramic Capacitors
Commercial Grade

Safety Standard Approved
CS series

Issue date: March 2013

- All specifications are subject to change without notice.
 - Conformity to RoHS Directive: This means that, in conformity with EU Directive 2002/95/EC, lead, cadmium, mercury, hexavalent chromium, and specific bromine-based flame retardants, PBB and PBDE, have not been used, except for exempted applications.
-

Disc Type Capacitors with Lead

Conformity to RoHS Directive

High Voltage Ceramic Capacitors
Commercial Grade

Safety Standard Approved
CS Series

BASIC INSULATION TYPE CLASS 2 HIGH DIELECTRIC

FEATURES

- Compliant with IEC and the safety standards of various countries.
- Rated at a withstand voltage of AC.2600V.
- Flame-resistant reinforced outer insulation prevents fires, electrical shock, and other potential hazards.
- Compatible with halogen-free external resin coating.

OPERATING TEMPERATURE RANGE: -25 to +125°C

TEMPERATURE CHARACTERISTICS AND TOLERANCE

Temperature characteristics	Test temperature range	Capacitance tolerance
SL (+350 to -1000ppm/°C)	+20 to +85°C	J (±5%)
B (±10%)	-25 to +85°C	K (±10%)
Z5U (+22, -56%)	+10 to +85°C	M (±20%)
F (+30, -80%)	-25 to +85°C	M (±20%)

PRODUCT IDENTIFICATION

CS	80	ZU	2GA	222	M	Y	N	K	A
(1)	(2)	(3)	(4)	(5)	(6)	(7)	(8)	(9)	(10)

- (1) Type
- (2) Shape
- (3) Temperature characteristics
- (4) Rated voltage
- (5) Nominal capacitance
- (6) Capacitance tolerance
- (7) Class
- (8) Lead type
- (9) Safety standard
- (10) Halogen-free compatible product

• Conformity to RoHS Directive: This means that, in conformity with EU Directive 2002/95/EC, lead, cadmium, mercury, hexavalent chromium, and specific bromine-based flame retardants, PBB and PBDE, have not been used, except for exempted applications.

• All specifications are subject to change without notice.

CAPACITANCE AND DIMENSIONS

Part No.	Temperature characteristics	Capacitance (pF)	Capacitance tolerance	Dimensions (mm)				Taping dimensions
				D max.	T max.	F	d	
CS45SL2GA100JY□KA	SL (+350 to -1000ppm/°C)	10	J (±5%)	7.0	5.0	7.5±1.5	0.6±0.05	V2
CS45SL2GA150JY□KA		15	J (±5%)	7.0	5.0	7.5±1.5	0.6±0.05	V2
CS45SL2GA220JY□KA		22	J (±5%)	7.0	5.0	7.5±1.5	0.6±0.05	V2
CS45SL2GA330JY□KA		33	J (±5%)	7.0	5.0	7.5±1.5	0.6±0.05	V2
CS45SL2GA470JY□KA		47	J (±5%)	7.0	5.0	7.5±1.5	0.6±0.05	V2
CS45SL2GA680JY□KA		68	J (±5%)	7.5	5.0	7.5±1.5	0.6±0.05	V2
CS65-B2GA101KY□KA	B (±10%)	100	K (±10%)	7.0	5.0	7.5±1.5	0.6±0.05	V2
CS65-B2GA151KY□KA		150	K (±10%)	7.0	5.0	7.5±1.5	0.6±0.05	V2
CS65-B2GA221KY□KA		220	K (±10%)	7.0	5.0	7.5±1.5	0.6±0.05	V2
CS70-B2GA331KY□KA		330	K (±10%)	7.0	5.0	7.5±1.5	0.6±0.05	V2
CS75-B2GA471KY□KA		470	K (±10%)	7.5	5.0	7.5±1.5	0.6±0.05	V2
CS85-B2GA681KY□KA		680	K (±10%)	8.5	5.0	7.5±1.5	0.6±0.05	V2
CS65ZU2GA102MY□KA	Z5U (+22, -56%)	1,000	M (±20%)	7.0	5.0	7.5±1.5	0.6±0.05	V2
CS75ZU2GA152MY□KA		1,500	M (±20%)	7.5	5.0	7.5±1.5	0.6±0.05	V2
CS80ZU2GA222MY□KA		2,200	M (±20%)	8.0	5.0	7.5±1.5	0.6±0.05	V2
CS95ZU2GA332MY□KA		3,300	M (±20%)	9.5	5.0	7.5±1.5	0.6±0.05	V2
CS11ZU2GA472MY□KA		4,700	M (±20%)	10.5	5.0	7.5±1.5	0.6±0.05	V2
CS14-F2GA103MY□KA	F (+30, -80%)	10,000	M (±20%)	14.5	5.0	7.5±1.5	0.6±0.05	V3

* □ : Lead shape symbol

LIST OF STANDARD LEAD SHAPES

The lead type is indicated by the letter which is the 15th character of the product name.

Example) TDK Product Name: **CS80ZU2GA222MYNKA**

└ N: Lead type (Vertical kink, Short)

Dimensions in mm

	Long lead Symbol G	Short lead Symbol N	Taping Symbol V
Vertical kink			

- We recommend using a vertical kink type.
- For bulk products, we recommend a short lead type with the symbol N.

MARKINGS

Item	Markings	Specifications	Marking examples
1. Series	CS	CS series	<p>(Marking position is reference.)</p>
2. Nominal capacitance	222	2200pF	
3. Capacitance tolerance	M	±20%	
4. Rated voltage Eac	440~X1 300~Y2	X1: AC.440V Y2: AC.300V	
5. TDK's logogram		Production base code	
6. Date code	29	2012.9*	

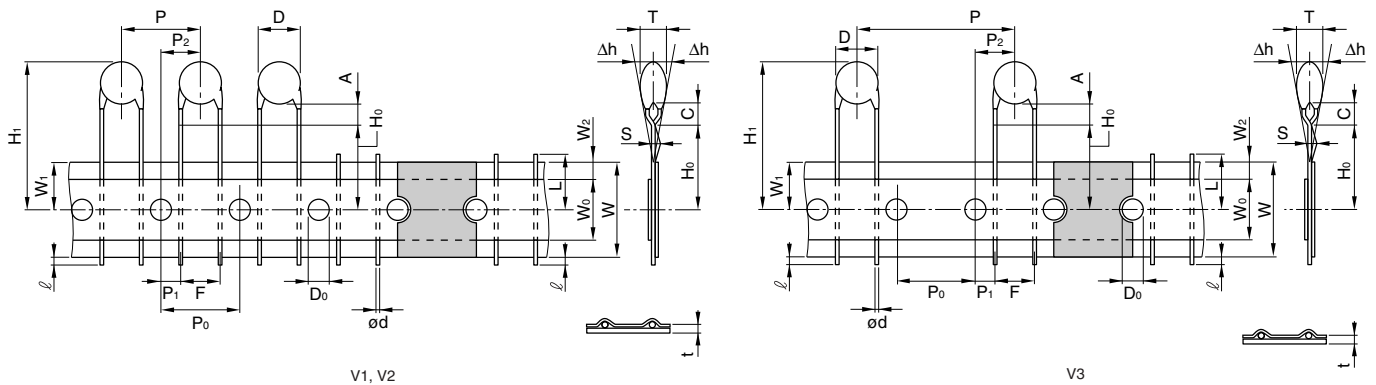
* Year and month of production: last digit of year + month denoted by 1, 2, 3, 4, 5, 6, 7, 8, 9, O (October), N (November), or D (December).

* The expression has become simplified due to a revision in the standards.

CERTIFIED STATUS OF VARIOUS COUNTRIES

Safety standard	Standard No.	Temperature characteristics	Insulation sub-class	Rated voltage	Approval report No.	
					Taiwan	Xiamen
BSI	BS EN60384-14	SL, B, Z5U, F	X1, Y2	X1: AC.440V Y2: AC.300V	KM37103	KM37103
VDE	EN 60384-14				40017930	40017930
SEV	EN 60384-14				12.0263	12.0263
SEMKO	EN 60384-14				1125249	1125249
NEMKO	EN 60384-14				P12215336	P12215336
DEMKO	EN 60384-14				D-01153	D-01153
FIMKO	EN 60384-14				FI 27399	FI 27399
IMQ	EN 60384-14				V3692	V3692
SAA	AS3250				CS6268	CS6268
UL	UL 60384-14				E37861	E37861
CSA	CAN/CSA-E60384-14				1785515	1785515
CQC	GB/T14472-1998				CQC12001082619	CQC10001052862

• Certificate numbers shall be changed owing to the revisions of the related standards.

TAPING DIMENSIONS
VERTICAL KINK LEAD TYPE


Item	Symbol	Dimensions (mm)			Remarks
		V1	V2	V3	
Body diameter	D	Depends on the specification of each product.			
Body thickness	T	Depends on the specification of each product.			
Lead-wire diameter	ød	0.6±0.05	0.6±0.05	0.6±0.05	
Pitch of component	P	12.7±1.0	15.0±1.0	30.0±1.0	Including the slant of body
Feed hole pitch	P ₀	12.7±0.3	15.0±0.3	15.0±0.3	Excepting the tape splicing part
Feed hole center to lead	P ₁	3.85±0.7	3.75±0.7	3.75±0.7	
Feed hole center to component center	P ₂	6.35±1.3	7.5±1.3	7.5±1.3	
Lead-to lead distance	F	5+0.8, -0.2	7.5±0.8	7.5±0.8	Measuring point is bottom kink
Component alignment	Δh	0±2.0	0±2.0	0±2.0	Including the slanting body due to bending lead-wire
Tape width	W	18.0+1.0, -0.5	18.0+1.0, -0.5	18.0+1.0, -0.5	
Adhesive tape width	W ₀	10.0min.	10.0min.	10.0min.	
Hole position	W ₁	9.0±0.5	9.0±0.5	9.0±0.5	
Adhesive tape position	W ₂	4.0max.	4.0max.	4.0max.	Adhesive tape do not stick out the tape
Bottom of kink from tape center	H ₀	16.0+1.5, -0.5	16.0+1.5, -0.5	16.0+1.5, -0.5	
Height of body from tape center	H ₁	46.0max.	46.0max.	46.0max.	
Lead-wire protrusion	ℓ	1.0max.	1.0max.	1.0max.	
Feed hole diameter	D ₀	4.0±0.2	4.0±0.2	4.0±0.2	
Total tape thickness	t	0.6±0.3	0.6±0.3	0.6±0.3	Including adhesive tape
Length of snapped lead	L	11.0max.	11.0max.	11.0max.	
Coating on lead	C	4.0max.	4.0max.	4.0max.	
Height of kink	A	4.0max.	4.0max.	4.0max.	Measuring point is bottom kink
Spring action	S	2.0max.	2.0max.	2.0max.	

• For more information about products with other capacitance or other data, please contact us.

• All specifications are subject to change without notice.

X-ON Electronics

Largest Supplier of Electrical and Electronic Components

Click to view similar products for [Ceramic Disc Capacitors](#) category:

Click to view products by [TDK](#) manufacturer:

Other Similar products are found below :

[009377XM](#) [5AS560JCFCA](#) [5AU100JCECA](#) [5AU470JCJCA](#) [DEF2CLH020CA3B](#) [HSE102MAQBF0KR](#) [432202101621](#) [432202282431](#)
[DEF2CLH030CJ3B](#) [W1X223MCVCF0KR](#) [564RC0GBA302EJ470K](#) [5AS270JCDCA](#) [5AS330JCDCA](#) [5AU330JCGCA](#)
[DE1E3KX222MJ4BN01F](#) [440LT68AP-R](#) [JN222MQ47FAAAAKPLP](#) [H8000090-245](#) [H8000090-225RY](#) [H8000090-309RY](#) [H8000090-](#)
[291RY](#) [F471K39S3NR63K7R](#) [DEF2CLH040CN3A](#) [DEF2CLH080DA3B](#) [564R3DF0T22](#) [CC2150KY5P1KVB5LS-LF](#)
[CC2180KY5P1KVB5LS-LF](#) [CC2470KY5P1KVB5LS-LF](#) [CC2820KY5P1KVB5LS-LF](#) [0838-040-X7R0-220K](#) [JN102MQ35FAAAAKPLP](#)
[0841-040-X5U0-103M](#) [CCH-6K8-5/1000V](#) [140-50N2-101J-TB-RC](#) [ECK-DGL102ME](#) [562R5GAD47RR](#) [S103K75Y5PN8BT0R](#)
[615R100GAD10](#) [615R150GAD10](#) [NCD100K1KVSLF](#) [NCD682M1KVZ5UF](#) [CCK-100N](#) [CCK-100P](#) [CCK-22N](#) [CCK-2N2](#) [CCK-47N](#) [CCK-](#)
[47P](#) [CCK-4N7](#) [CCK-4P7](#) [CK45-B3FD681KYNNA](#)