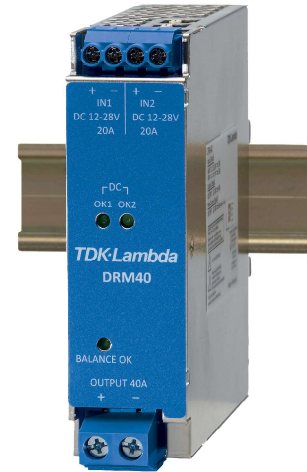


## 20-40A DIN Rail Redundancy Module

### Features

- ◆ Compact Size
- ◆ Low 200mV Voltage Drop
- ◆ Current Balance Indicator Option
- ◆ Isolated Alarm Signals
- ◆ 50% Peak Current Rating



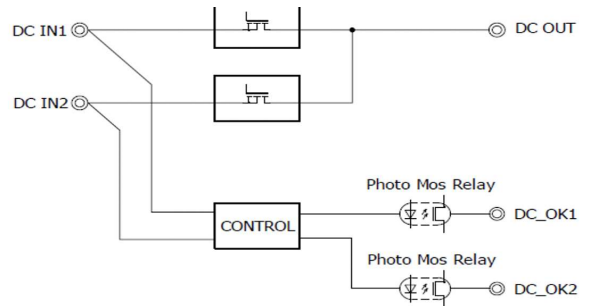
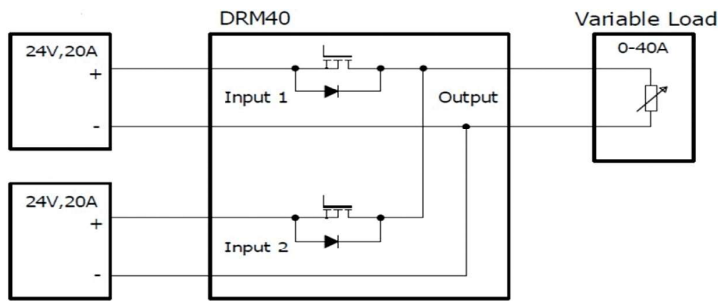
### Key Market Segments & Applications



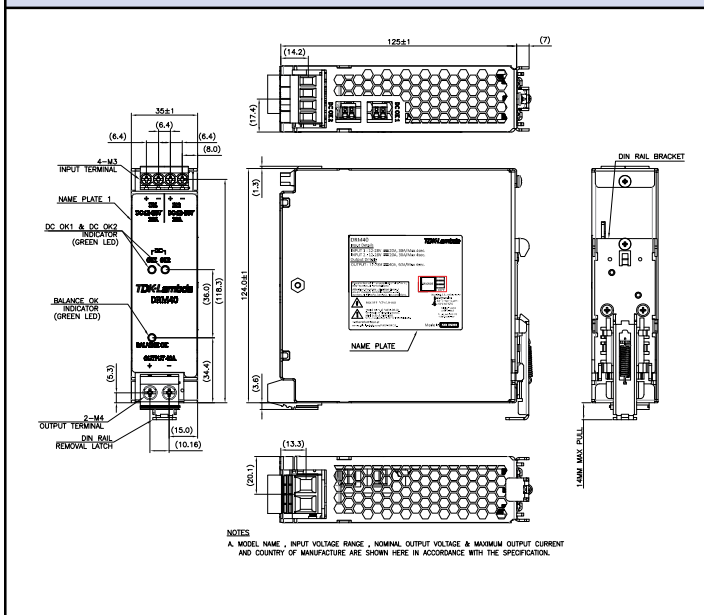
Specifications			
Model		DRM40	DRM40B
Input Voltage Range	VDC	10 - 30VDC	
Number of inputs	-	Two	
Maximum Input Current	A	2 x 20A, total 60A peak	
Peak Input Current	A	2 x 30A for 4s maximum, 0.35 duty cycle	
Maximum Output Current	A	40A	
Peak Output Current	A	60A for 4s maximum, 0.35 duty cycle	
Internal Power Loss (typ)	W	8W at 40A	
Input to Output Voltage Drop	VDC	0.2V at 40A	
Maximum Reverse Voltage	VDC	40VDC	
Overcurrent protection	-	None	
Overvoltage protection	-	None	
Operating Temperature	°C	-40 to +70°C standard mounting orientation	
Storage Temperature	°C	-40 to +85°C	
Humidity	%RH	5 - 95%RH operating and storage (non condensing)	
Cooling	-	Convection	
Output Good Indicators	-	Two green LEDs indicating each input is "good"	None
Current Balance Indicators	-	Green LED indicates balanced current	None
Input Voltage Alarms	-	Opto-isolated relays are off when input is below threshold	None
Withstand Voltage	VDC	Input or Output - Chassis 707VDC for 1 minute	
Isolation Resistance	MΩ	Input or Output - Chassis >100MΩ at 25°C, 70%RH and 500VDC	
Vibration	-	None operating, 10 - 55Hz (sweep for 1min), 19.6m/s <sup>2</sup> (2G) Constant, X, Y, Z 1hour each	
Shock	-	<196m/s <sup>2</sup> (20G)	
Safety Agency Certifications	-	IEC/UL/CSA/EN60950-1, IEC/UL/CSA/EN62368-1, UL508, CE mark (LVD, EMC and RoHS)	
Size W x D x H)	mm/in	35 x 125 x 124mm, 1.18 x 4.91 x 4.87"	
Weight	g	330	
Warranty	Yrs	Five Years	

Note: See Installation Manual for full details, test methods of parameters and application notes

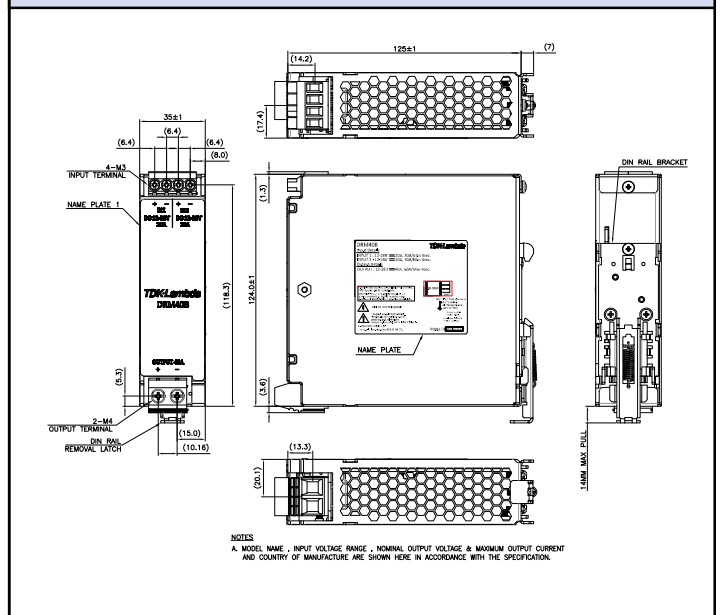
## Block Diagrams



## Outline Drawing DRM40



## Outline Drawing DRM40B



For Additional Information, please visit  
<https://product.tdk.com/en/power/>



## X-ON Electronics

Largest Supplier of Electrical and Electronic Components

*Click to view similar products for [DIN Rail Power Supplies](#) category:*

*Click to view products by [TDK](#) manufacturer:*

Other Similar products are found below :

[PS-S6024](#) [DVP01PU-S](#) [DVP06AD-S](#) [DVP06XA-S](#) [DVDPNET-SL](#) [DVPDT01-S](#) [DVPPS01](#) [PS-6012](#) [PS9Z-5R1G](#) [PS-C24024](#)  
[DVP08ST11N](#) [DVPACAB530](#) [DVPCOPM-SL](#) [DVPEN01-SL](#) [DVPPF01-S](#) [ADNB008-48-1PM-C](#) [ADNB017-24-1PM-C](#) [ADNB040-24-1PM-C](#) [ADNB034-12-1PM-C](#) [SS14011524](#) [S8TS-06024-E1](#) [PS-UPS40](#) [PSC-6024](#) [PSD-A60W12](#) [96PS-A120WDIN](#) [PSD-A60W48](#) [PSD-A40W12](#) [PSD-A40W24](#) [SMP21-L20-DC24V-5A](#) [PSD-A40W48](#) [S8T-DCBU-02](#) [PS-S4024](#) [NTPS-24-1.3](#) [PST-96024](#) [S82YVSC4P](#) [PS-S4005](#) [PS-10024](#) [PS-S10024](#) [PS-C12024](#) [PSP-480S24](#) [PS-C48024](#) [PSC-2024](#) [PSC-4012](#) [PSC-4048](#) [PSC-9615](#) [PSC-15124](#) [PSC-15148](#) [PSC-24148](#) [PSC-48148](#) [TRIO-PS-2G/1AC/12DC/5/C2LP](#)