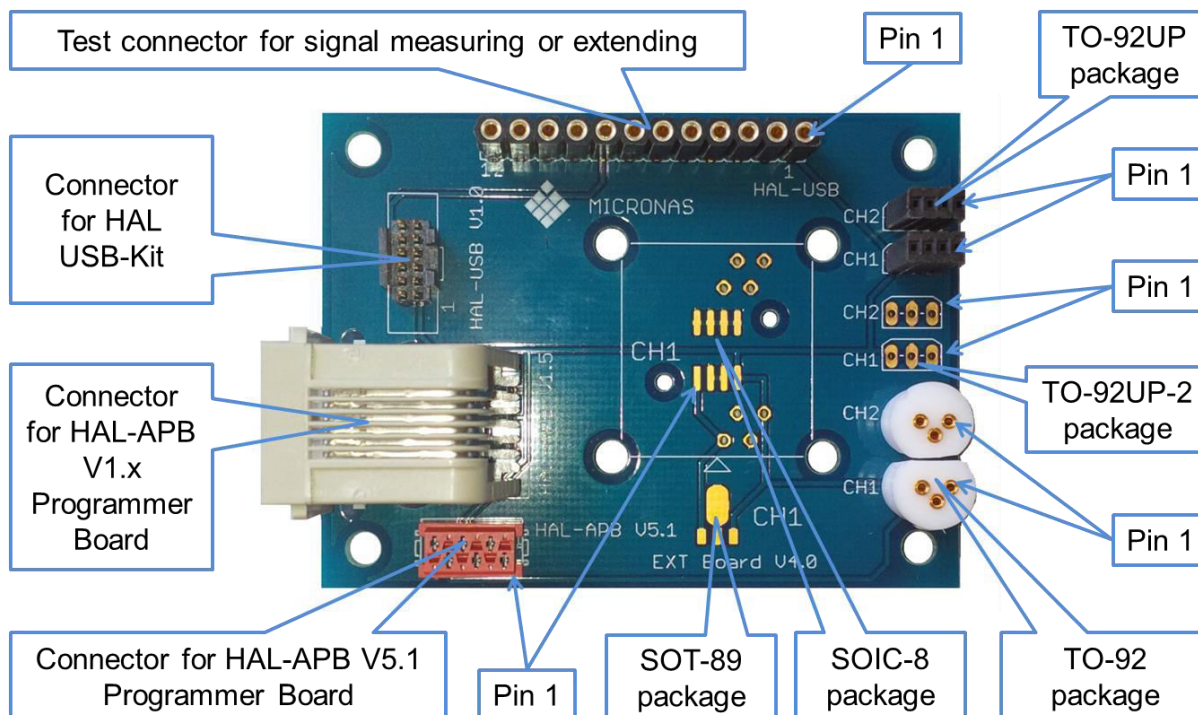


Extension Board V4.0

Dear Customer,

Thank you for using a product from Micronas. This document will help you to use the Micronas Extension Board V4.0.

Extension Board V4.0



Micronas Extension Board V4.0 is designed to connect to:

- Micronas Hall sensors in TO-92 (3-pin), TO-92UP (4-pin), TO-92UP-2 (3-pin), SOT-89 (4-pin) and SOIC-8 (8-pin) packages
- HAL-APB V5.1 Programmer Board (red 6-pin connector)
- HAL-APB V1.x Programmer Board (gray 6-pin connector)
- HAL USB-Kit (black 12-pin connector).

An additional Enplas OTS-8(16)-1.27-03 socket⁽¹⁾ can be placed on the Micronas Extension Board V4.0. Signals can be measured or extended by using the 12-pin Test connector. The Test connector and the HAL USB-Kit connector pinouts are equal.

Pin No.	Description	Pin No.	Description
1	OUT Sensor 1	7	reserved
2	OUT Sensor 2	8	reserved
3	GND	9	reserved
4	GND	10	5 V
5	VDD Sensor 1	11	GND
6	VDD Sensor 2	12	SDAT

The latest information about Micronas products is available on the Micronas Service Portal: <https://service.micronas.com/>

⁽¹⁾ <http://www.enplas.co.jp/wp/wp-content/uploads/2012/06/55-57opentop.pdf>

X-ON Electronics

Largest Supplier of Electrical and Electronic Components

Click to view similar products for [Magnetic Sensor Development Tools](#) category:

Click to view products by [TDK](#) manufacturer:

Other Similar products are found below :

[AS5134 AB](#) [MMC5633NJL-B](#) [MIKROE-1647](#) [MIKROE-1646](#) [EVAL-CN0332-PMDZ](#) [AS5510-WL_EK_DB](#) [ADA4571R-EBZ](#) [AS5170A-SO_EK_AB](#) [4366](#) [AS5013-QF_EK_AB](#) [AS5040 AB](#) [AS5040 DB V2](#) [AS5045 AB](#) [AS5047D-TS_EK_AB](#) [AS5048A-EK-AB-STM1.1](#) [AS5048-TS_EK_DB](#) [AS5050A-QF_EK_AB](#) [AS5132 AB](#) [AS5132 DB](#) [AS5132-PB](#) [AS5145B-EK-AB-STM1.0](#) [AS5147P-TS_EK_AB](#) [AS5162-EK-AB](#) [AS5172B-TS_EK_AB](#) [AS5247-MF_EK_SB](#) [AS5247U-TQ_EK_SB](#) [AS5306-TS_EK_AB](#) [AS5311-TS_EK_AB](#) [AS5510-SOIC8-AB](#) [AS5600-SO_EK_AB](#) [AS5600-SO_EK_ST](#) [AS5601-SO_EK_ST](#) [AS5601-SO_RD_ST](#) [AS5X47U-TS_EK_AB](#) [SD4Y-EK-XX](#) [USB I&P BOX](#) [EVAL-CN0323-SDPZ](#) [EVAL-CN0368-SDPZ](#) [DFR0033](#) [S2GO3DSENSETLV493DTOBO1](#) [S2GOCURSENSETLI4970TOBO1](#) [TLE5012BE5000MS2GOTOB01](#) [TLE5014PROGKITTOBO1](#) [EVB90316-DC](#) [EVB90316-GO](#) [EVB90333-DC](#) [EVB90393](#) [EVB922xx](#) [MMC5603NJ-B](#) [MMC5983-B](#)