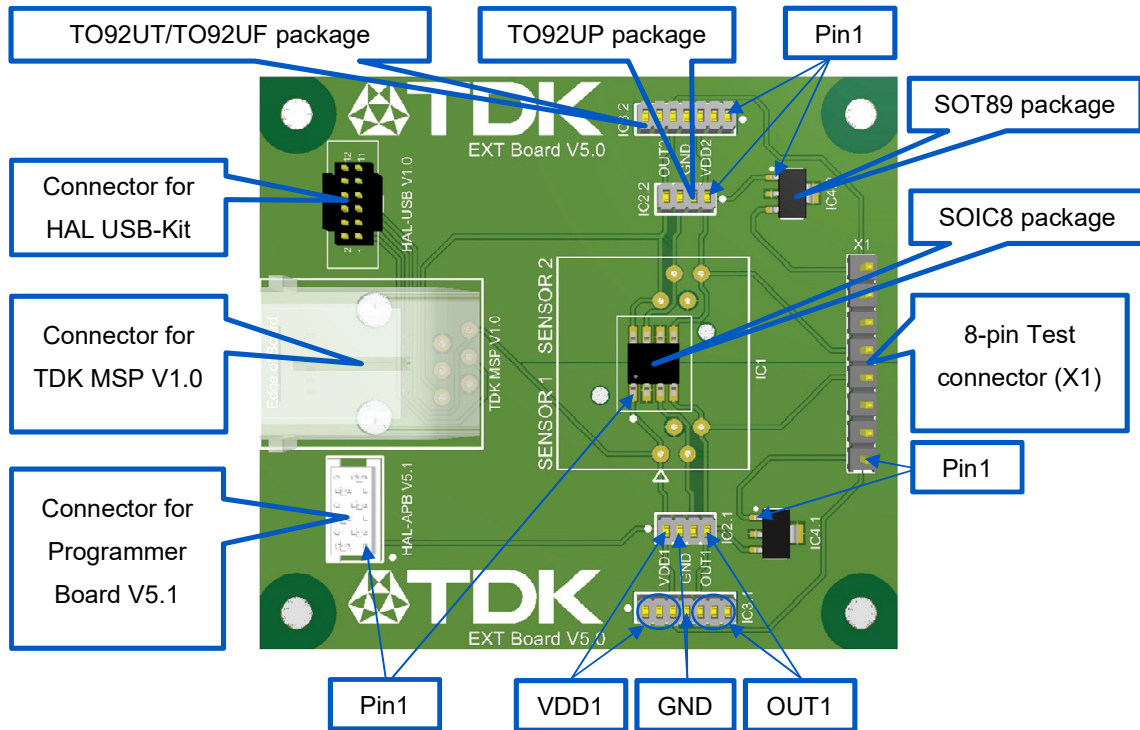


First Steps Extension Board V5.0

Dear Customer,

thank you for your trust in products from TDK-Micronas. This document gives a short overview of the first steps how to use the TDK Micronas Extension Board V5.0.

Extension Board V5.0



TDK Micronas Extension Board V5.0 is designed to connect to:

- Micronas Hall sensors in TO92UT (3-pin), TO92UF (3-pin), TO92UP (4-pin), SOT89 (4-pin) and SOIC8 (8-pin) packages
- Programmer Board V5.1 [red 6-pin connector]
- TDK MSP V1.0 (Magnetic Sensor Programmer [gray 6-pin connector])
- HAL USB-Kit [black 12-pin connector]

An Enplas OTS-8(16)-1.27-03 socket can be placed additional on the TDK Micronas Extension Board V5.0. Signals can be measured or extended by using the 8-pin Test connector. The Test connector pinning is showing below:

Pin No.	Description	Pin No.	Description
1	VDD1	5	VDD2
2	GND1	6	GND2
3	TEST1	7	TEST2
4	OUT1	8	OUT2

The latest information about TDK-Micronas products and the TDK MSP V1.0 User Manual is available on the TDK-Micronas Service Portal: <https://service.micronas.com/> (registration necessary)

X-ON Electronics

Largest Supplier of Electrical and Electronic Components

Click to view similar products for [Magnetic Sensor Development Tools](#) category:

Click to view products by [TDK](#) manufacturer:

Other Similar products are found below :

[SEN0529](#) [5579](#) [MIKROE-5190](#) [EVB90395_QFN](#) [MIKROE-5125](#) [MIKROE-1647](#) [MK21P-KIT](#) [AS5047P-TS_EK_AB](#) [AS5048B-TS_EK_MB](#) [AS5245-QF_EK_PB](#) [AS526X-MF_EK_SB](#) [AS5510-WL_EK_AB](#) [AS5510-WL_EK_DB](#) [AS5600-SO_POTUINO](#) [AS5X47P-TS_EK_MB](#) [AS5X47-TS_EK_SB](#) [AS5X6X-EK-ST](#) [AS5115-SS_EK_DB](#) [AS5130-SS_EK_DB](#) [AS5145B-SS_EK_AB](#) [MMC34160PJ-B](#) [AS5170A-SO_EK_AB](#) [AS5147-EK-AB](#) [HAL APB V5.1](#) [DPP401G000](#) [4022](#) [4366](#) [AS5013-QF_EK_AB](#) [AS5040 AB](#) [AS5045 AB](#) [AS5047D-TS_EK_AB](#) [AS5048A-TS_EK_AB](#) [AS5048B-TS_EK_AB](#) [AS5048-TS_EK_DB](#) [AS5050A-QF_EK_AB](#) [AS5132 AB](#) [AS5132-PB](#) [AS5145B-EK-AB-STM1.0](#) [AS5147P-TS_EK_AB](#) [AS5162-EK-AB](#) [AS5247U-TQ_EK_AB](#) [AS5247U-TQ_EK_SB](#) [AS5306-TS_EK_AB](#) [AS5311-TS_EK_AB](#) [AS5510-SOIC8-AB](#) [AS5600-SO_EK_AB](#) [AS5600-SO_EK_ST](#) [AS5601-SO_EK_AB](#) [AS5601-SO_EK_ST](#) [AS5X47U-TS_EK_AB](#)