

HAC[®] 3930

Stray-Field Robust 3D Position Sensor
with Digital Output Interfaces
and Integrated Capacitors

3D | HAL[®]
Technology

master | HAL[®]
Technology

Copyright, Warranty, and Limitation of Liability

The information and data contained in this document are believed to be accurate and reliable. The software and proprietary information contained therein may be protected by copyright, patent, trademark and/or other intellectual property rights of TDK-Micronas. All rights not expressly granted remain reserved by TDK-Micronas.

TDK-Micronas assumes no liability for errors and gives no warranty representation or guarantee regarding the suitability of its products for any particular purpose due to these specifications.

By this publication, TDK-Micronas does not assume responsibility for patent infringements or other rights of third parties which may result from its use. Commercial conditions, product availability and delivery are exclusively subject to the respective order confirmation.

Any information and data which may be provided in the document can and do vary in different applications, and actual performance may vary over time.

All operating parameters must be validated for each customer application by customers' technical experts. Any mention of target applications for our products is made without a claim for fit for purpose as this has to be checked at system level.

Any new issue of this document invalidates previous issues. TDK-Micronas reserves the right to review this document and to make changes to the document's content at any time without obligation to notify any person or entity of such revision or changes. For further advice please contact us directly.

Do not use our products in life-supporting systems, military, aviation, or aerospace applications! Unless explicitly agreed to otherwise in writing between the parties, TDK-Micronas' products are not designed, intended or authorized for use as components in systems intended for surgical implants into the body, or other applications intended to support or sustain life, or for any other application in which the failure of the product could create a situation where personal injury or death could occur.

No part of this publication may be reproduced, photocopied, stored on a retrieval system or transmitted without the express written consent of TDK-Micronas.

TDK-Micronas Trademarks

- HAL
- HAC
- 3D HAL
- master HAL

Third-Party Trademarks

All other brand and product names or company names may be trademarks of their respective companies.

License Note

HAC 3930 uses licenses of Fraunhofer Institute for Integrated Circuits IIS.

Contents

Page	Section	Title
5	1.	Introduction
6	1.1.	Major Applications
7	1.2.	Features
8	2.	Ordering Information
8	2.1.	Device-Specific Ordering Codes
10	3.	Functional Description
10	3.1.	General Function
12	3.2.	Signal Path
13	3.3.	Register Definition
13	3.3.1.	RAM Registers
16	3.3.2.	EEPROM Registers
30	3.4.	SENT Output Protocol
32	3.4.1.	H.1 Format: 6 Data Nibble Frame with Two Fast Channels
34	3.4.2.	H.2 Format: 3 Data Nibble Frame with One Fast Channel
34	3.4.3.	H.4 Format: Secure Single Sensors with 12-bit Fast Channel
35	3.4.4.	Error Diagnostic Reporting on Fast Channel and Status Bits
36	3.4.5.	Pause Pulse
37	3.4.6.	CRC Implementation
37	3.4.7.	Slow Channel: Enhanced Serial Message
38	3.4.8.	Slow Channel: Serial Message Sequence
39	3.4.9.	Slow Channel: Serial Message Error Codes
39	3.4.10.	Start-Up Behavior
39	3.4.11.	Message Time for SENT Frames in PPC Mode
40	4.	Functional Safety
40	4.1.	Functional Safety Manual and Functional Safety Report
40	4.2.	Integrated Diagnostic Mechanism
42	5.	Specifications
42	5.1.	Outline Dimensions
44	5.2.	Soldering, Welding, Assembly
44	5.3.	Storage and Shelf Life Package
44	5.4.	Size and Position of Sensitive Areas
45	5.5.	Definition of Magnetic-Field Vectors
45	5.6.	Pin Connections and Short Description
46	5.7.	Absolute Maximum Ratings
47	5.8.	Recommended Operating Conditions
48	5.9.	Characteristics
54	5.10.	Magnetic Characteristics
57	5.11.	Temperature Sensor

Contents, continued

Page	Section	Title
58	6.	Application Notes
58	6.1.	Ambient Temperature
58	6.2.	EMC and ESD
59	6.3.	Application Circuit for HAC 3930
60	7.	Programming of the Sensor
60	7.1.	Programming Interface
61	7.2.	Programming Environment and Tools
61	7.3.	Programming Information
62	8.	Document History

Stray-Field Robust 3D Position Sensor with Digital Output Interfaces and Integrated Capacitors

1. Introduction

HAC 3930 is part of a new generation of TDK-Micronas' 3D position sensors addressing the need for stray-field robust 3D position sensors (linear and angular) as well as the ISO 26262 compliant development. It is a high-resolution position sensor for highly accurate position measurements. Decoupling capacitors are already integrated into the three-lead TO package enabling optimal protection against electromagnetic interference.

HAC 3930 features a PWM or SENT output. The digital output format is customer configurable. In SENT mode, the sensor transmits SENT messages with and without pause pulse according SAE J2716 rev. 4. Many parameters like tick time, frame format, etc. are configurable by the customer. The PWM output is configurable with frequencies between 0.1 kHz and 2 kHz.

With its integrated capacitors, HAC 3930 meets the stringent ESD and EMC requirements and eliminates the need for a PCB, thus reducing total system size and cost.

The device can measure 360° angular range, linear movements as well as 3D position information of a magnet. 3D position means two angles calculated out of $B_x/B_y/B_z$. The 3D position information can be transmitted via the SENT interface. The device also features a so-called modulo function mainly used for chassis position sensor applications. With this mode it is possible to split the 360° measurement range into sub-segments (90°, 120°, and 180°).

The device measures, based on the Hall technology, vertical and horizontal magnetic-field components. The device is able to suppress external magnetic stray-fields by using an array of Hall plates. Only a simple two-pole magnet is required to measure a rotation angle. Ideally, the magnet should be placed above the sensitive area in an end-of-shaft configuration. Stray-field robust off-axis measurements are supported as well.

On-chip signal processing calculates up to two angles out of the magnetic-field components and converts this value into a digital output value.

Major characteristics like gain and offset, reference position, etc. can be adjusted to the magnetic circuitry by programming the non-volatile memory.

This product is defined as SEooC (Safety Element out of Context) ASIL B ready according to ISO 26262.

The device is designed for automotive and industrial applications. It operates in the ambient temperature range from -40 °C to 150 °C.

The sensor is available in a small three-pin leaded transistor package TO92UF.

1.1. Major Applications

Thanks to the sensor's versatile programming characteristics and its high accuracy, the HAC 3930 is a potential solution for the following application examples:

- Chassis position
- Turbo-charger
- Valve position, e.g. throttle valve
- EGR
- Shift position
- Liquid-level measurements
- Non-contact potentiometer
- Transmission position detection
- Clutch position
- Brake pedal position / brake stroke sensor

1.2. Features

- Accurate angular measurement up to 360° and linear position detection
- 3D position detection supporting transmission of two angles out of B_X , B_Y , B_Z
- Compensation of magnetic stray-fields (rotary or linear position detection)
- SEooC ASIL B ready according to ISO 26262 to support Functional Safety applications
- Wide supply voltage range of 3 V up to 18 V
- Customer-configurable PWM or SENT output (push-pull & open-drain output)
- Configurable output slew rates to reduce emission
- 0.1 kHz to 2 kHz PWM
- SENT according to SAEJ2716 rev. 4 (APR2016) supporting three different frame formats:
 - H1. format: Two 12-bit fast channels (3 data nibbles position information and 3 data nibbles 12-bit temperature or magnetic-field amplitude) (supporting A.1 Dual Throttle Position Sensors)
 - H.2 Format: One 12-bit fast channel (3-nibble position information)
 - H.4 Format: Secure single sensors with 12-bit fast channel (3 nibble position information) and 12-bit secure sensor information
 - Enhanced 12-bit serial message format including temperature information
 - Programmable tick time between 0.5 μ s and 12 μ s
 - Low time of 3, 5, and 6 ticks
 - Configurable pause pulse (PPC,NPP)
 - Transmission of OEM ID's via slow channel
- Up to 8 kSps sampling frequency
- Operates from -40 °C up to 170 °C junction temperature (Max. Ambient Temperature: $T_{A,absmax} = 160$ °C)
- Programming via the sensor's output pin. No additional programming pin required
- Various configurable signal processing parameter, like output gain and offset, reference position, temperature dependent offset, etc.
- Modulo function (90°/120°/180°) for chassis position applications
- Programmable arbitrary output characteristic with 17 variable or 33 fixed setpoints
- Programmable characteristics in a non-volatile memory (EEPROM) with redundancy and lock function
- Read access on non-volatile memory after customer lock
- On-board diagnostics of different functional blocks of the sensor
- EMC and ESD robust package design

2. Ordering Information

A TDK-Micronas device is available in a variety of delivery forms. They are distinguished by a specific ordering code:

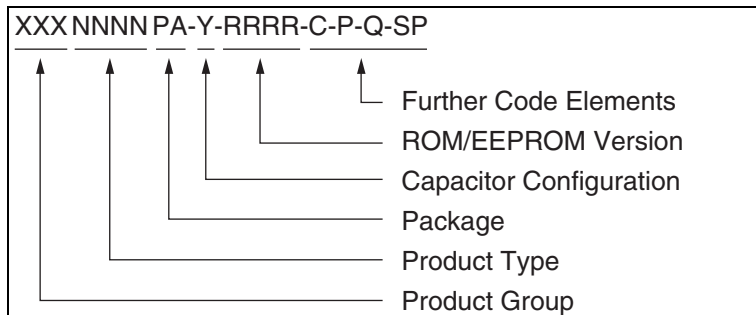


Fig. 2–1: Ordering code principle

For a detailed information, please refer to the brochure: “Sensors and Controllers: Ordering Codes, Packaging, Handling”.

2.1. Device-Specific Ordering Codes

The HAC 3930 is available in the following package and capacitor variant.

Table 2–1: Available package

Package Code (PA)	Package Type
CX	TO92UF-2

Values of capacitors from VSUP to GND and OUT to GND are uniquely identified by a letter added within the Hall sensor package code, according to the description in Fig. 2–1.

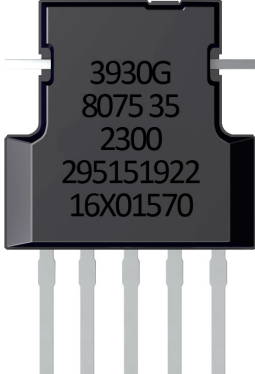
Table 2–2: Available capacitor configuration

Capacitance Code (Y)	Capacitor from VSUP to GND	Capacitor from OUT to GND
G	330 nF	4.7 nF

Table 2–3: Ordering Information

Product	Package	ROM/EEPROM Version	Further Code [-C-P-Q-SP]	Comments
HAC 3930	CX = TO92UF	2300	See TDK-Micronas Ordering Information	

Table 2–4: Package Marking for HAC 3930

Ordering Code	Package Marking	Type
HAC 3930CX-G-2300[-C-P-Q-SP]	 A top-down view of a dark grey, rectangular HAC 3930 package. The package has a notch on the left side and a small protrusion on the right side. Five pins are visible at the bottom. The marking is printed in white on the top surface of the package. <p>3930G 8075 35 2300 295151922 16X01570</p>	<p>Line 1: Product Type / Capacitor Configuration</p> <p>Line 2: Date code / Special Procedure SB (optional)</p> <p>Line 3: ROM-ID</p> <p>Line 4: Lot number</p> <p>Line 5: Trace code</p>

3. Functional Description

3.1. General Function

HAC 3930 is a 3D position sensor based on Hall-effect technology. The sensor includes an array of horizontal and vertical Hall-plates based on TDK-Micronas' 3D HAL[®] technology. The array of Hall plates has a diameter C of 2.25 mm (nominal).

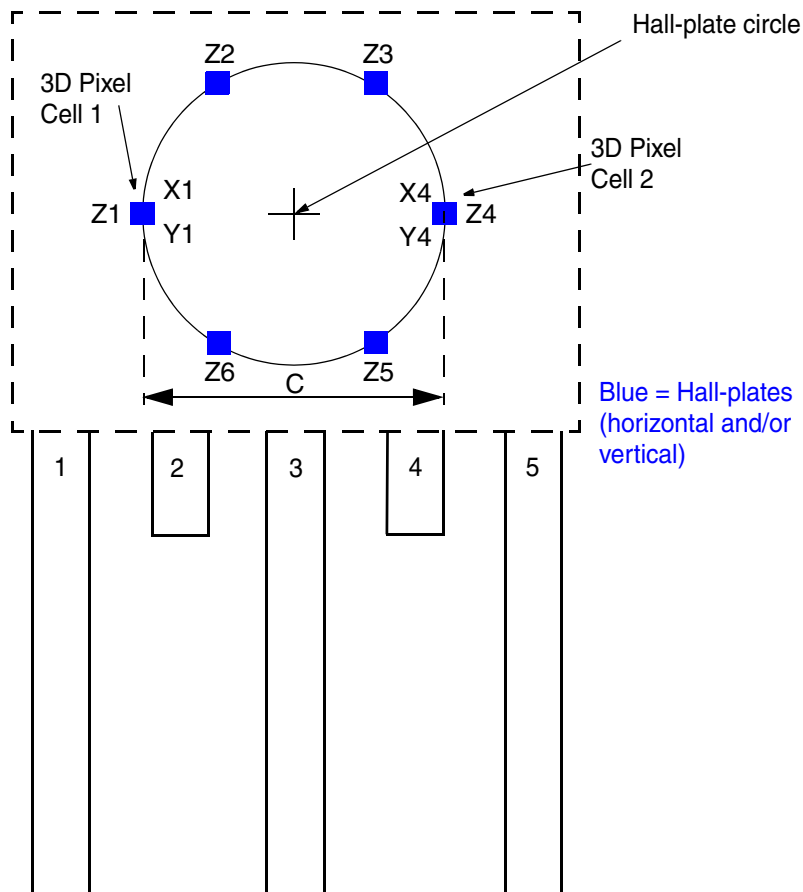


Fig. 3–1: Hall-plate position definition for HAC 3930

The Hall-plate signals are first measured by up to three A/D converters, filtered and temperature compensated. A linearization block can be used optionally to reduce the overall system angular non-linearity error, due to mechanical misalignment, magnet imperfections, etc.

On-chip offset compensation by spinning current minimizes errors due to supply voltage and temperature variations as well as external package stress.

Stray-field compensation is done device inherent.

Depending on the measurement configuration, different combination of Hall plates will be used for the magnetic-field sensing.

The sensor supports various measurement configurations:

- Angular measurements in a range between 0° and 360° with stray-field compensation
- Linear position detection with stray-field compensation based on the differential signals of the two 3D Pixel Cells
- 2D linear and angular position detection without stray-field compensation (B_Y/B_X , B_Z/B_X , B_Z/B_Y) with 3D Pixel Cell 1
- 3D position detection (calculation of two angles) without stray-field compensation

The 360° angular range can be split in 90°/120°/180° sub-segments.

Overall, the in-system calibration can be utilized by the system designer to optimize performance for a specific system. The calibration information is stored in an on-chip non-volatile memory.

The calculated position information is either transmitted via PWM signals or SENT frames.

The HAC 3930 is programmable by modulation of the output voltage. No additional programming pin is needed and fast end-of-line programming is enabled.

To improve EMC performance, HAC 3930 integrates two capacitors within the package between VSUP and GND, OUT and GND, respectively.

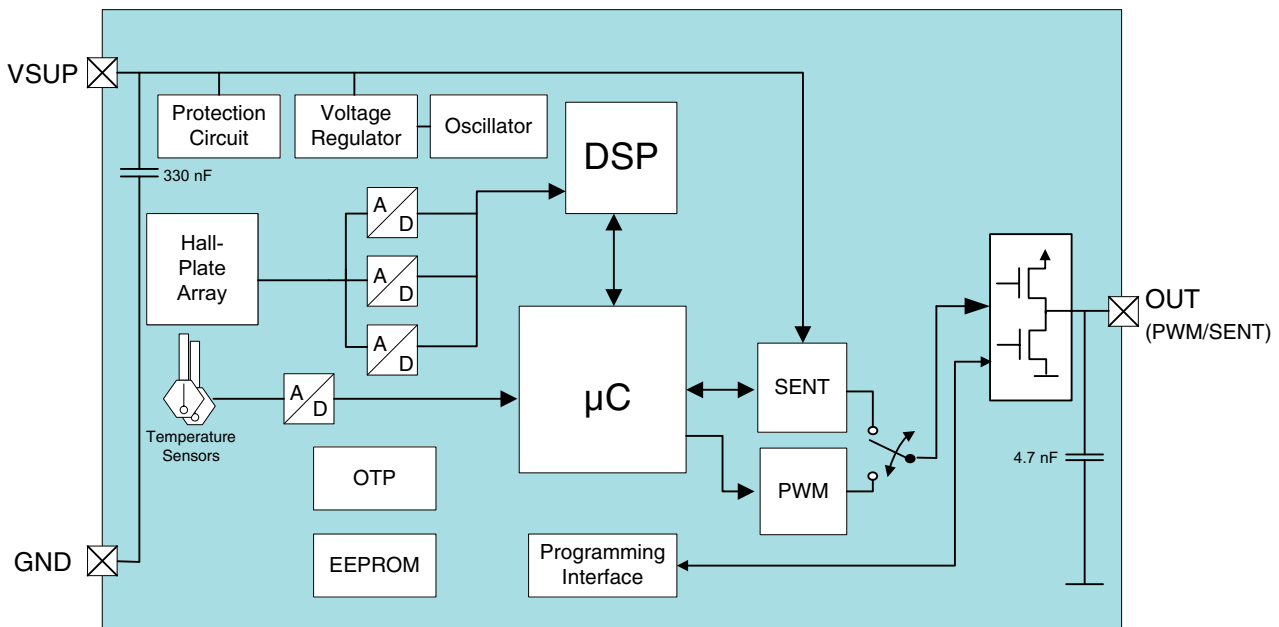


Fig. 3–2: HAC 3930 block diagram

3.2. Signal Path

The DSP part of this sensor performs the signal conditioning. The parameters for the DSP are stored in the non-volatile memory. Details of the overall signal path are shown in Fig. 3–3. Not all functions are available for all measurement modes. Depending the measurement setup, the signal path is scaled to the needs for the measurement setup.

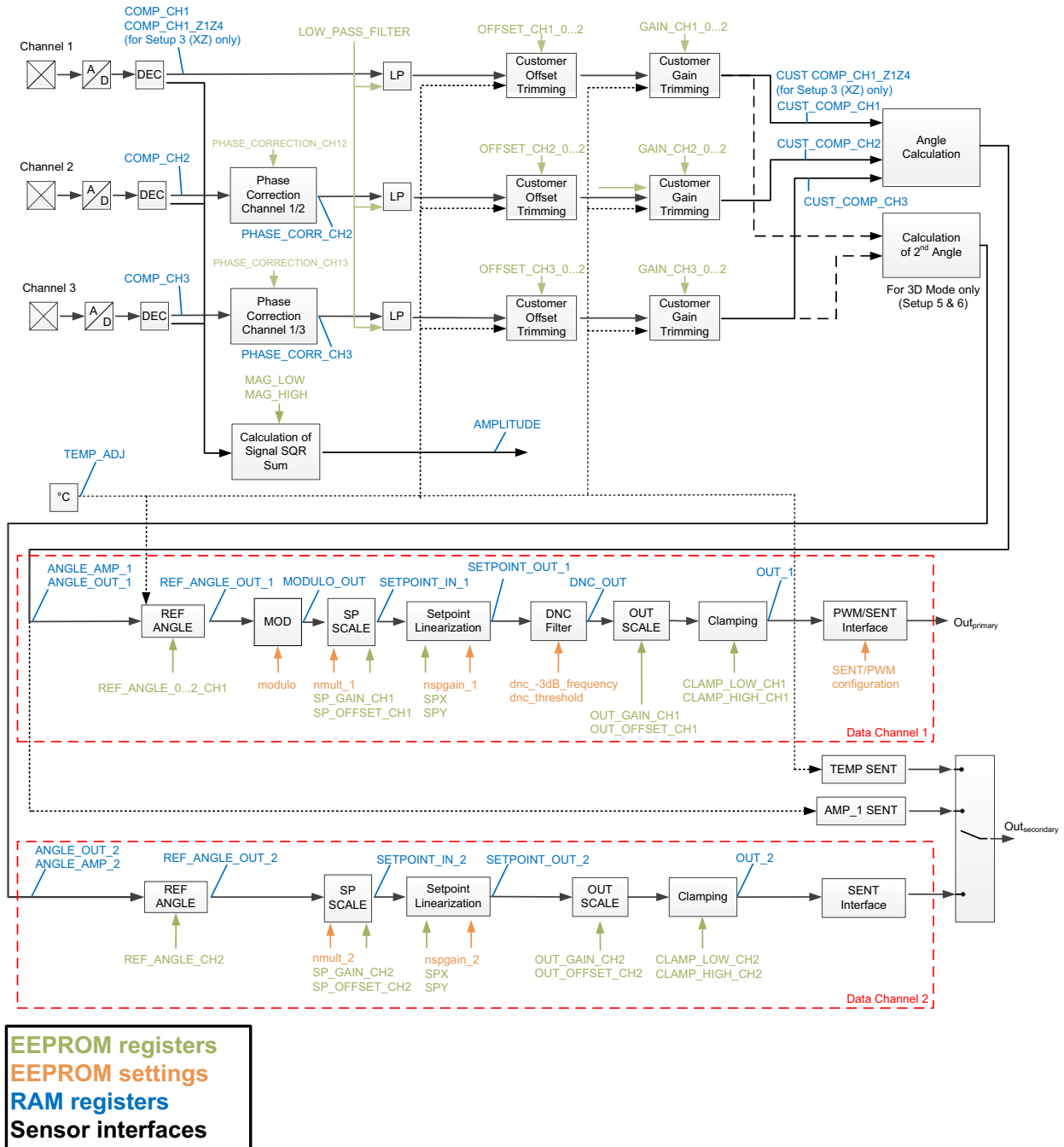


Fig. 3–3: Signal path of HAC 3930

The sensor signal path contains two kinds of registers. Registers that are read-only and programmable registers (non-volatile memory). The **read-only (RAM) registers** contain measurement data at certain steps of the signal path and the **non-volatile memory registers (EEPROM)** change the sensor's signal processing. **EEPROM settings** are individually configurable bits within an EEPROM register.

3.3. Register Definition

Note Further details about the programming of the device and detailed register setting description as well as memory map can be found in the document: HAL/HAR/HAC 393x User Manual.

3.3.1. RAM Registers

TEMP_TADJ

The TEMP_TADJ register contains already the TDK-Micronas compensated digital value of the sensor's junction temperature.

COMP_CH1, COMP_CH2 and COMP_CH3

COMP_CH1, COMP_CH2 and COMP_CH3 registers contain the TDK-Micronas temperature-compensated magnetic-field information of channel 1, channel 2 and channel 3.

COMP_CH1_Z1Z4

The COMP_CH1_Z1Z4 register is only available in case of Setup 3 and the $\Delta X \Delta Z$ mode. It contains the temperature compensated magnetic field information of the differential ΔZ magnetic-field $\Delta Z = Z4 - Z1$.

AMPLITUDE

The AMPLITUDE register contains sum of squares of the magnetic-field amplitude of all three signals calculated with the following equation. In case of two channels only the first two terms are used. This information is used for the magnet lost detection:

$$\text{AMPLITUDE} = \frac{\text{COMP_CH1}^2}{32768} + \frac{\text{COMP_CH2}^2}{32768} + \frac{\text{COMP_CH3}^2}{32768}$$

PHASE_CORR_CH2, PHASE_CORR_CH3

PHASE_CORR_CHx registers contain the customer-compensated magnetic-field information of channel 2 and channel 3 after customer phase-shift error correction using the PHASE_CORRECTION_CHx registers.

CUST_COMP_CH1, CUST_COMP_CH2 and CUST_COMP_CH3

CUST_COMP_CH1, CUST_COMP_CH2 and CUST_COMP_CH3 registers contain the customer-compensated magnetic-field information of channel 1, channel 2 and channel 3 used for the angle calculation. These registers contain already the customer phase-shift, gain and offset corrected data.

CUST_COMP_CH1_Z1Z4

The CUST_COMP_CH1_Z1Z4 register is only available in case of Setup 3 and the $\Delta X \Delta Z$ mode. It contains the customer-compensated magnetic-field information of the differential ΔZ magnetic-field $\Delta Z = Z4 - Z1$ used for the angle calculation.

ANGLE_OUT_x

The ANGLE_OUT_1 and ANGLE_OUT_2 registers contain the digital value of the position calculated by the angle calculation algorithm. ANGLE_OUT_1 is always available and ANGLE_OUT_2 is a customer configuration option only available for 3D measurements with on pixel cell enabling the calculation of a second angle out of B_x , B_y and B_z .

ANGLE_AMP_x

The ANGLE_AMP_1 and ANGLE_AMP_2 registers contain the digital value of the magnetic-field amplitude calculated by the angle calculation algorithm. ANGLE_AMP_1 is always available and ANGLE_AMP_2 is a customer configuration option only available for 3D measurements with on pixel cell enabling the calculation of a second angle out of B_x , B_y and B_z .

REF_ANGLE_OUT_x

The REF_ANGLE_OUT_x registers contain the digital value of the angle information after setting the reference angle defining the zero angle position.

MODULO_OUT

The MODULO_OUT register contains the digital value of the angle information after applying the modulo calculation algorithm. MODULO_OUT is only available for the primary angle output.

SETPOINT_IN_x

The SETPOINT_IN_x registers contain the digital value of the angle information after the setpoint scaling block and are the values used for the input of the setpoint linearization block.

SETPOINT_OUT_x

The SETPOINT_OUT_x registers contain the digital value of the angle information after the setpoint linearization block.

DNC_OUT

The DNC_OUT register contains the digital value of the angle information after the DNC filter. DNC_OUT is only available for the primary angle output.

OUT_x

The OUT_x registers contain the digital value of the angle information after all signal processing steps and depends on all customer configuration settings.

DIAGNOSIS

The DIAGNOSIS_0 and DIAGNOSIS_1 registers report certain failures detected by the sensor. HAC 3930 performs self-tests during power-up as well as continues system integrity tests during normal operation. The result of those tests is reported via the DIAGNOSIS_X registers (further details can be found in see Section 4.2. on page 40).

Micronas IDs

The MIC_ID1 and MIC_ID2 registers are both 16-bit organized. They are read only and contain TDK-Micronas production information, like X,Y position on the wafer, wafer number, etc. This register content will be send via the SENT interface if the serial message channel has been activated.

3.3.2. EEPROM Registers

Application Modes

HAC 3930 can be configured in different application modes. Depending on the required measurement task one of the application modes can be selected. The register SETUP_FRONTEND (Table 3–1 on page 27) is defining the different available modes.

– Setup 1: 180° rotary (stray-field compensated)

This mode uses six horizontal Hall plates to measure a 180° angular range. It requires a 4-pole magnet. Speciality of this mode is that the device can compensate stray-fields according ISO 11452-8 definition as well as disturbing gradients generated for example by a current conducting wire. Fig. 3–4 shows the related signal path.

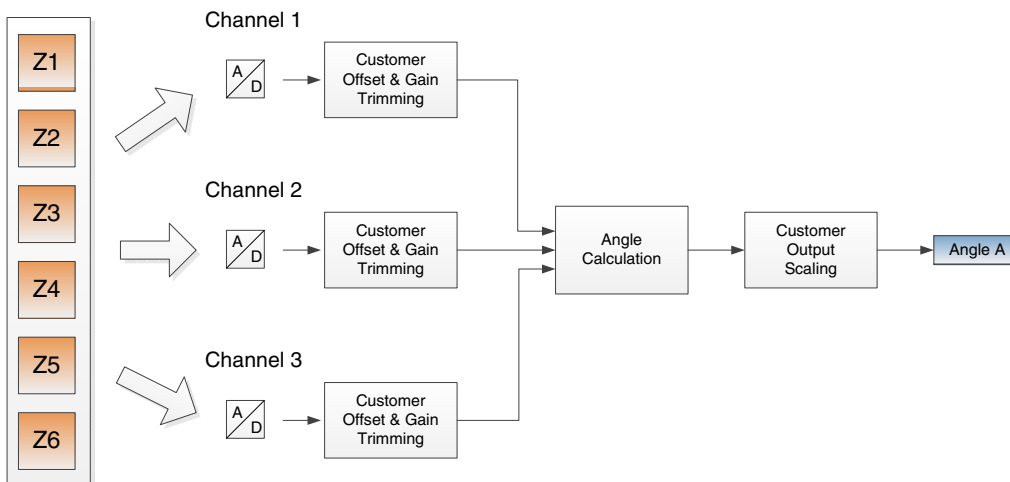


Fig. 3–4: Signal path diagram of setup 1 (stray-field robust 180° measurement)

– Setup 2: 360° rotary (stray-field compensated)

This mode uses horizontal Hall plates to measure a 360° angular range. It requires a 2-pole magnet. The device can compensate stray-fields according ISO 11452-8 definition. Fig. 3–5 shows the related signal path.

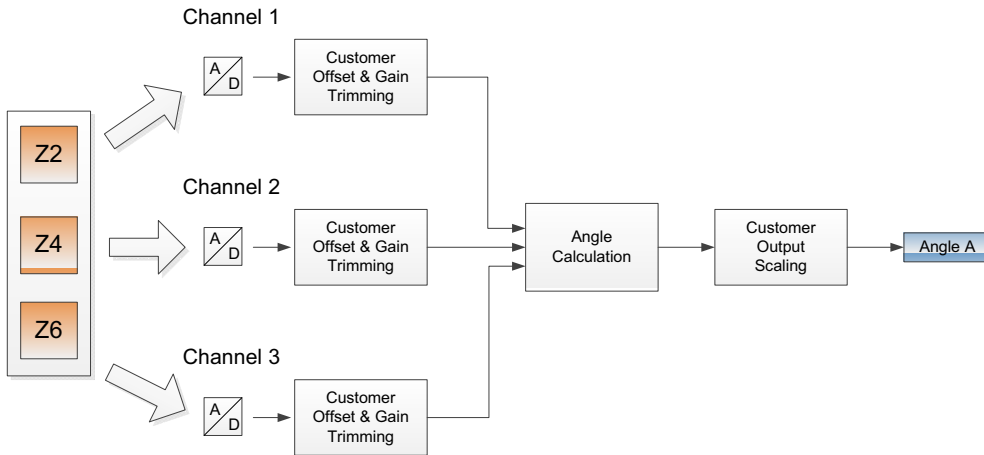


Fig. 3–5: Signal path diagram of setup 2 (stray-field robust 360° measurement)

– Setup 3: Linear movement or off-axis rotary (stray-field compensated)

This mode uses a combination of horizontal and vertical Hall plates to measure a stray-field compensated linear movement (ΔB_x & ΔB_z of 3D Pixel Cells 1 and 2). Alternatively this setup can be used as well for off-axis stray-field compensated angular measurements in case that a combination of vertical Hall plates is selected (ΔB_x & ΔB_y of 3D Pixel Cells 1 and 2). The device can compensate stray-fields according ISO 11452-8 definition. Fig. 3–6 shows the related signal path for the $\Delta X \Delta Y$ setup and Fig. 3–7 the signal path for the $\Delta X \Delta Z$ setup.

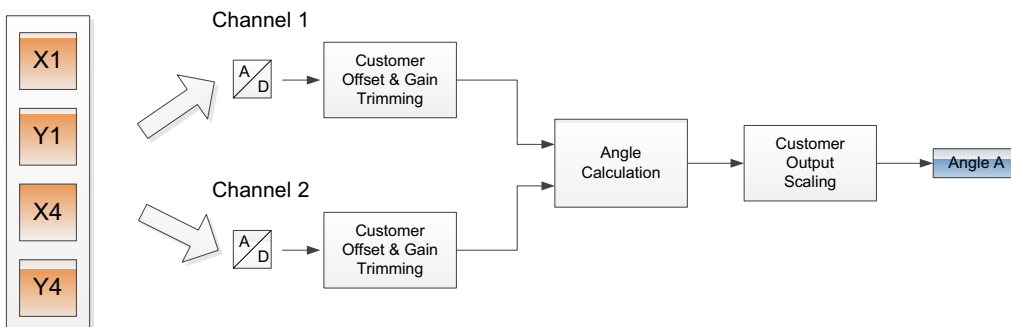


Fig. 3–6: Signal path diagram of setup 3a – $\Delta X \Delta Y$ (stray-field robust off-axis position detection)

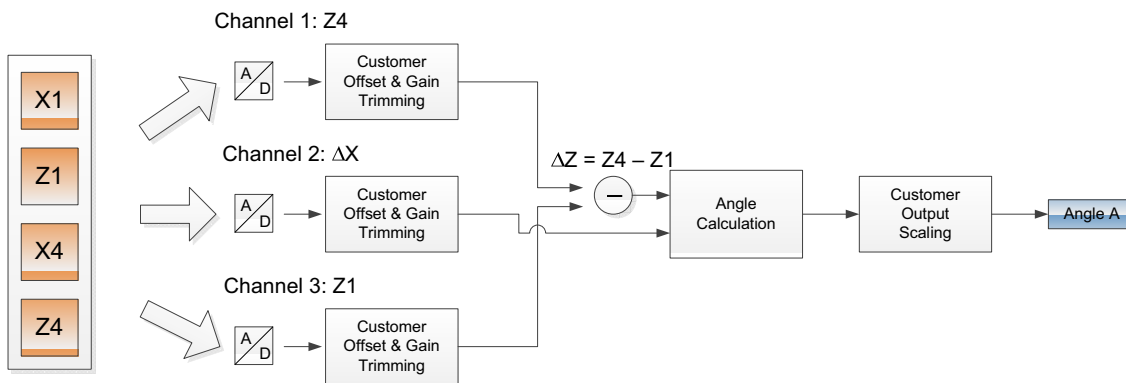


Fig. 3–7: Signal path diagram of setup 3b – $\Delta X\Delta Z$ (stray-field robust linear position detection)

For the linear movement setup, the angle calculation is done by using the following equation:

$$\text{ALPHA} = \text{ATAN2}\left(\frac{\Delta BZ}{\Delta BX}\right) = \text{ATAN2}\left(\frac{BZ_4 - BZ_1}{BX_4 - BX_1}\right)$$

For the off-axis rotary setup, the angle calculation is done by using the following equation:

$$\text{ALPHA} = \text{ATAN2}\left(\frac{\Delta BY}{\Delta BX}\right) = \text{ATAN2}\left(\frac{BY_4 - BY_1}{BX_4 - BX_1}\right)$$

Note GAIN_CH1_0...2 and GAIN_CH3_0...2 must be set to the same value for this specific setup. OFFSET_CH3_0...2 must be set to zero.

– Setup 4a: 360° rotary or linear movement measurement without stray-field compensation

This mode uses horizontal and vertical Hall plates to measure B_x , B_y , B_z of Pixel Cell 1. The angle will be calculated out of combinations of B_y/B_x , B_z/B_x or B_z/B_y . This mode does not compensate stray fields. The measurement setup is similar to the well known HAC 37xy family from TDK-Micronas.

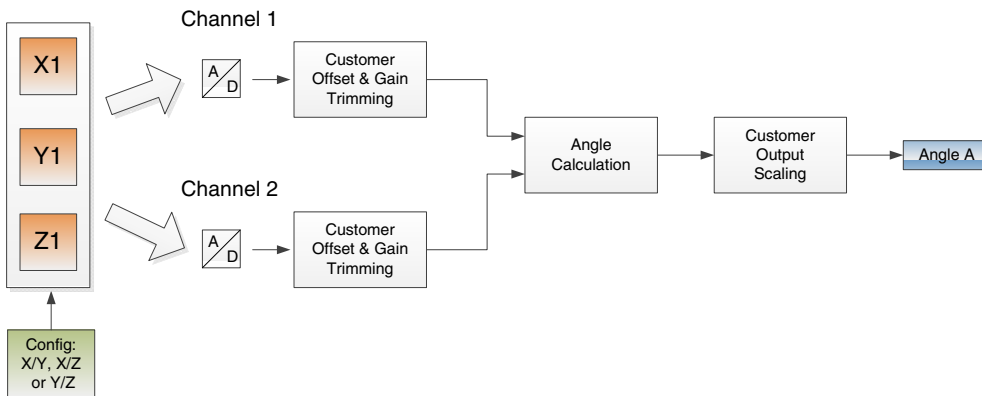


Fig. 3–8: Signal path diagram of setup 4a (Rotary or linear position detection w/o stray-field compensation)

– Setup 4b: Virtual centered pixel cell mode for 360° rotary or linear movement measurement (w/o stray-field compensation)

In addition to setup 4a, it is possible to select a virtual centered pixel cell mode (4b). In this mode the signals in X and Y direction of both Pixel Cells P1 and P2 are combined and averaged to generate one virtual centered pixel in the middle of the Hall-plate array.

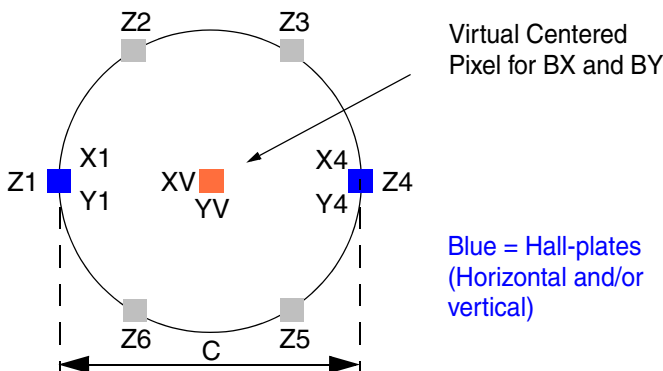


Fig. 3–9: Virtual centered pixel for B_x and B_y in mode 4b

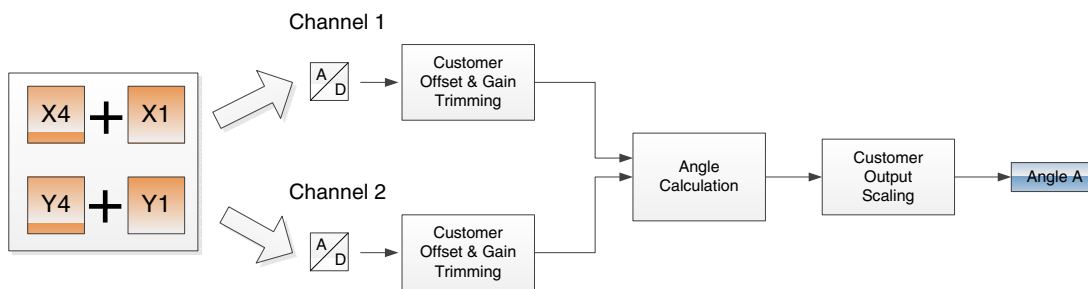


Fig. 3–10: Signal path diagram of setup 4b (virtual center pixel w/o stray-field compensation)

$$B_{XV} = \left(\frac{BX_1 + BX_4}{2} \right)$$

$$B_{YV} = \left(\frac{BY_1 + BY_4}{2} \right)$$

– Setup 5: 3D measurement with calculation of two angles (ARCTAN2 calculation)

This mode uses horizontal and vertical Hall plates to measure B_X , B_Y , B_Z of Pixel Cell 1. The angle will be calculated out of combinations of B_Z/B_X and B_Z/B_Y . This mode does not compensate any stray fields.

The angle calculation is done by using the following equations:

$$\text{ALPHA} = \text{ATAN2} \left(\frac{BZ}{BX} \right)$$

$$\text{BETA} = \text{ATAN2} \left(\frac{BZ}{BY} \right)$$

Both calculated angles are sent via SENT interface by using the H.1. format (Table 3–6 on page 33). See Fig. 3–11 for detailed signal path.

– Setup 6: 3D measurement with calculation of two angles (joystick equation)

This mode uses horizontal and vertical Hall plates to measure B_x , B_y , B_z of Pixel Cell 1. The angle will be calculated by a special equation optimized for “joystick” setups. This mode does not compensate any stray fields.

The angle calculation is done by using the following equations:

$$\text{ALPHA} = \text{ATAN}\left(\frac{\sqrt{\text{CUST_COMP_CH1}^2 + (\text{JOYSTICK_KT} \times \text{CUST_COMP_CH3})^2}}{\text{CUST_COMP_CH2}}\right)$$

$$\text{BETA} = \text{ATAN}\left(\frac{\sqrt{\text{CUST_COMP_CH1}^2 + (\text{JOYSTICK_KT} \times \text{CUST_COMP_CH2})^2}}{\text{CUST_COMP_CH3}}\right)$$

Both calculated angles are sent via SENT interface by using the H.1. format (Table 3–6 on page 33).

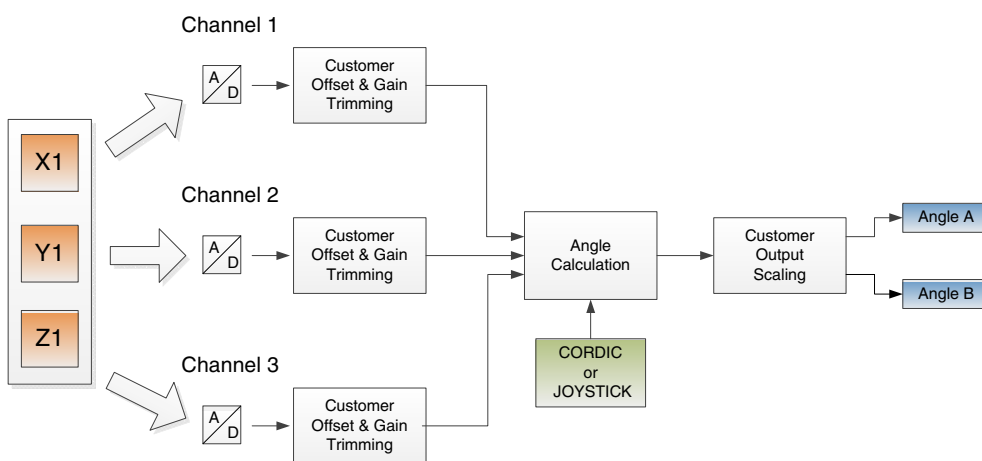


Fig. 3–11: Signal path diagram of setup 5 & 6 (3D measurement setup)

JOYSTICK_KT

The equation for the angle calculation in Setup 6 (Joystick 3D measurement) is using a gain factor JOYSTICK_KT. JOYSTICK_KT is a 16 bit register.

Customer IDs

The customer ID registers (CUSTOMER_ID0 to CUSTOMER_ID9) contains of ten times 16-bit words and can be used to store customer production information, like serial number, project information for PWM output. Additionally they are used to code SENT slow channel information like OEM codes, sensor type information and fast channel transfer characteristics. The customer IDs will be part of the SENT slow channel in case that the SENT output is activated and transmission via slow channel is selected as well. Please see Table 3–13 on page 38 for further details.

Magnetic Range Check

The magnetic range check uses the AMPLITUDE register value and compares it with an upper and lower limit threshold defined by the customer programmable registers MAG_LOW and MAG_HIGH. If either low or high limit is exceeded, the sensor will indicate an error.

Mag-Low Limit

MAG_LOW defines the low level for the magnetic-field range check function.

Mag-High Limit

MAG-HIGH defines the high level for the magnetic-field range check function.

MAG_LOSS_OUTPUT

The MAG_LOSS_OUTPUT register has two different functions depending on the selected output format.

The device will transmit the register value as PWM duty-cycle in case of magnet loss detection (AMPLITUDE is below the Mag-Low limit). The 12 LSBs are used for the 2 kHz PWM frequency and the 13 LSBs for all other frequencies. Default value is (0x0FAD = 98% for the 12 bit value).

The device will send the 12 LSBs of this register in case of an activated SENT output and if the bit sent_mag_loss of the SETUP_PROTOCOL register has been set to one.

Phase Correction

PHASE_CORRECTION_CH12 and PHASE_CORRECTION_CH13 can be used to compensate a phase shift of channel 2 and channel 3 in relation to channel 1.

Neutral value for the registers is zero (no phase-shift correction).

Low-Pass Filter

With the LOW_PASS_FILTER register it is possible to select different –3 dB frequencies for HAC 3930. The default value is zero (low pass filter disabled). The filter frequency is valid for all channels.

OFFSET_CHx_0...2

OFFSET_CH1_0...2, OFFSET_CH2_0...2 and OFFSET_CH3_0...2 support three polynomials of second order and describes the temperature compensation of the offset of channel 1, channel 2 and channel 3 (compensating a remaining offset in each of the three channels). This means a constant, linear and quadratic offset factor can be programmed for up to three channels (temperature-dependent offset).

Note OFFSET_CH3_0...2 must be set to zero in case of Setup 3 with $\Delta X\Delta Z$ mode.

GAIN_CHx_0...2

GAIN_CH1_0...2, GAIN_CH2_0...2 and GAIN_CH3_0...2 support three polynomials of second-order and describe the temperature compensation of the sensitivity of channel 1, channel 2 and channel 3 (compensating the amplitude mismatches between three channels). This means a constant, linear and quadratic gain factor can be programmed individually for the three channels (temperature-dependent gain).

Note GAIN_CH3_0...2 must be set to the same value of GAIN_CH1_0...2 in case of Setup 3 with $\Delta X\Delta Z$ mode

Reference Angle Position

The output signal zero position defines the reference position for the angle output and therefore it is possible to shift the discontinuity in the output characteristics out of the measurement range with these parameters. It can be set to any value of the angular range.

REF_ANGLE_0...2_CH1 defines a polynomial of second order with REF_ANGLE_0_CH1 (constant part), REF_ANGLE_1_CH1 (linear part) and REF_ANGLE_2_CH1 (quadratic part). REF_ANGLE_CH2 is temperature independent (constant factor) and only available in case that the secondary channel is activated.

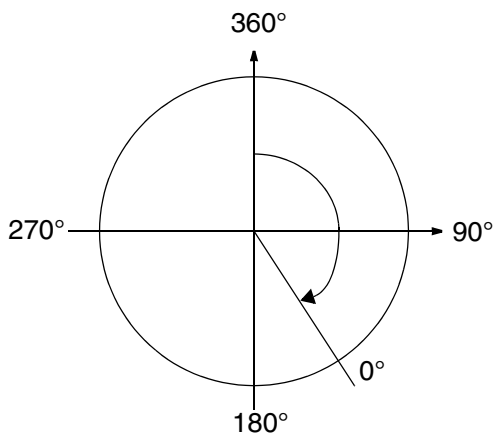


Fig. 3–12: Example definition of zero degree point

Modulo Select

HAC 3930 can split the 360° measurement range into subranges of 90°, 120°, and 180°. For example in the 90° subrange output signal is repeating after 90°. The MODULO register can be used to select between these four different output ranges. Modulo function can only be applied on the primary output channel.

The desired modulo calculation can be selected by setting certain bits in the SETUP_FRONTEND register.

nmult_x (EEPROM Setting)

nmult_1 and nmult_2 are defining the gain exponent for the setpoint scaling block on the data channel. The factor is multiplied by SP_GAIN_CHx to achieve gain factors up to 128. (SETUP_DATAPATH[11:9] bits (= nmult_2), SETUP_DATAPATH[7:5] bits (= nmult_1)).

Setpoint Gain

SP_GAIN_CH1 and SP_GAIN_CH2 define the output gain for the primary and secondary data channels. They are used to scale the position information to the input range of the linearization block. SP_GAIN_CH2 is only available for modes with a calculation of a secondary angle.

Setpoint Offset

SP_OFFSET_CH1 and SP_OFFSET_CH2 define the output offset for the primary and secondary data channels. SP_OFFSET_CH2 is only available for modes with a calculation of a secondary angle.

Setpoint Linearization

The setpoint linearization block enables the linearization of the sensor's output characteristic for the customer's application. For fixed setpoints it consists of 33 setpoints for one data channel (SP0, SP1, ..., SP32) or 34 setpoints for two channels (17 setpoints each data channel; two times SP0, SP1, ..., SP16). Each setpoint is defined by its fixed x position and its programmable y value. The setpoint x positions (SP(n)_X) are equally distributed between $-32768 \dots 32767$ LSB along the signal range.

If variable setpoints are enabled (SETUP_DATAPATH[0] = 1), both position values (x and y) of the setpoints are programmable.

The setpoint registers have a length of 16 bits and are two's complement coded. Therefore the setpoint register values can vary between $-32767 \dots 32767$ LSB. The setpoint x values are stored as absolute values and the setpoint y values differentially to the corresponding x values. The setpoint register values are initially set to 0 (neutral) by default.

The setpoint linearization block works in a way that the incoming signal (SETPOINT_IN_x value) is interpolated linearly between two adjacent setpoints (SP(n) and SP(n+1)). The resulting SETPOINT_OUT_x register value represents the angular information after the setpoint scaling.

In case of variable setpoints are selected nspgain_x (nspgain_1 & nspgain_2) register must be used.

nspgain_x (EEPROM Settings)

The SETUP_DATAPATH[15:12] bits (= nspgain_2) and SETUP_DATAPATH[4:1] bits (= nspgain_1) set the gain exponent for the setpoint slope on data channel 1 and 2. With the 4 bits it is possible to get gains up to 65536.

DNC Filter Registers (dnc_–3dB_frequency & dnc_threshold)

The DNC (Dynamic Noise Cancellation) filter decreases the output noise significantly by adding a low pass filter with a very low cut-off frequency for signals below a certain signal change threshold (dnc_threshold, DNC[15:8]). The attenuation factor dnc_–3dB_frequency of this IIR filter can be selected by the bits DNC[7:0] of the DNC register. Both parameters have a length of 8 bits.

Signals with a very low amplitude (signals classified as noise e.g. $\pm 0.5^\circ$) and periodic movements with an amplitude lower than 1° will be filtered whereas signals with a higher amplitude are untouched (i. e. rapid movements). The activation of the DNC filter has no impact on the resolution of the output and does not add any additional processing delay.

For dnc_threshold only values from 0 to 255 are allowed. For the dnc_–3dB_frequency only cutoff frequencies up to 50% of the sample frequency ($0.5 * f_{dec sel}$) are allowed. To disable the DNC filter both registers must be set to 0.

OUT_OFFSET_CHx

The registers OUT_OFFSET_CH1 and OUT_OFFSET_CH2 are used as the final offset scaling stage for the desired output signal. The registers have a length of 16 bits and are two's complement-coded.

OUT_GAIN_CHx

The registers OUT_GAIN_CH1 and OUT_GAIN_CH2 are used as the final gain scaling stage for the desired output signal. They can also be used to invert the output signal. The registers have a length of 16 bits and are two's complement-coded.

Clamping Levels (CLAMP-LOW & CLAMP-HIGH)

The clamping levels CLAMP_LOW_CH1/CH2 and CLAMP_HIGH_CH1/CH2 define the maximum and minimum output values. All four registers have a length of 16 bits and are two's complement-coded. Both clamping levels can have values between 0 % and 100 %.

PWM_STD_ERROR

The PWM_STD_ERROR register defines the output duty-cycle for the PWM output in case of an internal error (except MAG_LOW or under-/overvoltage error indication). The 12 LSBs are used for the 2 kHz PWM frequency and the 13 LSBs for all other frequencies. Default value is (0x0FEB = 99.5% for the 12 bit value).

Supply Voltage Supervision

As the device supports a wide supply voltage range, it is beneficial to enable customer-programmable under/overvoltage detection levels. The register UV_LEVEL defines the undervoltage detection level in mV and OV_LEVEL the overvoltage detection level. The SUPPLY_SUPERVISION register has a length of 16 bits. OV_LEVEL is using the 8 MSBs and UV_LEVEL the 8 LSBs. For both levels, 1 LSB is typically equal to 100 mV.

Customer Configuration Registers

SETUP_FRONTEND, SETUP_DATAPATH and SETUP_OUTPUT registers are 16-bit registers that enables the customer to activate various functions of the sensor. The below table describes in detail the available combinations and resulting functions.

Table 3–1: SETUP_FRONTEND

Bit No.	Function	Description				
15	customer_lock	Customer Lock: 0: Unlocked 1: Locked				
14:8	–	Must be set to 0.				
7:6	modulo	Modulo operation: 00: 360° 01: Modulo 90° 10: Modulo 120° 11: Modulo 180°				
5:4	fdecsel	A/D converter sample frequency: 00: 2 kSps 01: 4 kSps 10: 8 kSps 11: not supported				
3:0	meas_config	Measurement setups: 0000: Setup 4a – 2D 0001: Setup 4a – 2D 0010: Setup 4a – 2D 0011: Setup 3b – 2D: Stray-field compensated 0100: Setup 3a – 2D: Stray-field compensated 0101: Setup 4b – 2D: Virtual center pixel 0110: Setup 1 – 180° rotary: Stray-field compensated 0111: Setup 2 – 360° rotary: Stray-field compensated 1000: Setup 5 – 3D measurement – ATAN2 1001: Setup 5 – 3D measurement – Joystick 1010 to 1111: Must not be used	Correspond. Signal Path With two channels With two channels With two channels With two channels With two channels With two channels 6 Z Hall-plates 3 Z Hall-plates With three channels With three channels –	CH1 X1 Z1 Z1 Z4 X4-X1 X1+X4 Z1+Z4 Z4 Z1 Z1 –	CH2 Y1 Y1 X1 X4-Y1 Y1+Y4 Z2+Z5 Z6 X1 X1 –	CH3 – – – Z1 – – Z3+Z6 Z2 Y1 Y1 –

Table 3–2: SETUP_DATAPATH

Bit No.	Function	Description
15:12	nspgain_2	Gain exponent for setpoint slope in channel 2: Slope = SP _{Gn} * [2 ^(nspgain_2+1)]
11:9	nmult_2	Gain exponent for SETPOINT_IN2: SP_GAIN = SP_GAIN_CH2 * [2 ^(nmult_2)]
8	two_channels	Activation of second output channel 0: 1 channel with setpoints 1: 2 channels with setpoints each
7:5	nmult_1	Gain exponent for SETPOINT_IN1: SP_GAIN = SP_GAIN_CH1 * [2 ^(nmult_1)]
4:1	nspgain_1	Gain exponent for setpoint slope in channel 1: Slope = SP _{Gn} * [2 ^(nspgain_1+1)]
0	variable_setpoints	Fixed/variable setpoint selection: 0: Fixed setpoints 1: Variable setpoints

The SETUP_OUTPUT register is used to configure the output pin. The output can be configured as push-pull output with different slew rates ($V_{OUTmax} < 5.5\text{ V}$) or as an open-drain output without slew rate control. In case of open-drain configuration the max. output voltage is V_{SUP} and the protection diode is still connected to V_{SUP} so that V_{OUT} shall not be higher than V_{SUP} .

Furthermore, this register is used to define the error behavior in case of a PWM output, the signal frequencies as well as the configuration of the SENT output. Further details can be found in below table (Fig. 3–3).

Table 3–3: SETUP_OUTPUT

Bit No.	Function	Description
15	primary_out	Primary output protocol selection: 0: PWM 1: SENT
14	–	Must be set to 0.
PWM Output (SETUP_OUTPUT[15] = 0)		
13:10	pwm_slew_rate	PWM slew rates: 0xxx: slew rate control disabled 1000: Fall = 5 V/0.5 μ s, Rise = 5 V/0.5 μ s 1001: Fall = 5 V/0.5 μ s, Rise = 5 V/1.3 μ s 1010: Fall = 5 V/0.7 μ s, Rise = 5 V/0.7 μ s 1011: Fall = 5 V/0.7 μ s, Rise = 5 V/2.6 μ s 1100: Fall = 5 V/1.3 μ s, Rise = 5 V/1.3 μ s 1101: Fall = 5 V/1.3 μ s, Rise = 5 V/5.2 μ s 1110: Fall = 5 V/2.6 μ s, Rise = 5 V/2.6 μ s 1111: Fall = 5 V/2.6 μ s, Rise = 5 V/10.4 μ s Measured from 1.1V to/from 3.8 V with $C_{LOUT} = 1\text{ nF}$
9:8	–	Must be set to 0.
7	pwm_open_drain	This bit defines if OUT is used as push-pull or open-drain output. 0: Push-pull 1: Open-drain (protection diode to VSUP still connected)
6	pwm_uvov_diag	Output behavior for undervoltage/overvoltage detection 0: Will be signalized as selected for all other diagnosis bits 1: Will be signalized with 2 % duty-cycle
5	pwm_inverted	PWM inverted: 0: Disabled 1: Enabled
4	–	Reserved
3:0	pwm_frequency	Min. PWM frequency 0000: 2.0 kHz 0001: 1.5 kHz 0010: 1.0 kHz 0011: 800 Hz 0100: 550 Hz 0101: 500 Hz 0110: 250 Hz 0111: 200 Hz 1000: 150 Hz 1001: 125 Hz 1010: 100 Hz 1011 to 1111: Not allowed Typical values are 3% higher.

Table 3–3: SETUP_OUTPUT, continued

Bit No.	Function	Description	
SENT Output (SETUP_OUTPUT[15] = 1)			
13:10	sent_slew_rate	SENT slew rates: 0xxx: slew rate control disabled 1000: Fall = 5 V/0.5µs, Rise = 5 V/0.5µs 1001: Fall = 5 V/0.5µs, Rise = 5 V/1.3µs 1010: Fall = 5 V/0.7µs, Rise = 5 V/0.7µs 1011: Fall = 5 V/0.7µs, Rise = 5 V/2.6µs 1100: Fall = 5 V/1.3µs, Rise = 5 V/1.3µs 1101: Fall = 5 V/1.3µs, Rise = 5 V/5.2µs 1110: Fall = 5 V/2.6µs, Rise = 5 V/2.6µs 1111: Fall = 5 V/2.6µs, Rise = 5 V/10.4 µs Measured from 1.1V to/from 3.8 V with C _{LOUT} = 1 nF	
9:8	sec_out	Secondary output selection (2 nd fast channel SENT): 0: Reserved 1: Transmission of second angle (SENT format H.1 – Table 3–5 on page 32) 2: Transmission of magnetic amplitude (SENT format H.1 – Table 3–5 on page 32) 3: Transmission of chip temperature (SENT format H.1 – Table 3–5 on page 32)	
7:4	sent_tt	SENT tick time selection (typ. value) 0000: 0.50 µs 0001: 1.00 µs 0010: 1.50 µs 0011: 2.00 µs 0100: 2.50 µs 0101: 2.75 µs 0110: 3.00 µs 0111: 6.00 µs 1000: 12.0 µs 1001 to 1111: Reserved and mapped to 0 Note: Not all combinations of tick time and repetition rate are possible.	
3:0	sent_fr	SENT data rate 0000: Not allowed 0001: 4.00 kHz 0010: 2.66 kHz 0011: 2.00 kHz 0100: 1.60 kHz 0101: 1.00 kHz 0110: 0.80 kHz 0111: 0.50 kHz	SENT message length 1000: 225 ticks 1001: 239 ticks 1010: 250 ticks 1011: 269 ticks 1100: 294 ticks 1101: 366 ticks 1110: 375 ticks 1111: 450 ticks

3.4. SENT Output Protocol

HAC 3930 complies with the SAEJ2716 standard rev. 4 and supports the following three frame formats:

- H.1 Format: Two 12-bit fast channels
 - A.1 Dual Throttle Position Sensors: 3 nibble position information and 3 nibble negated position information (1-position)
 - A.7 Position Sensors: 3 nibble position information and 3 nibble second position information or temperature information or magnetic-field amplitude
- H.2 Format: One 12-bit fast channel (3 nibble position information)
- H.4 Format: Secure Single Sensors with 12-bit fast channel (3 nibble position information) and 12-bit secure sensor information

All frame formats are customer selectable via bits (Table 3–4 on page 30).

Beside the supported frame formats, a lot of other SENT interface parameter can be configured by the customer, like tick time, pause pulse, start-up behavior, transmission of error codes, serial message channel content, etc. All configurable parameter are defined in Table 3–3 and Table 3–4.

In SENT output mode the unidirectional communication from the sensor to a receiver module (e.g. an Electronic Control Unit) occurs independently of any action of the receiver module. It does not require any synchronization signal from the receiver module and does not include a coordination signal from the controller/receiving devices.

Table 3–4: SETUP_PROTOCOL

Bit No.	Function	Description
15:14	sent_fchf	SENT fast channel data format: 00: H.2 format: 12-bit fast channel (3 nibble position information) 01: H.4 format: Secure Single Sensors 10: H.1 format: A.1 Format for Dual Throttle Position Sensors 11: H.1 format: A.7 Format with 3 nibble position information and secondary channel
13:12	sent_lowt	SENT low time: 00: 3 ticks 01: Not allowed 10: 5 ticks 11: 6 ticks
11	sent_crc	0: CRC according SAE J2716 > rev. 2 (2010) 1: CRC according SAE J2716 rev. 1 (2008 – legacy CRC)
10	sent_scrc	Include STATUS nibble in CRC 0: Disabled (According SENT SAE J2716) 1: Enabled

Table 3–4: SETUP_PROTOCOL, continued

Bit No.	Function	Description
9	sent_sub	Definition of start-up behavior: 0: Transmission of 4094 during start-up 1: Transmission of 0 during start-up (recommended by SENT SAE J2716)
8	sent_pp	Pause pulse activation 0: Disabled (SENT continuous) 1: Enabled (SENT with pause pulse)
7	sent_mag_loss	Defines the behavior of the SENT output in case of magnet loss: 0: Fast channel value 4091 or 4095 depending on sent_fchf 1: Fast channel value = MAG_LOSS_OUTPUT register value (fast channel status bits not set and no error on slow channel)
6	sent_err	Definition of error status bits (see Section 3.4.4. on page 35): 0: Always zero 1: According to SAE J2716
5	sent_ferr	Definition of fast channel error codes 0: Disabled 1: Enabled
4	sent_schf	Slow serial channel format: 0: No serial message channel 1: 12-bit enhanced serial message format
3:1	sent_schc	Selection which blocks have to be send in addition to block 1 in the slow channel: xx1: Block 2 x1x: Block 3 1xx: Block 4 + 5
0	sent_sdf	SENT SDF mode: 0: Send diagnosis info in front of every block 1: Send diagnosis info in front of every ID

3.4.1. H.1 Format: 6 Data Nibble Frame with Two Fast Channels

In this SENT mode the sensor transmits SENT frames with 6 data nibbles.

Two different application specific protocols are supported:

- A.1 Dual Throttle Position Sensors
- A.7 Position Sensors

In case of A.1 the first 3 data nibbles contain a 12-bit position information and the second 3 data nibbles contain the negated position of the first 3 nibbles (1-position).

Clamping of the output signal is done by the selected CLAMP_LOW and CLAMP_HIGH register values.

In case of A.7 the first 3 data nibbles contain a 12-bit position information and the second 3 data nibbles contain a 12-bit temperature information, 12-bit magnetic-field amplitude information or a second angle (customer configurable: Table 3–3). They are formatted according to Table 3–6.

Table 3–5: Nibble description for H.1 A.1 format

Pulse		Remarks
#	Description	
1	Synchronization/Calibration	It is mandatory to measure the synchronization / calibration period for calibration of the clock tick time t_{tick} at the ECU
2	4-bit Status & Communication Nibble	Status [0...1]: According selection in Table 3–4 bits[6] Status [2...3]: According selection in Table 3–4 bit[4]
3	4-bit Data Nibble MSN 1	Position Value [11:8]
4	4-bit Data Nibble MidN 1	Position Value [7:4]
5	4-bit Data Nibble LSN 1	Position Value [3:0]
6	4-bit Data Nibble LSN 2	Negated Position Value [3:0]
7	4-bit Data Nibble MidN 2	Negated Position Value [7:4]
8	4-bit Data Nibble MSN 2	Negated Position Value [11:8]
9	4-bit CRC Nibble	According selection in Table 3–4 bit[11]
10	Pause Pulse	According selection in Table 3–4 bit[8]

Table 3–6: Nibble description for H.1 A.7 format

Pulse		Remarks
#	Description	
1	Synchronization/Calibration	It is mandatory to measure the synchronization / calibration period for calibration of the clock tick time t_{tick} at the ECU
2	4-bit Status & Communication Nibble	Status [0...1]: According selection in Table 3–4 bits[6] Status [2...3]: According selection in Table 3–4 bit[4]
3	4-bit Data Nibble MSN 1	Position Value [11:8]
4	4-bit Data Nibble MidN 1	Position Value [7:4]
5	4-bit Data Nibble LSN 1	Position Value [3:0]
6	4-bit Data Nibble LSN 2	Value [3:0]: According selection in Table 3–3 bits[9:8]
7	4-bit Data Nibble MidN 2	Value [7:4]: According selection in Table 3–3 bits[9:8]
8	4-bit Data Nibble MSN 2	Value [11:8]: According selection in Table 3–3 bits[9:8]
9	4-bit CRC Nibble	According selection in Table 3–4 bit[11]
10	Pause Pulse	According selection in Table 3–4 bit[8]

3.4.2. H.2 Format: 3 Data Nibble Frame with One Fast Channel

Following application specific protocol is supported:

- A.7 Position Sensors

In this mode the sensor transmits SENT frames with 3 data nibbles containing 12-bit position information. They are formatted according to Table 3–7.

Table 3–7: Nibble description for 3 data nibble frame format with one fast channel

Pulse		Remarks
#	Description	
1	Synchronization/Calibration	It is mandatory to measure the synchronization / calibration period for calibration of the clock tick time t_{tick} at the ECU
2	4-bit Status & Communication Nibble	Status [0...1]: According selection in Table 3–4 bits[6] Status [2...3]: According selection in Table 3–4 bits[4]
3	4-bit Data Nibble MSN 1	Position Value [11:8]
4	4-bit Data Nibble MidN 1	Position Value [7:4]
5	4-bit Data Nibble LSN 1	Position Value [3:0]
6	4-bit CRC Nibble	According selection in Table 3–4 bit[11]
7	Pause Pulse	According selection in Table 3–4 bit[8]

3.4.3. H.4 Format: Secure Single Sensors with 12-bit Fast Channel

Following application specific protocol is supported:

- A.7 Position Sensors

In this SENT mode the sensor transmits SENT frames with 3 data nibbles containing 12-bit position information as well as 3 data nibbles containing 12-bit secure sensor information. The secure sensor information consists of an 8-bit rolling counter and the inverted copy of the MSN of the transmitted position information. They are formatted according to Table 3–8.

Table 3–8: Nibble description for 6 data nibble frame format with secure information

Pulse		Remarks
#	Description	
1	Synchronization/Calibration	It is mandatory to measure the synchronization / calibration period for calibration of the clock tick time t_{tick} at the ECU
2	4-bit Status & Communication Nibble	Status [0...1]: According selection in Table 3–4 bits[6] Status [2...3]: According selection in Table 3–4 bit[4]
3	4-bit Data Nibble MSN 1	Position Value [11:8]
4	4-bit Data Nibble MidN 1	Position Value [7:4]
5	4-bit Data Nibble LSN 1	Position Value [3:0]
6	4-bit Data Nibble MSN 2	Rolling Counter MSN
7	4-bit Data Nibble MidN 2	Rolling Counter LSN
8	4-bit Data Nibble LSN 2	Inverted Copy of Data Nibble MSN 1
9	4-bit CRC Nibble	According selection in Table 3–4 bit[11]
10	Pause Pulse	According selection in Table 3–4 bit[8]

3.4.4. Error Diagnostic Reporting on Fast Channel and Status Bits

The error diagnostic reporting is customer configurable. By setting the bits[6] in the SETUP_PROTOCOL register (see Table 3–4 on page 30) different error handling can be activated:

- Always zero: Status bits are always set to zero independent from an error
- Error indication according to SAE J2716 rev. 4: The Status bits are set to one in case of “sensor error indication” or “sensor functionality and processing error indication”

In addition, the diagnostic can be reported through the 12-bit payload of channel 1 and/or channel 2. Below table shows the values that will be send in case of an internal error.

Table 3–9: Error codes transmitted on fast channel 1 and/or 2

Error	Code		A.1 Mode	
	CH 1	CH 2	CH1	CH2
A.1 error code ²⁾	–	–	4095	4095
Sensor error indication ²⁾	4091	4091	N/A	N/A
Sensor functionality and processing error indication	4090	4090	–	–
Data Clamping: High	1)	1)	1)	1)
Data Clamping: Low	1)	1)	1)	1)
¹⁾ The output will clamp according the settings for CLAMP_HIGH and CLAMP_LOW. ²⁾ In case that sent_mag_loss in the SETUP_PROTOCOL register is et to 0.				

A description with the mapping of internal errors with “Sensor error indication” and “Sensor functionality and processing error indication” can be found in Table 3–14 on page 39.

The transmission of error codes on fast channel 1 and/or 2 can be deactivated by a customer EEPROM bit (bit[5] of SETUP_PROTOCOL, Table 3–4 on page 30). The sensor will then continue to transmit measurement data. Status error bits will be transmitted according bit[6] in the SETUP_PROTOCOL register. In case that bit[7] of the SETUP_PROTOCOL register is activated a magnet loss detection will not be indicated as an error. The device will transmit instead the value of the MAG_LOSS_OUTPUT register.

3.4.5. Pause Pulse

HAC 3930 offers two options for the pause pulse. It can be enable or disabled. In case that the pause pulse is enabled it is present at the end of every frame as defined by the SAE J2716 standard (PPC). There is no pause pulse in case it is disabled by the customer (NPP). In that case the falling edge after the CRC nibble is identical with the leading edge at the beginning of the next frame.

- **PPC:** The length of the pause pulse is automatically adjusted in order to achieve a constant frame length independent from the message content. The overall length can be defined by the sent_fr bits (SETUP_OUTPUT bits [3:0]). Two different types of PPC are supported. For the first type the overall frame length is defined in fixed multiples of the tick time and for the second type the frame length is adapted to the selected sample rate (see Table 3–3 on page 28 bits 3:0).

Table 3–10: Message length for ticks PPC (ticks related)

SETUP_OUTPUT [3:0]	1000	1001	1010	1011	1100	1101	1110	1111
ticks PPC	225	239	250	269	294	366	375	450

Following PPC message length are supported for the various frame formats:

Table 3–11: Recommended PPC message length

ticks PPC	H.1 A.1 Format: 6 Data Nibble Frame	H.1 A.7 Format: 6 Data Nibble Frame	H.2 A.7 Format: 3 Data Nibble Frame	H.4 A.7: Secure Single Sensor
	PP Length [ticks]	PP Length [ticks]	PP Length [ticks]	PP Length [ticks]
225	–	–	36	–
239	–	–	50	–
250	–	–	61	–
269	44	–	80	–
294	69	24	105	39
366	141	96	177	111
375	150	105	186	120
450	225	180	261	195

Table 3–12: Message repetition rate for PPC (sampling aligned)

SETUP_OUTPUT [3:0]	0000	0001	0010	0011	0100	0101	0110	0111
Frequency PPC [kHz]	–	4.00	2.66	2.00	1.60	1.00	0.80	0.50

- **NPP:** In case of deactivated pause pulse (npp) it is possible that some samples may be transmitted twice in series due to the fact that the message time can be shorter than the sample time. Status bit[0] will then be set to one in case that a sample is transmitted twice.

3.4.6. CRC Implementation

HAC 3930 supports the recommended CRC implementation defined in SAEJ2716 rev. 4. The legacy CRC can also be activated by bit[11] in the SETUP_PROTOCOL register (see Table 3–4 on page 30). It is possible to include the status nibble in the CRC calculation. This function can be activated by bit[10] in the SETUP_PROTOCOL register as well.

3.4.7. Slow Channel: Enhanced Serial Message

HAC 3930 supports a slow channel according to the enhanced serial message with 12-bit data and 8-bit message ID. It is also possible to deactivate the slow channel by changing bit[4] in the SETUP_PROTOCOL register.

3.4.8. Slow Channel: Serial Message Sequence

The device can transmit the serial message sequence shown in Table 3–13. The content/length of the serial message can be tailored by configuration bits in the SETUP_PROTOCOL register (see Section Table 3–4: on page 30). It is possible to activate up to five blocks. Block 1 will always be transmitted if the serial message channel is activated.

Table 3–13: Serial message sequence

Block	#	8-bit ID	Item	12-bit Data	Comment
1	1	0x01	Error Codes	(see Table 3–14 on page 39)	
	2	0x03	Sensor type		Bits 0...11 in CUSTOMER_ID0 register (12 bit) Examples: 0x050 = not specified position sensor 0x055 = position & secure channel 0x060 = angle sensor 0x064 = angle sensor + secure channel, etc.
	3	0x05	Manufacturer Code	0x007	TDK Manufacturer Code
	4	0x06	Protocol Revision	0x004	SAE J2716 rev. 4
	5	0x23	Temperature	1 to 4088 temperature data	Temperature information according SAE J2716
2	6	0x01	Error Codes	(see Table 3–14 on page 39)	
	7	0x29	TDK-Micronas SN	8-bit MSB MIC_ID1	Right aligned
	8	0x2A	TDK-Micronas SN	8-bit LSB MIC_ID1	Right aligned
	9	0x2B	TDK-Micronas SN	8-bit MSB MIC_ID2	Right aligned
	10	0x2C	TDK-Micronas SN	8-bit LSB MIC_ID2	Right aligned
3	11	0x01	Error Codes	(see Table 3–14 on page 39)	Customer configurable
	12	0x07	Fast CH1 - X1	Fast channel 1 characteristics	Bits 0...11 in CUSTOMER_ID1 register
	13	0x08	Fast CH1 - X2	Fast channel 2 characteristics	Bits 12...15 in CUSTOMER_ID1 register Bits 0...7 in CUSTOMER_ID2 register
	14	0x09	Fast CH1 - Y1	Fast channel 1 characteristics	Bits 8...15 in CUSTOMER_ID2 register Bits 0...3 in CUSTOMER_ID3 register
	15	0x0A	Fast CH1 - Y2	Fast channel 2 characteristics	Bits 4...15 in CUSTOMER_ID3 register
4	16	0x01	Error Codes	(see Table 3–14 on page 39)	
	17	0x90	OEM Code 1 ID	ASCII character OEM Codes	Bits 0...11 in CUSTOMER_ID4 register
	18	0x91	OEM Code 2 ID	ASCII character OEM Codes	Bits 12...15 in CUSTOMER_ID4 register Bits 0...7 in CUSTOMER_ID5 register
	19	0x92	OEM Code 3 ID	ASCII character OEM Codes	Bits 8...15 in CUSTOMER_ID5 register Bits 0...3 in CUSTOMER_ID6 register
	20	0x93	OEM Code 4 ID	ASCII character OEM Codes	Bits 4...15 in CUSTOMER_ID6 register
5	21	0x01	Error Codes	(see Table 3–14 on page 39)	
	22	0x94	OEM Code 5 ID	ASCII character OEM Codes	Bits 0...11 in CUSTOMER_ID7 register
	23	0x95	OEM Code 6 ID	ASCII character OEM Codes	Bits 12...15 in CUSTOMER_ID7 register Bits 0...7 in CUSTOMER_ID8 register
	24	0x96	OEM Code 7 ID	ASCII character OEM Codes	Bits 8...15 in CUSTOMER_ID8 register Bits 0...3 in CUSTOMER_ID9 register
	25	0x97	OEM Code 8 ID	ASCII character OEM Codes	Bits 4...15 in CUSTOMER_ID9 register

Alternatively, the Error Code can be transmitted as every second slow-channel message by setting bit[0] in the SETUP_PROTOCOL register (see Table 3–4 on page 30).

3.4.9. Slow Channel: Serial Message Error Codes

Diagnostic status codes are transmitted via the serial message. The 8-bit message ID for the diagnostic status code is 0x01. HAC 3930 features the error codes described in Table 3–14.

Table 3–14: Serial message error codes

Bit Position	Error Type	Fast Channel Error Code
0	Memory self-test error or checksum error	4090
1	ADC error or DSP self-test error	4090
2	Voltage regulator error	4090
3	ADC clipping	4091
4	Invalid temperature sensor values	4090
5	Signal path under/ overflow	CLAMP_LOW/CLAMP_HIGH
6	Overvoltage warning	4091
7	Undervoltage warning	4091
8	Reserved	N/A
9	Hall-plate error	4090
10	Magnet field out of range (MAG_HI, MAG_LOW) (only if sent_mag_loss bit in the SETUP_PROTOCOL register is set to 0)	4091
11	Always set to one	–

3.4.10. Start-Up Behavior

The device can either transmit zero messages until a valid information is available (SAEJ2716 conform) or alternatively frames with 4094. The start-up behavior is customer configurable by bit[9] in the SETUP_PROTOCOL register.

3.4.11. Message Time for SENT Frames in PPC Mode

The SENT frame repetition frequency (sent_fr in SETUP_OUTPUT[3:0] register) is defined by the position sampling frequency. The selectable SENT frame repetition frequency is limited by the configured tick time, the transmitted data value and the minimum and maximum pause-pulse duration.

The tick time is customer programmable and can be selected between 0.5 μ s and 12 μ s (Table 3–3 on page 28).

The pulse low time can be configured to 3, 5 and 6 ticks.

4. Functional Safety

4.1. Functional Safety Manual and Functional Safety Report

The Functional Safety Manual for HAC 3930 contains the necessary information to support customers to realize a safety compliant application by integrating HAC 3930, as an ASIL B ready component, in their system. The Functional Safety Manual will be provided upon request.

The Functional Safety Analysis Report describes the assumed Safety Goal, the corresponding Failure Modes as well as the Base Failure Rate for die and package according to IEC TR 62380. It can be provided based on a TDK-Micronas mission profile as well as customer mission profiles.

4.2. Integrated Diagnostic Mechanism

HAC 3930 performs self-tests during start-up and normal operation. These increase the robustness of the device functionality by either preventing the sensor to provide wrong output signals or by reporting the failure according SENT definition or diagnostic levels in case of PWM output. Further details about error reporting in case of SENT output see Section 3.4.9. on page 39.

For the PWM output signal the sensor is signaling error by providing a fixed duty-cycle. This duty-cycle can be defined by the registers PWM_STD_ERROR and MAG_LOSS_OUTPUT. Additionally it is possible to report under-/ and overvoltage events with a separate duty-cycle of 2%. The behavior is customer configurable. Further details can be found in Section 3.3.2. on page 16.

The result of the internal diagnostics is as well available via the DIAGNOSIS_X registers.

Table 4–1: DIAGNOSIS_0 register

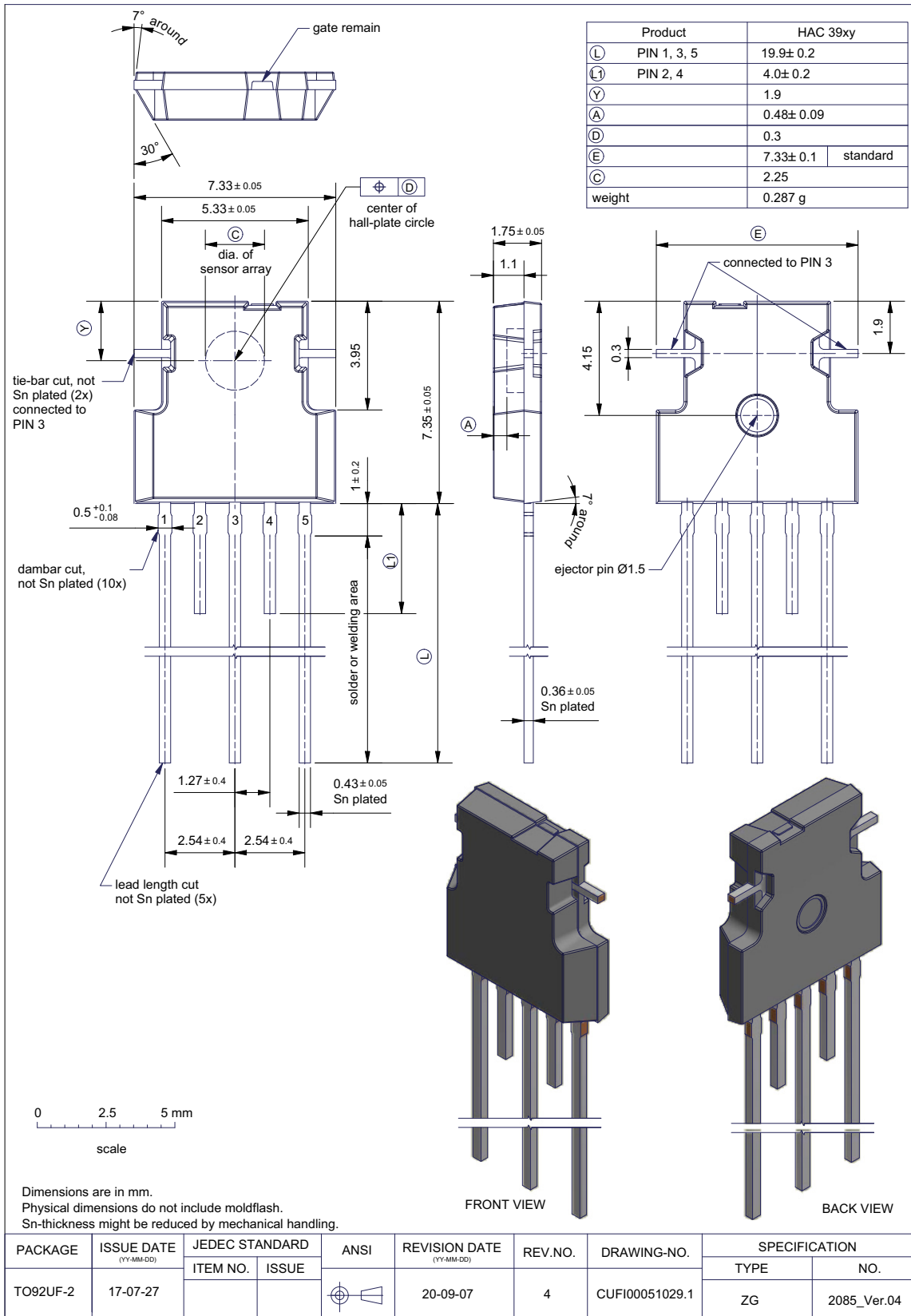
Bit no.	Description when bit is set to 1
15	DSP self-check routines (redundancy or plausibility checks)
14	DSP and μ C check of 16-bit checksum covering the EEPROM parameters
13	DSP checksum for ROM and RAM
12	Chip junction temperature out of range
11	Plausibility check of redundant temperature sensor
10	Hall-plate supply too high
9	Hardware overtemperature supervision: Junction temperature > 180°C
8	Reserved
7	At least one of A/D converters delivers a stuck signal for Channel 1, 2 or 3
6	Overflow or underflow of decimation filter
5	MAG_HIGH threshold has been exceeded
4	Magnetic field amplitude is below the MAG-LOW threshold
3	The result of the position calculation (high) is out of the expected (valid) range
2	The result of the position calculation (low) is out of the expected (valid) range
1	Hall-plate current out of range
0	Reserved

Table 4–2: DIAGNOSIS_1 register

Bit no.	Description when bit is set to 1
15	Reserved
14 & 12	General purpose ADC error
13	Reserved
11	Undervoltage Error. Supply voltage out of range
10	Overvoltage Error. Supply voltage out of range.
9	Internal analog voltage out of range
8	Internal digital voltage out of range
Note: Bits[7:0] can not be read via the programming interface as they are triggering immediately a reset of the devices.	
7	μ C self-test error
6	μ C ROM OP code error
5	μ C memory OP code error
4:2	Reserved
1	Error in analog part
0	Reserved

5. Specifications

5.1. Outline Dimensions



© Copyright 2017 TDK-Micronas GmbH, all rights reserved

Fig. 5-1:
TO92UF-2 Plastic Transistor Standard UF package, 3 leads, inline

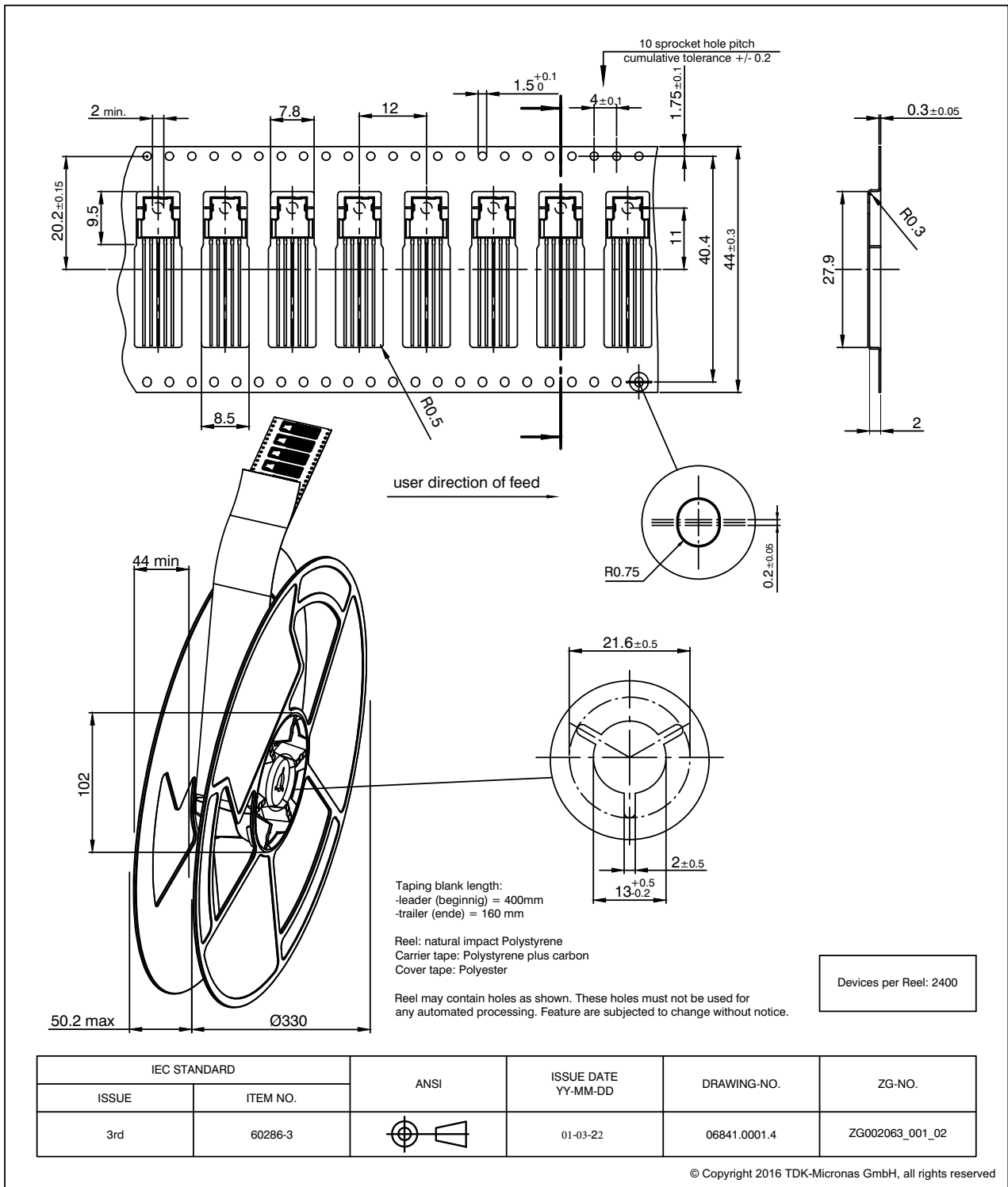


Fig. 5-2:
TO92UF: Tape and Reel Finishing

5.2. Soldering, Welding, Assembly

Information related to solderability, welding, assembly, and second-level packaging is included in the document “Guidelines for the Assembly of Micronas Packages”. It is available on the TDK-Micronas website (<https://www.micronas.tdk.com/en/service-center/downloads>) or on the service portal (<http://service.micronas.com>).

5.3. Storage and Shelf Life Package

Information related to storage conditions of TDK-Micronas sensors is included in the document “Guidelines for the Assembly of Micronas Packages”. It gives recommendations linked to moisture sensitivity level and long-term storage. It is available on the TDK-Micronas website (<https://www.micronas.tdk.com/en/service-center/downloads>) or on the service portal (<http://service.micronas.com>).

5.4. Size and Position of Sensitive Areas

Diameter of Hall-plate circle: $C = 2.25 \text{ mm}$

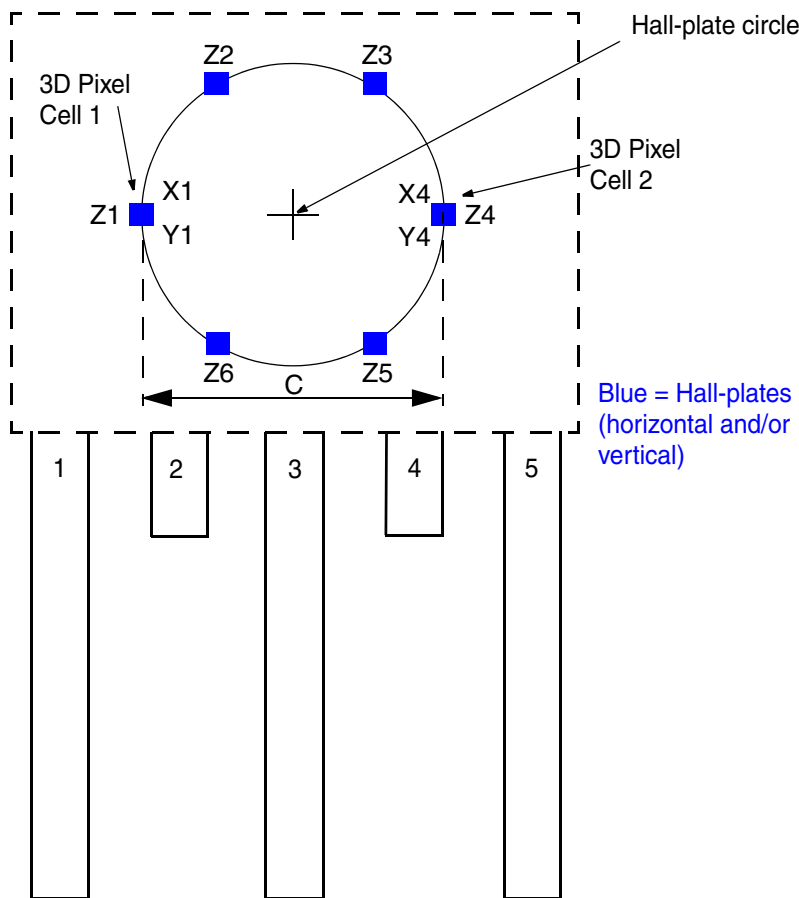


Fig. 5–3: Hall-plate configuration

5.5. Definition of Magnetic-Field Vectors

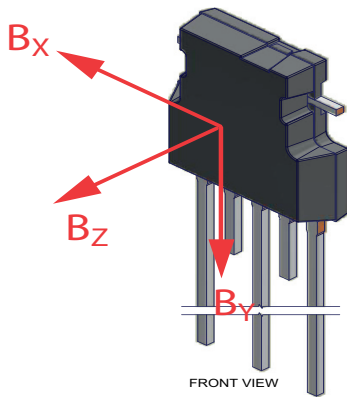


Fig. 5–4: Definition of magnetic-field vectors for HAC3930

5.6. Pin Connections and Short Description

Table 5–1: Pin connection TO92UF

Pin No.	Pin Name	Type	Short Description
1	VSUP	IN	Supply voltage
2	TEST1	IN	Test
3	GND	GND	Ground
4	TEST2	N/A	Test
5	OUT	I/O	PWM/SENT output and programming

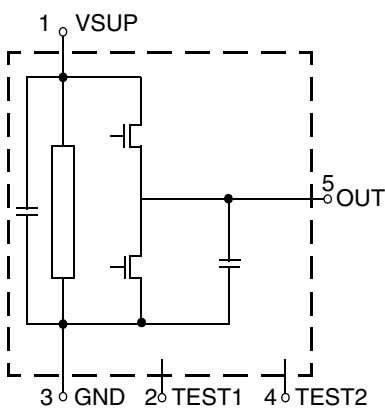


Fig. 5–5: Pin configuration for TO92UF package

Note Pins 3 must be connected to GND.

5.7. Absolute Maximum Ratings

Stresses beyond those listed in the “Absolute Maximum Ratings” may cause permanent damage to the device. This is a stress rating only. Functional operation of the device at these conditions is not implied. Exposure to absolute maximum rating conditions for extended periods will affect device reliability.

This device contains circuitry to protect the inputs and outputs against damage due to high static voltages or electric fields; however, it is advised that normal precautions must be taken to avoid application of any voltage higher than absolute maximum-rated voltages to this high-impedance circuit.

All voltages listed are referenced to ground (GND).

Symbol	Parameter	Pin Name	Min.	Max.	Unit	Condition
V _{SUP}	Supply Voltage	VSUP	-18	28 37	V V	t < 60s; T _J = 25°C
V _{OUT}	Output Voltage Output (PWM/SENT)	OUT	-2	28	V	t < 96h
V _{OUT} -V _{SUP}	Excess of Output Voltage over Supply Voltage	OUT	-	7	V	t < 96h V _{SUP} < 5.5V
I _{OUT}	Output Current Output	OUT	-125	125	mA	t < 96h; May occur at GND or V _{SUP}
B _{max}	Magnetic Field	-	-1	1	T	
T _A	Ambient Temperature	-	-40	160	°C	t < 96h ³⁾
T _J	Junction Temperature	-	-40	190	°C	t < 96h ¹⁾⁴⁾
T _{storage}	Transportation/Short Term Storage Temperature	-	-55	150	°C	Device only without packing material
V _{ESD}	ESD Protection	VSUP, GND	-8	8	kV	1)
		OUT	-4	4	kV	1)
		TESTx	-2	2	kV	1)
		VSUP, GND	-15	15	kV	2)
		OUT	-8	8	kV	2)

1) AEC-Q100-002 (100 pF and 1.5 kΩ)

2) Unpowered gun test (150 pF/330 Ω or 330 pF/2 kΩ) according to ISO 10605-2008

3) Consider current consumption, mounting condition (e.g. overmold, potting) and mounting situation for T_A and in relation to T_J

4) Please contact TDK-Micronas for other temperature requirements

No cumulative stress for all parameters.

5.8. Recommended Operating Conditions

Functional operation of the device beyond those indicated in the “Recommended Operating Conditions/Characteristics” is not implied and may result in unpredictable behavior, reduced reliability and lifetime of the device.

All voltages listed are referenced to ground (GND).

Symbol	Parameter	Pin Name	Min.	Typ.	Max.	Unit	Condition
V _{SUP}	Supply Voltage	VSUP	3.0	–	18	V	
V _{OUT}	Output Voltage (PWM/SENT)	OUT	–	–	5.5	V	Push-Pull configuration
			–	–	18	V	Open-Drain; V _{SUP} = 18 V
I _{OUT}	Output Current	OUT	–20	–	20	mA	
R _{LOUT}	Output Load (PWM/SENT)	OUT	1	–	–	kΩ	Pull-up or pull-down resistor Optional. Programming not possible with pull-down.
		OUT	10	–	55	kΩ	SENT output Pull-up or pull-down resistor Optional
N _{PRG}	Number of Memory Programming Cycles	–	–	–	100	cycles	0 °C < T _{amb} < 55 °C
B _{AMP}	Recommended Magnetic-Field Amplitude	–	±10	–	±130	mT	Max. value for setup 4b is ±65 mT
T _J	Junction Temperature ¹⁾		–40	–	170	°C	for 1000 h
T _A	Ambient Temperature ²⁾		–40	–	150	°C	for V _{SUP} ≤ 5.5 V ³⁾
¹⁾ Depends on the temperature profile of the application. Please contact TDK-Micronas for life time calculations. ²⁾ Consider current consumption, mounting condition (e.g. overmold, potting) and mounting situation for T _A and in relation to T _J ³⁾ Supply voltages above V _{SUP} = 5.5 V may limit the max. ambient temperature range due to increase self-heating of the device							

Note

It is possible to operate the sensor with magnetic fields down to ±5 mT. For magnetic fields below ±10 mT the sensor performance will be reduced.

5.9. Characteristics

at $T_A = -40\text{ °C}$ to 150 °C , $V_{SUP} = 3.0\text{ V}$ to 18.0 V , $GND = 0\text{ V}$, after programming and locking of the sensor, at Recommended Operation Conditions if not otherwise specified in the column “Test Conditions”.

Typical Characteristics for $T_A = 25\text{ °C}$ and $V_{SUP} = 5\text{ V}$.

Symbol	Parameter	Pin Name	Limit Values			Unit	Test Conditions
			Min.	Typ.	Max.		
I_{SUP}	Supply Current	VSUP	–	8	12	mA	1)
f_{osc}	Internal Oscillator Frequency		–	32	–	MHz	
f_{sample}	Sampling Frequency		–	1.953	–	kSps	1) Configurable
			–	3.906	–		
			–	7.812	–		
Power-On Behavior							
V_{POR}	Power_On Reset Voltage	VSUP	2.1	2.6	2.9	V	
$V_{PORHyst}$	Power_On Reset Voltage Hysteresis	VSUP	–	200	–	mV	
Overvoltage and Undervoltage Detection							
$S_{VSUP,UOV}$	Step Size of Under-/Overvoltage Supervision Threshold	VSUP	92	100	108	mV/LSB	1) Under-/Overvoltage threshold is customer configurable (see page 26).
$S_{VSUP,UOVhys}$	Under-/Overvoltage Detection Level Hysteresis	VSUP	–	1	–	LSB	1) 1 LSB typ. 100 mV
Output in Push-Pull Configuration with edge shaping							
V_{OL}	Output Low Voltage	OUT	–	6	8	%VSUP	$V_{SUP} = 5.5\text{ V}$, $R_L = \infty$
V_{OH}	Output High Voltage	OUT	91	94	–	%VSUP	$V_{SUP} = 5.5\text{ V}$, $R_L = \infty$
$V_{OH,Clamp}$	Output High Clamping Voltage	OUT	–	5.2	5.4	V	$V_{SUP} > 5.5\text{ V}$, $R_L = \infty$
$V_{OL,Clamp}$	Output Low Clamping Voltage	OUT	–	0.34	0.44	V	$V_{SUP} > 5.5\text{ V}$, $R_L = \infty$
R_{OUT}	Output Resistance	OUT	70	90	120	Ω	Max. 10 Ω series resistor allowed @ $V_{SUP} = 5\text{ V}$
I_{Leak}	Output Leakage Current	OUT	–25	–	25	μA	$V_{OUT1} < 5.5\text{ V}$
1) Characterized on small sample size, not tested							

Symbol	Parameter	Pin Name	Limit Values			Unit	Test Conditions
			Min.	Typ.	Max.		
t _{rise_sym}	Rise Time of Output symmetrical to Fall Time (recommended for PWM) ¹⁾²⁾	OUT	–	0.5	–	μs	sent_slew_rates bit = 1000
			–	0.7	–		sent_slew_rates bit = 1010
			–	1.3	–		sent_slew_rates bit = 1100
			–	2.6	–		sent_slew_rates bit = 1110
t _{rise_asym}	Rise Time of Output asymmetrical to Fall Time (recommended for SENT) ¹⁾²⁾	OUT	–	1.3	–	μs	sent_slew_rates bit = 1001
			–	2.6	–		sent_slew_rates bit = 1011
			–	5.2	–		sent_slew_rates bit = 1101
			–	10.4	–		sent_slew_rates bit = 1111
t _{fall}	Fall Time of Output ¹⁾²⁾	OUT	–	0.5	–	μs	sent_slew_rates bit = 100x
			–	0.7	–		sent_slew_rates bit = 101x
			–	1.3	–		sent_slew_rates bit = 110x
			–	2.6	–		sent_slew_rates bit = 111x
I _{Oshort_low}	Output Current for Short to GND	OUT	–65	–46	–	mA	V _{SUP} < 5.5 V
			–75	–64	–		V _{SUP} < 18 V
I _{Oshort_high}	Output Current for Short to VSUP	OUT	–	46	70	mA	V _{SUP} < 5.5 V
			–	64	110		V _{SUP} < 18 V
Output in Open-Drain Configuration							
R _{OUT}	Open-Drain Output Resistance	OUT	80	104	130	Ω	
V _{OL}	Output Low Voltage	OUT	0.6	0.8	1.3	V	I _{Load} = 10 mA
t _{fall}	Fall Time of Output	OUT	–	0.6	–	μs	¹⁾ from 3.8 V to 1.1 V
I _{Oshort_Low}	Output Current for Short to GND	OUT	–	46	70	mA	V _{SUP} < 5.5 V
			–	64	110		V _{SUP} < 18V
I _{Leak}	Output Leakage Current	OUT	–80	–	40	μA	V _{OUT} < 5.5 V
			–80	–	80		V _{OUT} < 18 V
¹⁾ Characterized on small sample size, not tested ²⁾ Measured from 1.1 V to/from 3.8 V							

Symbol	Parameter	Pin Name	Limit Values			Unit	Test Conditions
			Min.	Typ.	Max.		
SENT Output Mode							
t _{tick}	SENT Tick Time	OUT	0.48	0.50	0.52	μs	1)
			0.97	1.00	1.03	μs	
			1.45	1.50	1.55	μs	
			1.94	2.00	2.06	μs	
			2.42	2.50	2.58	μs	
			2.66	2.75	2.84	μs	
			2.91	3.00	3.09	μs	
			5.82	6.00	6.18	μs	
			11.64	12.00	12.36	μs	
For SENT with pause pulse (synchronous), 3 μs tick time, H.2 frame format, 2 kHz SENT repetition rate & for SENT with pause pulse (synchronous), 3 μs tick time, H.4 frame format, 2 kHz SENT repetition rate & for SENT without pause pulse (asynchronous), 3 μs tick time, H.2 format, 2 kHz SENT repetition rate							
t _{S_Init}	SENT Start-up Time	OUT	–	–	9.5	ms	1) Time until first SENT frame with init frame starts. Fig. 5–6 on page 52
t _{S_first_valid}	SENT Start-up Time till first valid Frame	OUT	–	–	10.0	ms	1) Time until first valid SENT frame starts. Fig. 5–6 on page 52
t _{latency}	SENT average Latency	OUT	–	0.75	–	ms	1) LP-Filter off
t _{wcresp}	SENT Step Response Time (worst case)	OUT	–	–	1	ms	1) see Fig. 5–7
N _{S_Init_Cycles}	Number of SENT Init Cycles	OUT	–	–	1	cycles	1)
PWM Output Mode							
f _{PWM}	PWM Output Frequency	OUT	100	–	106.2	Hz	1)
			125	–	132.5	Hz	
			150	–	159.3	Hz	
			200	–	212.4	Hz	
			250	–	265.5	Hz	
			500	–	530.9	Hz	
			550	–	584	Hz	
			800	–	849.5	Hz	
			1000	–	1061.9	Hz	
			1500	–	1592.8	Hz	
			2000	–	2123.7	Hz	
1) Characterized on small sample size, not tested							

Symbol	Parameter	Pin Name	Limit Values			Unit	Test Conditions
			Min.	Typ.	Max.		
t_{OSD}	Overall Signal Delay	OUT	–	–	367	μs	¹⁾ Overall signal delay between sensor front-end and output. Transmission time of selected PWM frequency to be added. See Fig. 5–7. fdecsel = 8 kSps LP-Filter = off
t_{P_Init}	PWM Start-up Time	OUT	–	–	9.5	ms	¹⁾ Initial start-up time until output is ready. 2 kHz PWM frequency. Fig. 5–6 on page 52
$t_{P_first_valid}$	PWM Start-up Time till first Edge	OUT	–	–	10	ms	¹⁾ Time until first valid rising/falling edge. 2 kHz PWM frequency. Fig. 5–6 on page 52
OUT_{Res}	Output Resolution	OUT	13	–	–	bit	¹⁾ PWM freq.=100...1500 Hz
			12	–	–		¹⁾ PWM freq. = 2 kHz
PMW_{DC}	PWM Duty-Cycle Range	OUT	1	–	99	%	¹⁾
PWM_{DCFM}	PWM Duty-Cycle in Failure Mode	OUT	According registers PWM_STD_ERROR & MAG_LOSS_OUTPUT				¹⁾ Customer configurable
PWM_{DCUV}	PWM Duty-Cycle in case of Undervoltage	OUT	–	2.0	–	%	¹⁾ Customer configurable. Alternatively same as PWM_{DCFM} .
PWM_{DCOV}	PWM Duty-Cycle in case of Overvoltage	OUT	–	2.0	–	%	(see Table 3–3 on page 28)
PWM_{DCMH}	PWM Duty-Cycle in case of Magnetic Field High Detection	OUT	–	98.0	–	%	¹⁾
J_{PWM}	RMS PWM Jitter	OUT	–	–	1	LSB_{13}	¹⁾
TO92UF Package							
R_{thja}	Thermal Resistance Junction to Air	–	–	–	181	K/W	³⁾ Determined with a 1S0Pboard
		–	–	–	122	K/W	³⁾ Determined with a 2S2P board
		–	–	–	85	K/W	⁴⁾ Without PCB
R_{thjc}	Thermal Resistance Junction to Case	–	–	–	30	K/W	³⁾ Determined with a 1S0P board
		–	–	–	29	K/W	³⁾ Determined with a 2S2P board
¹⁾ Characterized on small sample size, not tested ³⁾ Self-heating calculation see Section 6.1. on page 58 ⁴⁾ PCB-less assembly has been simulated based on an example package design. For information only.							

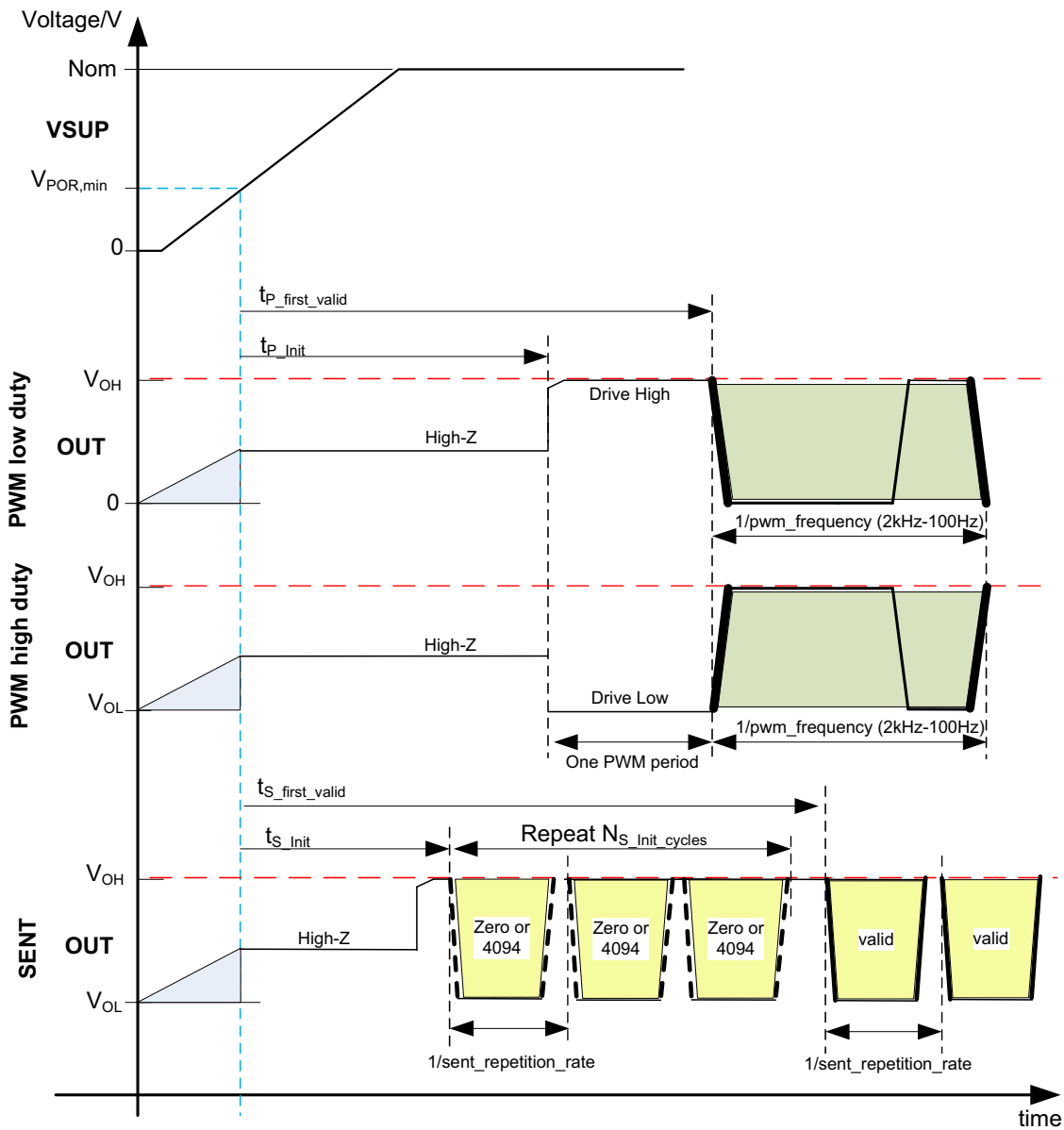


Fig. 5–6: Start-up behavior of HAC3930 for SENT and PWM output

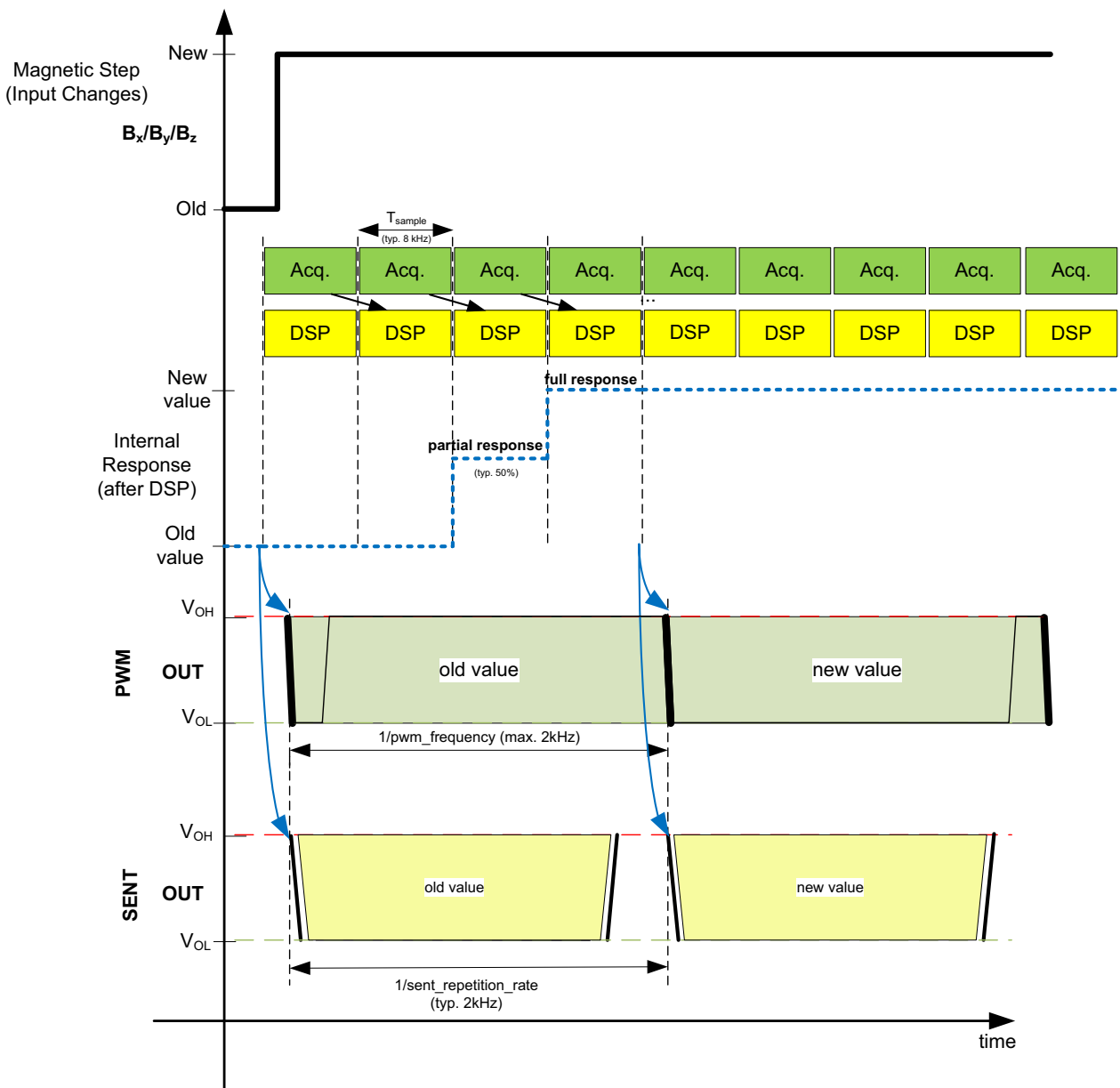


Fig. 5-7: Step response behavior of HAC3930

5.10. Magnetic Characteristics

at $T_A = -40\text{ °C}$ to 150 °C , $V_{SUP} = 3.0\text{ V}$ to 18.0 V , $GND = 0\text{ V}$, after programming and locking of the sensor, at Recommended Operation Conditions if not otherwise specified in the column "Test Conditions".

Typical Characteristics for $T_A = 25\text{ °C}$ and $V_{SUP} = 5.0\text{ V}$.

Symbol	Parameter	Pin Name	Min.	Typ.	Max.	Unit	Conditions
Rotary Setup with Stray-Field Compensation (Setup 1 & 2)							
ΔE_{tot}	Total Angular Error of Drifts	OUT	-0.85	-	0.85	°	1) $B_{AMP} = \pm 10\text{ mT}$ Setup 2 (3Z-Plates)
			-0.45	-	0.45	°	1) $B_{AMP} = \pm 10\text{ mT}$ Setup 1 (6Z-Plates)
ΔE_{temp}	Angular Error Drift over Temperature	OUT	-0.5	-	0.5	°	1) $B_{AMP} = \pm 10\text{ mT}$
ΔE_{olife}	Angular Error Drift over Lifetime	OUT	-0.45	-	0.45	°	1) $B_{AMP} = \pm 10\text{ mT}$ Setup 2 (3Z-Plates) After 1008 h HTOL
			-0.2	-	0.2	°	1) $B_{AMP} = \pm 10\text{ mT}$ Setup 1 (6Z-Plates) After 1008 h HTOL
E_{ohyst}	Angular Hysteresis Error	OUT	-	-	0.05	°	2)
E_{noise_1}	Angular Noise Setup 1	OUT	-	0.13	0.23	°	3) Setup 1 (6Z-Plates)
E_{noise_2}	Angular Noise Setup 2	OUT	-	0.19	0.33	°	3) Setup 2 (3Z-Plates)
E_{oSf_1}	Angular Error due to Stray-Field for Setup 1	OUT	-	-	0.1	°	1) 4) $B_{AMP} = \pm 10\text{ mT}$ wanted signal; Setup 1 (6Z-Plates)
E_{oSf_2}	Angular Error due to Stray-Field for Setup 2	OUT	-	-	0.12	°	1) 4) $B_{AMP} = \pm 10\text{ mT}$ wanted signal; Setup 2 (3Z-Plates)
Linear Movement Setup (ΔXZ) with Stray-Field Compensation (Setup 3b)							
$SM_{\Delta XZ41}$	Sensitivity Mismatch between ΔX_{41} and ΔZ_{41} Channel	OUT	-5	-	5	%	1) $T_A = 25\text{ °C}$
$\text{Sense}_{\Delta XZ41}$	Sensitivity of ΔX_{41} and ΔZ_{41} Channel	OUT	121	128	135	LSB ₁₅ /mT	1) $T_A = 25\text{ °C}$
$\Delta SM_{\Delta XZ41}$	Thermal Sensitivity Mismatch Drift between ΔX_{41} and ΔZ_{41} Channel	OUT	-3.0	-	3.0	%	1) Related to $T_A = 25\text{ °C}$
$\text{Offset}_{\Delta X41}$	Offset of ΔX_{41} Channel	OUT	-30	-	30	LSB ₁₅	$T_A = 25\text{ °C}$
$\text{Offset}_{\Delta Z41}$	Offset of ΔZ_{41} Channel	OUT	-15	-	15	LSB ₁₅	$T_A = 25\text{ °C}$
$\Delta \text{Offset}_{\Delta X41}$	Offset Drift of ΔX_{41} Channel	OUT	-50	-	50	LSB ₁₅	Related to $T_A = 25\text{ °C}$
All values are characterized on small sample size and 3-sigma values as long as not otherwise specified (not tested)							
1) Based on Simulation Model (not tested)							
2) Guaranteed by Design							
3) Characterized on small sample size, $B_{AMP} = \pm 10\text{ mT}$, fdecsel = 2 kHz, Low-pass filter: off, 3-sigma values (not tested)							
4) Characterized on small sample size according to ISO 11452-8:2015, at 25°C, with stray-field strength of 4 kA/m from X, Y and Z direction, 3-sigma values (not tested).							

Symbol	Parameter	Pin Name	Min.	Typ.	Max.	Unit	Conditions
$\Delta\text{Offset}_{\Delta Z_{41}}$	Offset Drift ΔZ_{41} Channel	OUT	-15	-	15	LSB ₁₅	Related to $T_A = 25^\circ\text{C}$
$\Delta\text{SM}_{\Delta X_{41}\text{life}}$	Relative Sensitivity Mismatch Drift between ΔX_{41} and ΔZ_{41} Channel over life time	OUT	-	1.0	-	%	¹⁾ After 1008 h HTOL
$\Delta\text{Offset}_{\Delta X_{41}\text{life}}$	Offset Drift of ΔX_{41} Channel over life time	OUT	-	30	-	LSB ₁₅	After 1008 h HTOL
$\Delta\text{Offset}_{\Delta Z_{41}\text{life}}$	Offset Drift of ΔZ_{41} Channel over life time	OUT	-	7	-	LSB ₁₅	After 1008 h HTOL
$\text{SF}_{R\Delta X_{41}}$	Stray-Field Rejection in ΔX_{41} Direction	OUT	99	-	-	%	⁴⁾ $T_A = 25^\circ\text{C}$
$\text{SF}_{R\Delta Z_{41}}$	Stray-Field Rejection in ΔZ_{41} Direction	OUT	97	-	-	%	⁴⁾ $T_A = 25^\circ\text{C}$
$E_{\text{phase}\Delta X_{41}}$	Phase Error between ΔX_{41} and ΔZ_{41} Channel	OUT	-	± 2.2	-	$^\circ$	between ΔX_{41} and ΔZ_{41} axis ¹⁾
$E_{\Delta X_{41},\text{noise}}$	Digital Noise of ΔX_{41} Hall-Plates Channel	OUT	-	2.4	-	LSB ₁₅	⁵⁾
$E_{\Delta Z_{41},\text{noise}}$	Digital Noise of ΔZ_{41} Hall-Plates Channel	OUT	-	2.6	-	LSB ₁₅	⁵⁾
Off-Axis Rotary Setup (ΔXY) with Stray-Field Compensation (Setup 3a)							
$\text{SM}_{\Delta XY_{41}}$	Sensitivity Mismatch between ΔX_{41} and ΔY_{41} Channel	OUT	-2	-	2	%	¹⁾ $T_A = 25^\circ\text{C}$
$\text{Sense}_{\Delta XY_{41}}$	Sensitivity of ΔX_{41} and ΔY_{41} Channel	OUT	121	128	135	LSB ₁₅ /mT	¹⁾ $T_A = 25^\circ\text{C}$
$\Delta\text{SM}_{\Delta XY_{41}}$	Thermal Sensitivity Mismatch Drift between ΔX_{41} and ΔY_{41} Channel	OUT	-3.0	-	3.0	%	¹⁾ Related to $T_A = 25^\circ\text{C}$
$\text{Offset}_{\Delta XY_{41}}$	Offset of ΔX_{41} and ΔY_{41} Channels	OUT	-30	-	30	LSB ₁₅	$T_A = 25^\circ\text{C}$
$\Delta\text{Offset}_{\Delta XY_{41}}$	Offset Drift of ΔX_{41} and ΔY_{41} Channels	OUT	-50	-	50	LSB ₁₅	Related to $T_A = 25^\circ\text{C}$
$\Delta\text{SM}_{\Delta XY_{41}\text{life}}$	Relative Sensitivity Mismatch Drift between ΔX_{41} and ΔY_{41} Channels over life time	OUT	-	1.0	-	%	¹⁾ After 1008 h HTOL
$\Delta\text{Offset}_{\Delta XY_{41}\text{life}}$	Offset Drift of ΔX_{41} and ΔY_{41} Channel over life time	OUT	-	30	-	LSB ₁₅	After 1008 h HTOL
$\text{SF}_{R\Delta XY_{41}}$	Stray-Field Rejection in ΔX_{41} and ΔY_{41} Direction	OUT	99	-	-	%	
$E_{\text{phase}\Delta XY_{41}}$	Phase Error between ΔX_{41} and ΔY_{41} Channel	OUT	-	± 2.2	-	$^\circ$	¹⁾ between ΔX_{41} and ΔY_{41} axis
$E_{\Delta XY_{41},\text{noise}}$	Digital Noise of ΔX_{41} and ΔY_{41} Hall-Plates Channel	OUT	-	2.4	-	LSB ₁₅	⁵⁾
<p>All values are characterized on small sample size and 3-sigma values as long as not otherwise specified (not tested)</p> <p>¹⁾ Based on Simulation Model (not tested)</p> <p>⁴⁾ Characterized on small sample size according to ISO 11452-8:2015, at 25°C, with stray-field strength of 4 kA/m from X, Y and Z direction, 3-sigma values (not tested).</p> <p>⁵⁾ Characterized on small sample size, 1-sigma values of COMP_CHx, fdecsel = 2 kHz, Low-pass filter: off (not tested)</p>							

Symbol	Parameter	Pin Name	Min.	Typ.	Max.	Unit	Conditions
3D Measurement Setup without Stray-Field Compensation (Setup 4a, 5 & 6)							
SM _{XYZ}	Sensitivity Mismatch between X or Y and Z Channel	OUT	-4	-	4	%	T _A = 25 °C
SM _{XY}	Sensitivity Mismatch between X and Y Channel	OUT	-2	-	2	%	T _A = 25 °C
Sense _{XYZ}	Sensitivity of X,Y and Z Hall Plate	OUT	123	128	133	LSB ₁₅ /mT	T _A = 25 °C
ΔSM _{XYZ}	Thermal Sensitivity Mismatch Drift between X or Y and Z Hall Plates	OUT	-2.5	-	2.5	%	Related to T _A = 25 °C
ΔSM _{XY}	Thermal Sensitivity Mismatch Drift between X and Y Hall Plates	OUT	-2	-	2	%	Related to T _A = 25 °C
Offset _{XY}	Offset of X and Y Hall Plates	OUT	-20	-	20	LSB ₁₅	T _A = 25 °C
Offset _Z	Offset of Z Hall Plate	OUT	-12	-	12	LSB ₁₅	T _A = 25 °C
ΔOffset _{XY}	Offset Drift of X and Y Hall Plates	OUT	-40	-	40	LSB ₁₅	Related to T _A = 25 °C
ΔOffset _Z	Offset Drift of Z Hall Plate	OUT	-15	-	15	LSB ₁₅	Related to T _A = 25 °C
ΔSM _{XYZlife}	Relative Sensitivity Mismatch Drift between X, Y and Z Hall Plates over life time	OUT	-	1.0	-	%	After 1008 h HTOL
ΔOffset _{XYlife}	Offset Drift of X and Y Hall Plates over life time	OUT	-	30	-	LSB ₁₅	After 1008 h HTOL
ΔOffset _{Zlife}	Offset Drift of Z Hall Plate over life time	OUT	-	5	-	LSB ₁₅	After 1008 h HTOL
E _{ophaseXYZ}	Phase Error between X, Y and Z Hall Plates	OUT	-	±1.6	-	°	XY axis
			-	±1.6	-	°	XZ axis
			-	±2.5	-	°	YZ axis
E _{XYZ,noise}	Digital Noise of X, Y or Z Hall Plates Channel	OUT	-	2.2	-	LSB ₁₅	5)
2D Measurement Setup (virtual centered Pixel XY) without Stray-Field Compensation (Setup 4b)							
SM _{ΣXY41}	Sensitivity Mismatch between ΣX ₄₁ and ΣY ₄₁ Channel	OUT	-3	-	3	%	T _A = 25 °C
Sense _{ΣXY41}	Sensitivity of ΣX ₄₁ and ΣY ₄₁ Channel	OUT	121	128	135	LSB/mT	T _A = 25 °C
ΔSM _{ΣXY41}	Thermal Sensitivity Mismatch Drift between ΣX ₄₁ and ΣY ₄₁ Channel	OUT	-2	-	2	%	Related to T _A = 25 °C
Offset _{ΣXY41}	Offset of ΣX ₄₁ and ΣY ₄₁ Channel	OUT	-25	-	25	LSB ₁₅	T _A = 25 °C
ΔOffset _{ΣXY41}	Offset Drift of ΣX ₄₁ and ΣY ₄₁ Channel	OUT	-40	-	40	LSB ₁₅	Related to T _A = 25 °C
ΔSM _{ΣXY41life}	Relative Sensitivity Mismatch Drift between ΣX ₄₁ and ΣY ₄₁ Channel over life time	OUT	-	1.0	-	%	After 1008 h HTOL
All values are characterized on small sample size and 3-sigma values as long as not otherwise specified (not tested)							
5) Characterized on small sample size, 1-sigma values of COMP_CHx, fdecsel = 2 kHz, Low-pass filter: off (not tested)							

Symbol	Parameter	Pin Name	Min.	Typ.	Max.	Unit	Conditions
$\Delta\text{Offset}_{\Sigma XY41\text{life}}$	Offset Drift of ΣX_{41} and ΣY_{41} Channel over Life Time	OUT	–	30	–	LSB ₁₅	After 1008 h HTOL
$E_{\text{phase}\Sigma XY41}$	Phase Error between ΣX_{41} and ΣY_{41}	OUT	–	± 2.2	–	°	1)
$E_{\Sigma XY41,\text{noise}}$	Digital Noise of ΣX_{41} and ΣY_{41} Hall-Plates Channel	OUT	–	1.9	–	LSB ₁₅	5)

All values are characterized on small sample size and 3-sigma values as long as not otherwise specified (not tested)

1) Based on Simulation Model (not tested)

5) Characterized on small sample size, 1-sigma values of COMP_CHx, fdecsel = 2 kHz, Low-pass filter: off (not tested)

5.11. Temperature Sensor

at $T_A = -40\text{ °C}$ to 150 °C , $V_{\text{SUP}} = 3.0\text{ V}$ to 18.0 V , $\text{GND} = 0\text{ V}$, after programming and locking of the sensor, at Recommended Operation Conditions if not otherwise specified in the column “Test Conditions”.

Typical Characteristics for $T_A = 25\text{ °C}$ and $V_{\text{SUP}} = 5.0\text{ V}$.

Symbol	Parameter	Pin No.	Min.	Typ.	Max.	Unit	Test Conditions
$\text{TADJ}_{\text{Gain}}$	Gain of Temperature Sensor	OUT	–	89.25	–	LSB ₁₅ / °C	1) for TADJ register
$\text{TADJ}_{\text{Offset}}$	Temperature Sensor Offset	OUT	–	3720	–	LSB ₁₅	1) for TADJ register
$\text{TSENT}_{\text{Gain}}$	Gain of Temperature Sensor for SENT Output	OUT	–	8.1	–	LSB ₁₂ / °C	1) SENT Slow Channel
$\text{TSENT}_{\text{Offset}}$	Temperature Sensor Offset for SENT Output	OUT	–	565.3	–	LSB ₁₂	1) SENT Slow Channel
ΔT_{Lin}	Temperature Sensor Differential Accuracy (Linearity Error)	OUT	–2	–	2	°C	2)
ΔT_{Offset}	Temperature Sensor Offset Error	OUT	–5	–	5	°C	2)

1) Not tested

2) Characterized on small sample size, 3-sigma values, not tested for each device

6. Application Notes

6.1. Ambient Temperature

Due to the internal power dissipation, the temperature on the silicon chip (junction temperature T_J) is higher than the temperature outside the package (ambient temperature T_A).

$$T_J = T_A + \Delta T$$

The maximum ambient temperature is a function of power dissipation, maximum allowable die temperature and junction to ambient thermal resistance (R_{thja}). With a typical supply voltage of 5.0 V the power dissipation P is 0.06 W. The junction to ambient thermal resistance R_{thja} is specified in Section 5.9. on page 48.

The difference between junction and ambient air temperature is expressed by the following equation (at static conditions and continuous operation):

$$\Delta T = P * R_{thjX}$$

The X represents junction to air, case or solder point.

For worst-case calculation, use the max. parameters for I_{SUP} and R_{thjX} , and the max. value for V_{SUP} from the application.

Note The calculated self-heating of the device is only valid for the R_{th} test boards. Depending on the application setup the final results in an application environment might deviate from these values.

6.2. EMC and ESD

Please contact TDK-Micronas for detailed information on EMC and ESD performance.

6.3. Application Circuit for HAC 3930

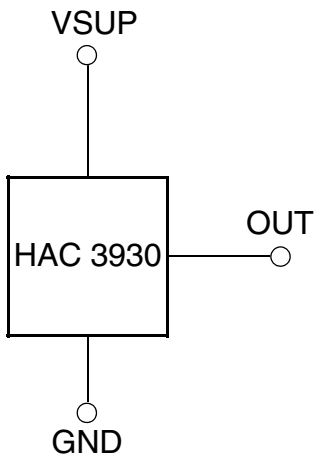


Fig. 6–1: Recommended application circuit for HAC 3930

Note Test pins can stay floating.

7. Programming of the Sensor

HAC 3930 features two different customer modes. In **Application Mode** the sensor provides an digital output signal according SENT standard or by transmission of PWM signals. In **Programming Mode (Listen Mode)** it is possible to change the register settings of the sensor.

After power-up the sensor is always operating in the **Application Mode**. It is switched to the **Programming Mode** by a BiPhase-M protocol via output voltage modulation. Therefore the programming device needs to provide a long sync pulse at the output pin.

7.1. Programming Interface

In Programming Mode HAC 3930 is addressed by modulating a serial telegram on the sensor's output pin. The sensor answers with a modulation of the output voltage.

A logical "0" is coded as no level change within the bit time. A logical "1" is coded as a level change of typically 50 % of the bit time. After each bit, a level change occurs (see Fig. 7–1).

The serial telegram is used to transmit the memory content, error codes and digital values of the angle information from and to the sensor.

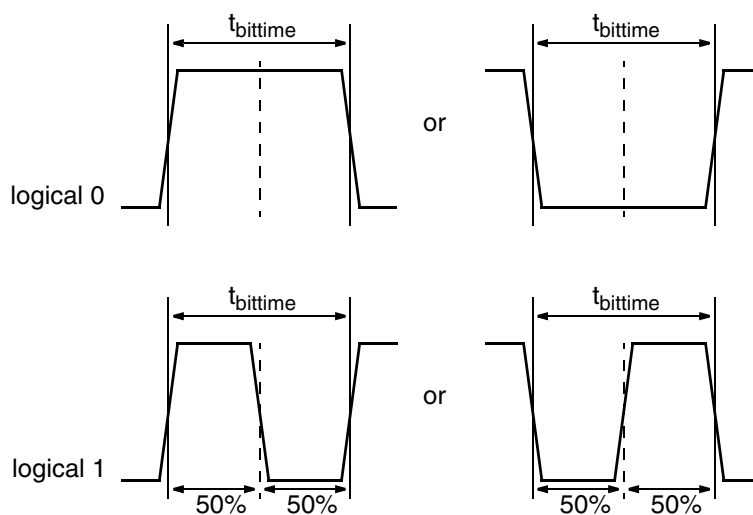


Fig. 7–1: Definition of logical 0 and 1 bit

Table 7–1: Telegram parameters for the Host (All voltages are referenced to GND.)

Symbol	Parameter	Pin No.	Limit Values			Unit	Test Conditions
			Min.	Typ.	Max.		
t_{h_bbit}	Host Biphase bit time	OUT1	0.01	–	1.1	ms	
SR	Host slew rate Biphase protocol	OUT1	10	–	–	V/ μ s	¹⁾ For recommended application circuit
V_{H_OUTL}	Host OUT pin voltage for low level during programming	OUT1	–	–	0.8	V	
V_{H_OUTH}	Host OUT pin voltage for high level during programming	OUT1	2.4	–	–	V	
$V_{SUPProgr}$	V_{SUP} Voltage for memory programming	VSUP	$V_{SUP,min.}$	–	$V_{SUP,max.}$	V	
¹⁾ Not tested							

7.2. Programming Environment and Tools

For the programming of HAC 3930 during product development, a programming tool including hardware and software is available on request. It is recommended to use the TDK-Micronas tool kit (TDK MSP V1.x and LabView Programming Environment) in order to facilitate the product development. The details of programming sequences are content of the HAL/HAR/HAC 393x Programming Guide.

7.3. Programming Information

For production and qualification tests, it is mandatory to set the LOCK bit to one after final adjustment and programming of HAC 3930.

Before locking the device, it is recommended to read back all register values to ensure that the intended data is correctly stored in the sensor's memory. Alternatively, it is also possible to cross-check the sensor output signal with the intended output behavior.

The success of the LOCK process shall be checked by reading the status of the LOCK bit after locking.

Even after locking the device it is still possible to read the memory content.

It is also mandatory to check the acknowledge of the sensor after each write and store sequence to verify if the programming of the sensor was successful.

ElectroStatic Discharges (ESD) may disturb the programming pulses. Please take precautions against ESD.

Note A description of the communication protocol and the programming of the sensor is available in a separate document HAL/HAR/HAC 393x Programming Guide.

8. Document History

1. Data Sheet: "HAC 3930 Stray-Field Robust 3D Position Sensor with Digital Output Interfaces and Integrated Capacitors", June 30, 2022, DSH000222_001EN. First release of the data sheet
Describes ROM-ID release: 2300

X-ON Electronics

Largest Supplier of Electrical and Electronic Components

Click to view similar products for [Board Mount Motion & Position Sensors](#) category:

Click to view products by [TDK](#) manufacturer:

Other Similar products are found below :

[6SS4](#) [F02008062](#) [9970-090-9J-SA](#) [MB060-N-221-A02](#) [MB090-N-221-A02](#) [RD602B014B](#) [RD602B016A](#) [S18-L262B-2](#) [MLX90340LDC-AAA-000-RE](#) [RDC1032A0F](#) [KTH5763AQ3DNE](#) [XYC-PIR203B-S0](#) [XYC-PIR224D-S0](#) [GH1496BUA](#) [GH1187](#) [MLX90316KDC-BCG-200-TU](#) [MLX90316KDC-BDG-100-RE](#) [ZSBG446671](#) [MTS-360-1A-C0000-ERA360-05E](#) [MLX90316KDC-BCG-000-RE](#) [AMN11111](#) [AMN24112](#) [AMN31111](#) [AMN31112](#) [AMN34112](#) [AMN34111](#) [AMN23111](#) [EKMB1303111K](#) [EKMB1293112](#) [RBS130100](#) [RBS130200](#) [EKMC1605111](#) [3382H-1-104](#) [EKMB1305111K](#) [EKMC1604112](#) [EKMB1305112K](#) [3382H-1-503](#) [EKMB1304113K](#) [EKMC1604111](#) [EKMC1693112](#) [EKMC1605112](#) [EKMB1305113K](#) [EKMC1606111](#) [G-MRCO-052](#) [OKY3062-4](#) [OKY3062-5](#) [OKY3226](#) [OKY3227](#) [OKY3231](#) [OKY3231-8](#)