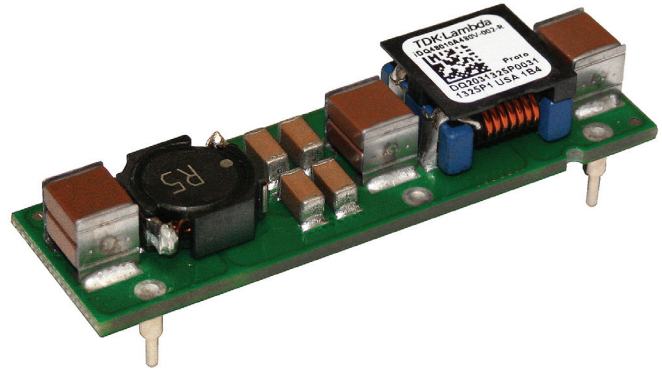


10A, 75VDC EMI Filters

Features

- ◆ Exceptional Differential Mode Performance
- ◆ Very Compact Size
- ◆ Minimal External Components Required*



Key Market Segments & Applications



Specifications

Model		iDQ48010A480V
Rated Voltage	VDC	75VDC (100VDC for 100ms)
Rated Current	A	10A
Withstand Voltage	VDC	Terminals to Ground: 1500VDC
Leakage Current	mA	Not Applicable
DC Resistance	mΩ	Positive leg: 11.5, Negative leg: 6.5
Operating Temperature (1)	°C	-40 to +120 (see derating curve and measurement point)
Storage Temperature	°C	-55 to +125
Safety Agency Certification	-	CE Mark
Size (LxWxH)	mm	50 x 15 x 10.8mm
Weight (Typ)	g	11.3
Warranty	yrs	3

Notes:

- 1) See full specification on website

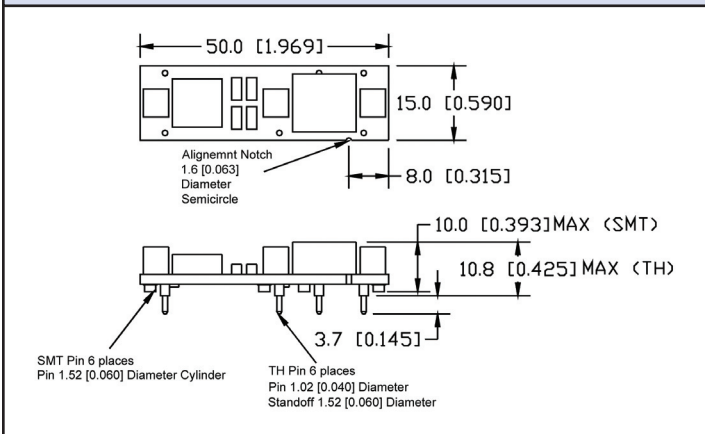
Model Selector

Model	Surface Mount	Through Hole Mount Pins	Pin 6 Populated*
iDQ48010A480V-001-R (2)	X		X
iDQ48010A480V-002-R		0.145"	
iDQ48010A480V-003-R (2)		0.145"	X

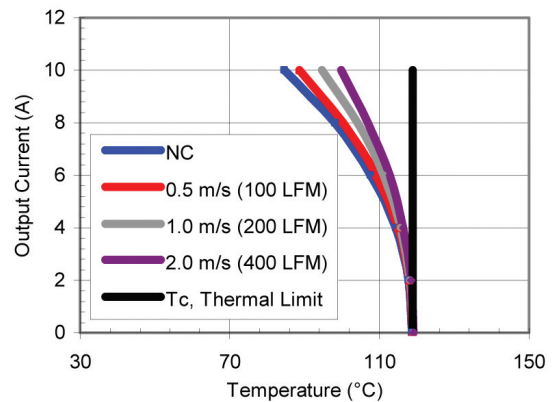
2) Contact factory for status

* Additional capacitance can be placed between pin 3 and pin 6, and also between pin 4 and pin 3 to increase the common mode noise attenuation.

Outline Drawing

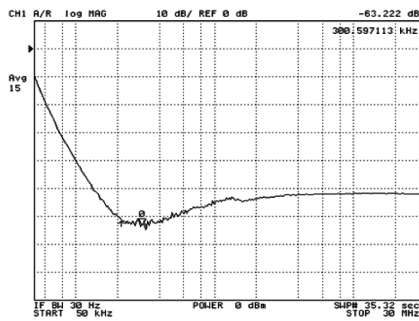


Derating

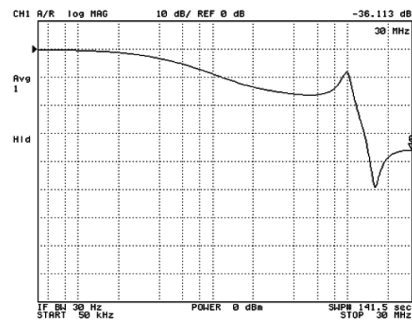


Attenuation Characteristics

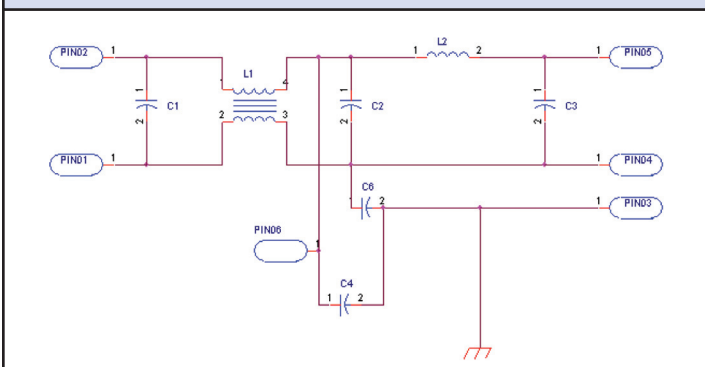
Typical Differential Mode Attenuation



Typical Common Mode Attenuation



Circuit



For Additional Information, please visit <https://product.tdk.com/en/power/>



X-ON Electronics

Largest Supplier of Electrical and Electronic Components

Click to view similar products for [Common Mode Chokes / Filters](#) category:

Click to view products by [TDK](#) manufacturer:

Other Similar products are found below :

[74279408](#) [PE-62911NL](#) [PE-64683](#) [ST6118T-R](#) [T8114NLT](#) [RD5122-10-6M0](#) [TCM0806G-350-2P-T](#) [TCM0806G-650-2P-T](#) [IND-0110](#)
[UAL21VR0802000](#) [UAL24VR06500CH](#) [UALSC023000000](#) [UALSC1020JH000](#) [UALSC1520JH000](#) [UALSU16VD30030](#)
[UALSU16VD40010](#) [UALSU9H0305000](#) [UALSU9HF060300](#) [UALSU9VD070100](#) [36-00037](#) [5701610000](#) [UALW21HS072450](#)
[UALSU9VD070400](#) [UALSU9HF050500](#) [UALSU9H0208000](#) [UALSCF25081300](#) [UAL24VK06450CH](#) [PLT10HH501100PNB](#)
[PLT10HH401100PNB](#) [PLT10HH1026R0PNB](#) [PE-67531](#) [EXC-X4CH120X](#) [TLH10UB 113 0R5](#) [2752041447](#) [2752045447](#) [CMS3-11-R](#)
[7351V](#) [CMF16-153131](#) [744252510](#) [T8116NLT](#) [FE2X10-4-2NL](#) [744253200](#) [744253101](#) [744252220](#) [TX8111NLT](#) [UAL30VR3500470](#)
[CTX01-19077-R](#) [T8003NLT](#) [CTX01-13663](#) [CTX66-19521-R](#)