

3-terminal Filters(SMD) For Signal Line

Conformity to RoHS Directive

MEM Series MEM2012T Type

FEATURES

- Multilayer chip EMC filter utilizing a T-type circuit.
- Entirely monolithic structure results in high reliability.
- Due to closed magnetic circuit architecture, high-density installation becomes possible, and crosstalk generation is prevented.
- Steep attenuation characteristic plot. Highly effective noise suppression.
- Covers a wide range of frequencies.
- MEM2012T is a coil type EMC filter.

APPLICATIONS

Computer and computer peripherals, VCRs, TVs, car audio equipment, printers, game machines, etc.

TEMPERATURE RANGES

| | |
|-------------------|--------------|
| Operating/Storage | -40 to +85°C |
|-------------------|--------------|

PRODUCT IDENTIFICATION

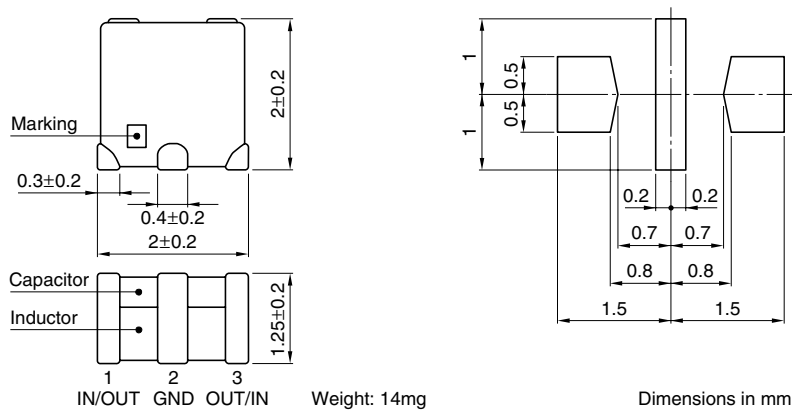
| | | | | |
|-----|------|-----|------|-----|
| MEM | 2012 | T | 10R0 | T |
| (1) | (2) | (3) | (4) | (5) |

- (1)Series name
 (2)Dimensions L×W
 (3)T-type circuit
 (4)Cutoff frequency 10R0:10MHz
 (5)Packaging style T:Taping

PACKAGING STYLE AND QUANTITIES

| Packaging style | Quantity |
|-----------------|------------------|
| Taping | 1000 pieces/reel |

SHAPES AND DIMENSIONS/RECOMMENDED PC BOARD PATTERN



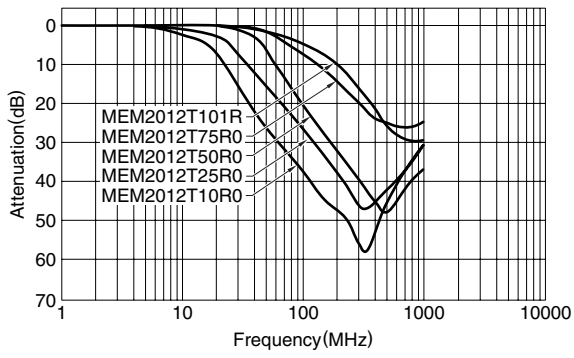
ELECTRICAL CHARACTERISTICS

| Part No. | Cutoff frequency (MHz) | Insertion loss (dB)min. | Rated voltage Edc(V)max. | Rated current (mA)max. |
|--------------|------------------------|-------------------------|--------------------------|------------------------|
| MEM2012T10R0 | 10 | 20[40 to 900MHz] | 10 | 100 |
| MEM2012T25R0 | 25 | 20[80MHz to 1GHz] | 10 | 150 |
| MEM2012T50R0 | 50 | 20[150MHz to 1.2GHz] | 10 | 150 |
| MEM2012T75R0 | 75 | 20[300MHz to 1.7GHz] | 10 | 250 |
| MEM2012T101R | 100 | 20[400MHz to 1.7GHz] | 10 | 250 |

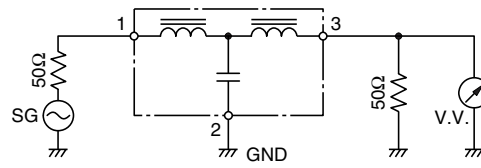
- Conformity to RoHS Directive: This means that, in conformity with EU Directive 2002/95/EC, lead, cadmium, mercury, hexavalent chromium, and specific bromine-based flame retardants, PBB and PBDE, have not been used, except for exempted applications.
- Please contact our Sales office when your application are considered the following:
The device's failure or malfunction may directly endanger human life (e.g. application for automobile/aircraft/medical/nuclear power devices, etc.)

• All specifications are subject to change without notice.

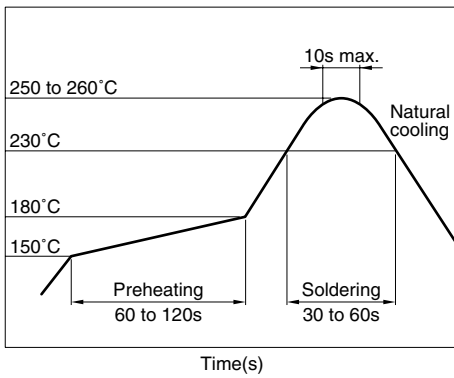
TYPICAL ELECTRICAL CHARACTERISTICS ATTENUATION vs. FREQUENCY CHARACTERISTICS



MEASURING CIRCUIT



RECOMMENDED SOLDERING CONDITION REFLOW SOLDERING



X-ON Electronics

Largest Supplier of Electrical and Electronic Components

Click to view similar products for [TDK manufacturer:](#)

Other Similar products are found below :

[C3225X5R0J686M200AC](#) [VLF5014AT-150MR76](#) [VLF5014AT-6R8MR99](#) [VLF3010AT-2R2M1R0](#) [CXA-2115](#) [MCZ1210AH301L2T](#)
[78P7200-IH/F](#) [MLP2012S1R5TT](#) [ACH3218-682-TD01](#) [ACT45B-KIT](#) [NL565050T-822J-PF](#) [C1005JB1H471K050BA](#)
[C1608CH1H151J080AA](#) [C2012JB1H105K125AB](#) [C4532NP01H154J250KA](#) [KMS1524](#) [CD75-B2GA331KYGKA](#) [CLF10040T-221M](#)
[CLF12555T-220M](#) [R22095*REPAIRED](#) [B82789C104N2](#) [MLF1005LR12K](#) [MLG1608SR27J](#) [MLP2520S1R0ST](#) [MLP2520S1R5MT](#)
[VLS252015T-3R3M1R0](#) [VLS4012T-150MR65](#) [ZCAT-KIT](#) [MPZ2012-KIT](#) [NLV32T-R27J-EFD](#) [CKCM25C0G2A101K060AK](#) [CLF10040T-](#)
[4R7N](#) [WTM505090-10K2-5V-G1](#) [CGJ2B2X7R1C222K](#) [CGA-ML01-E3-KIT](#) [CGA8M3X7R1H475K](#) [CGA9M1X7T2J334K](#)
[CGA8P3X7T2E105M/SOFT](#) [CGA6J4C0G2J392J](#) [CGA6M3X7R2E154K](#) [CGA3E3C0G2E181J](#) [CGA2B2C0G1H331J](#) [CEU-AC01-E6-KIT](#)
[CERB3UX5R0G105M](#) [RLF12545T-100M5R1-PF](#) [PFC3819QM-181K09B-00](#) [VLF3010AT-100MR49](#) [MMZ0603D330C](#)
[MPZ2012S102ATD25](#) [MLF2012E100K](#)