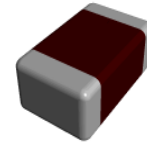


For High frequency
MLH2012
Multilayer Power Inductor

K tolerance

Features

Multilayer power inductor for High frequency.
Inductance is 22nH.
Completely lead-free product and support lead-free solder.



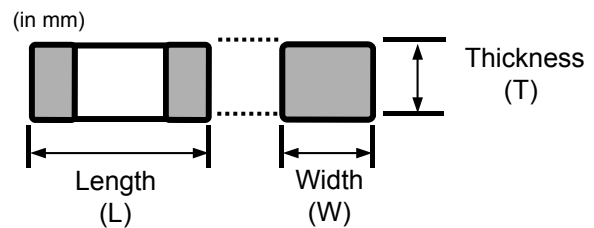
MLH series

Application

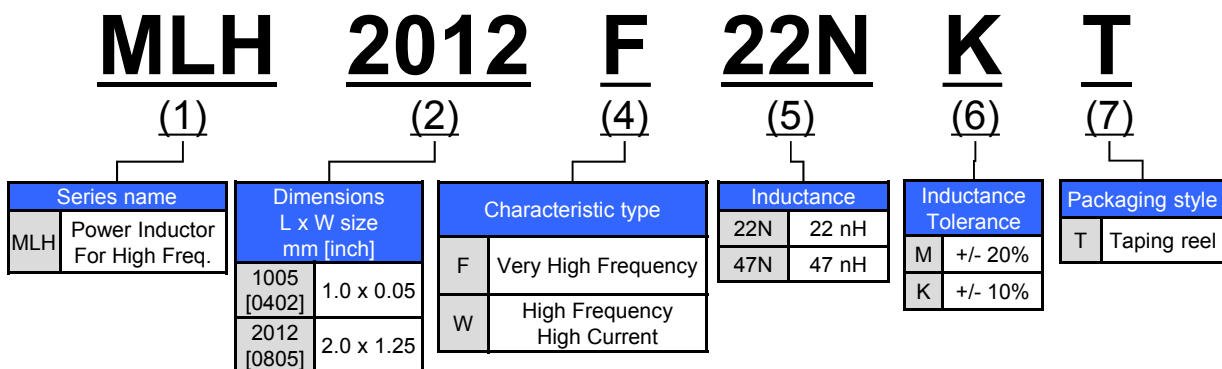
The choke coil of power circuit usage.
Especially, PA, mobile phone .

Dimensions

Series	L (mm)	W (mm)	T (mm)
MLH1005	1.0 +/-0.05	0.50 +/- 0.05	0.55 Max
MLH2012	2.0 +/- 0.20	1.25 +/- 0.20	0.95 Max



Product Identification

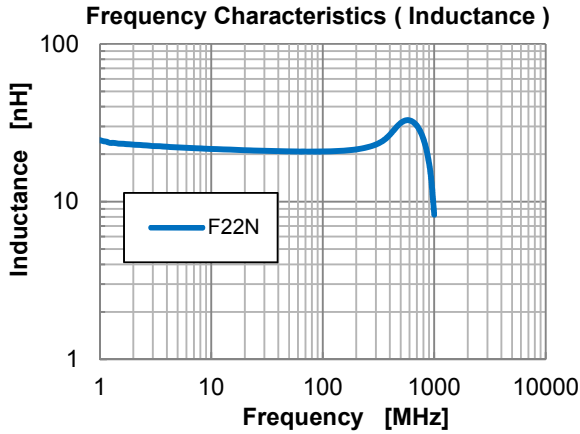


Electrical Characteristics

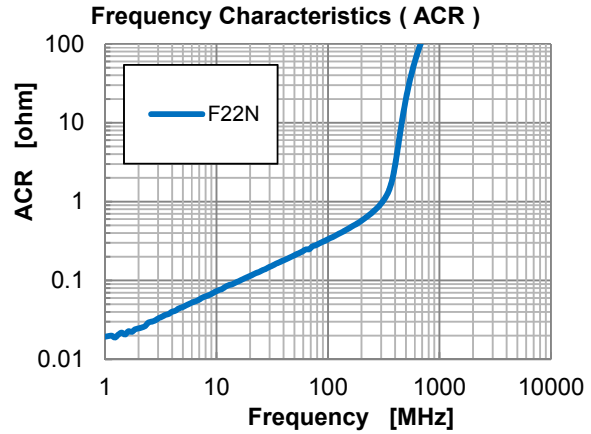
Case Size [mm]		type	Item	L [nH] +/- 10%	SRF [MHz] typ.	DCR [mOhm] +/-30%	Isat	Itemp
L x W	T						Typ.	Rated Current
2012	0.95 Max	Very High Frequency	MLH2012F22NK	22	1000	44	3.0	1.85

Isat : Depend on the Inductance Saturation. (-30% Reduction from Nominal value).
Itemp : Depend on the self temperature rise. (40deg.C Max.)

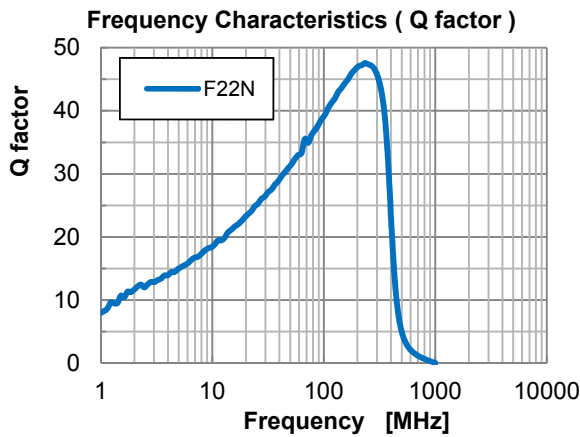
Frequency Characteristics
(Inductance)



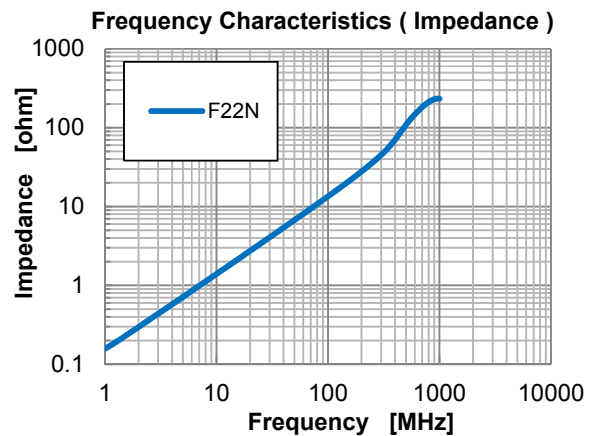
Frequency Characteristics
(AC Resistance)



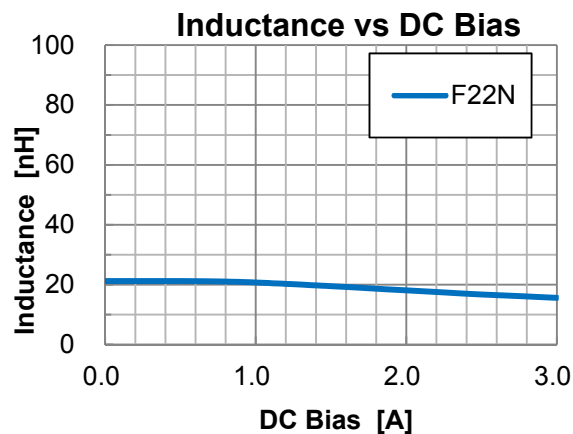
Frequency Characteristics
(Q factor)



Frequency Characteristics
(Impedance)

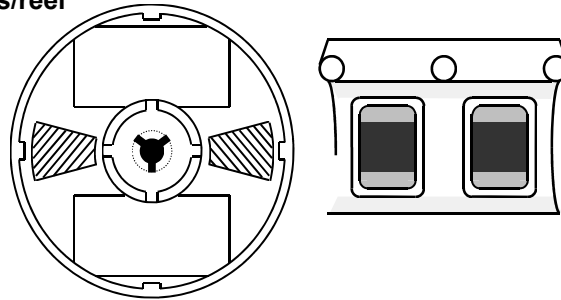


Inductance vs. DC Bias

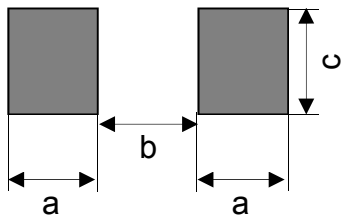


PACKAGING

- MLH1005 t=0.55 mm Max : 10,000 pcs/reel
- MLH1608 t=0.95 mm Max : 4,000 pcs/reel
- MLH2012 t=0.95 mm Max : 4,000 pcs/reel



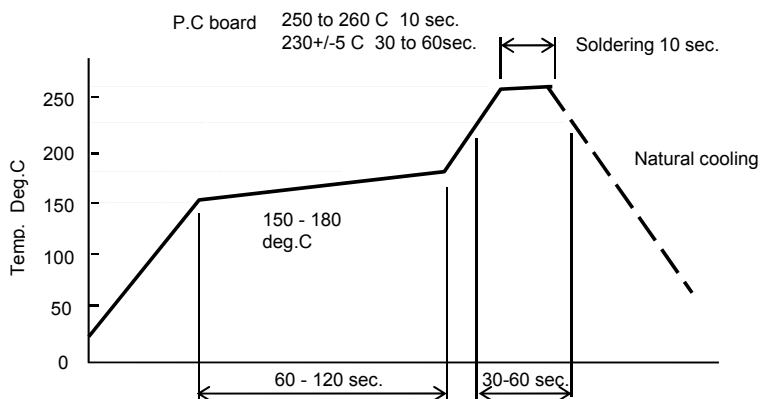
Recommended Land Pattern



(in mm)

Type	a	b	c
1005	0.5	0.4	0.5
1608	0.6	0.8	0.8
2012	0.8	1.0	1.2

RECOMMENDED SOLDERING CONDITION



X-ON Electronics

Largest Supplier of Electrical and Electronic Components

Click to view similar products for [Fixed Inductors](#) category:

Click to view products by [TDK](#) manufacturer:

Other Similar products are found below :

[CR32NP-100KC](#) [CR43NP-680KC](#) [CR54NP-820KC](#) [CR54NP-8R5MC](#) [CTX32CT-100](#) [70F224AI](#) [MGDQ4-00004-P](#) [MHL1ECTTP18NJ](#)
[MHL1JCTTD12NJ](#) [PE-51506NL](#) [PE-53601NL](#) [PE-53602NL](#) [PE-53630NL](#) [PE-53824SNLT](#) [PE-62892NL](#) [PE-92100NL](#) [PG0434.801NLT](#)
[PG0936.113NLT](#) [9310-16](#) [PM06-2N7](#) [PM06-39NJ](#) [A01TK](#) [1206CS-471XJ](#) [HC2-2R2TR](#) [HC2LP-R47-R](#) [HC3-2R2-R](#) [1206CS-151XG](#)
[RCH664NP-140L](#) [RCH664NP-4R7M](#) [RCH8011NP-221L](#) [RCP1317NP-332L](#) [RCP1317NP-391L](#) [RCR1010NP-470M](#) [RCR110DNP-331L](#)
[DH2280-4R7M](#) [DS1608C-106](#) [ASPI-4020HI-R10M-T](#) [B10TJ](#) [B82477P4333M](#) [B82498B3101J000](#) [B82498B3680J000](#) [ELJ-RE27NJF2](#)
[1812CS-153XJ](#) [1812CS-183XJ](#) [1812CS-223XJ](#) [1812LS-104XJ](#) [1812LS-105XJ](#) [1812LS-124XJ](#) [1812LS-154XJ](#) [1812LS-223XJ](#)