



Sep. 2020 Ver.1.1N
TDK Corporation

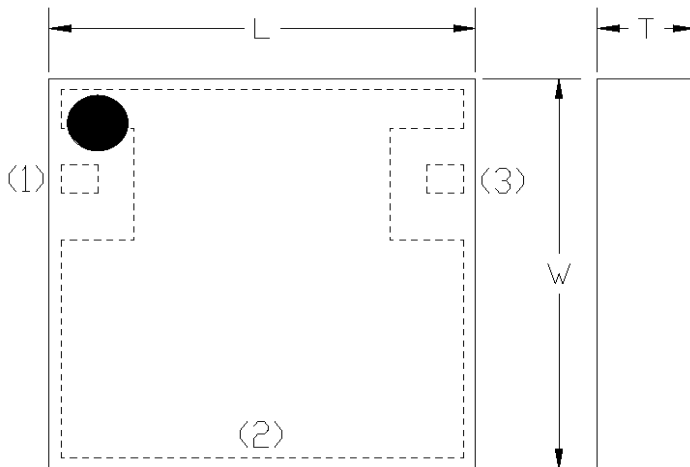
Multilayer Band Pass Filter

MMC Series 3.5 × 3.5 mm TYPE

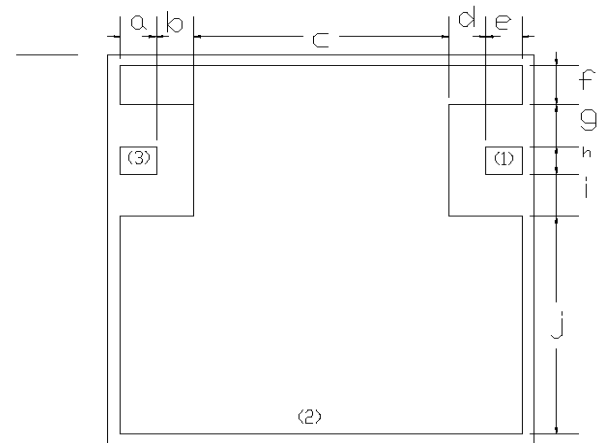
P/N: **MMCB3525G8T-0044A1**

PRELIMINARYSep. 2020 Ver.1.1N
TDK Corporation**MMCB3525G8T-0044A1****■ SHAPES AND DIMENSIONS**

[Top View]



[Bottom View]



Dimensions (mm)

L	W	T	a	b	c	d	e	f	g	h	i	j
3.50	3.50	0.80	0.30	0.30	2.10	0.30	0.30	0.35	0.375	0.25	0.375	1.95
+/-0.15	+/-0.15	+/-0.10	+0.1/-0.05	+0.1/-0.05	+/-0.15	+0.1/-0.05	+0.1/-0.05	+0.1/-0.05	+0.1/-0.05	+0.1/-0.05	+0.1/-0.05	+/-0.15

Terminal functions

(1)	Input / Output Port
(2)	GND
(3)	Output / Input Port

PRELIMINARYSep. 2020 Ver.1.1N
TDK Corporation**MMCB3525G8T-0044A1**

■ ELECTRICAL CHARACTERISTICS

(Measurement)

Parameter	Frequency (GHz)	TDK Spec		
		Min.	Typ.	Max.
Insertion Loss (dB)	24.25 to 27.5	-	1.51	2.50
Insertion Loss (dB) (-40 to +105 °C)	24.25 to 27.5	-		3.00
VSWR	24.25 to 27.5	-	1.66	1.92
VSWR (-40 to +105 °C)	24.25 to 27.5	-		2.00
Attenuation (dB) (-40 to +105 °C)	0.1 to 6	35	71.2	-
	6 to 20	35	63.1	
	30 to 31	30	58.1	
	31 to 37	35	45.0	-
	37 to 41	30	36.2	-
Characteristic Impedance (ohm)		50 (Nominal)		

Ta = +25+/-5°C

■ MAXIMUM RATINGS

Parameter	TDK Spec	
	Min.	Max.
Operating temperature (°C)	-40 to +105 °C	
Storage temperature (°C)	-40 to +105 °C	
Power Handling (W)	-	1

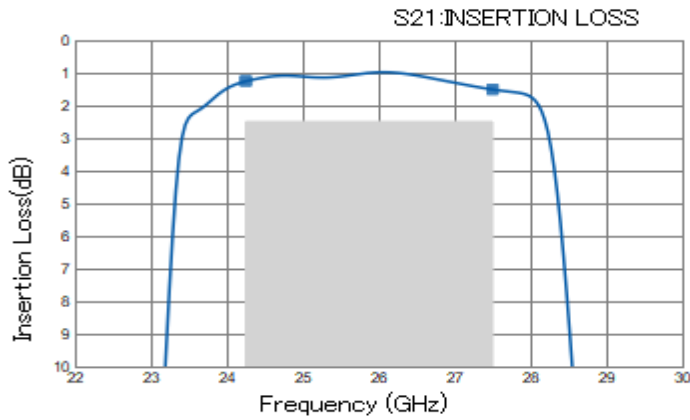
Ambient temperature : +25+/-5°C

PRELIMINARY

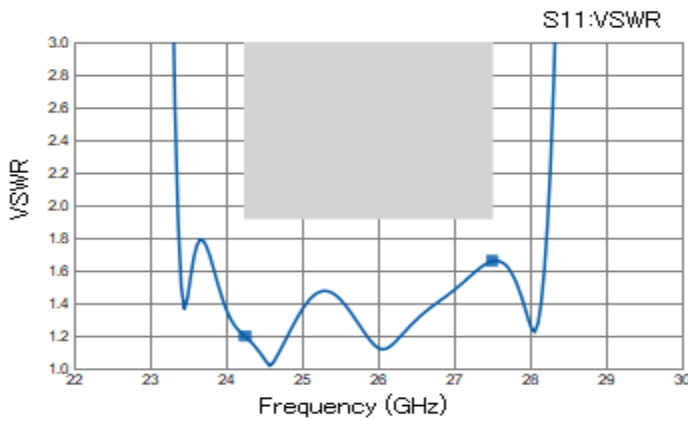
Sep. 2020 Ver.1.1N
TDK Corporation

MMCB3525G8T-0044A1

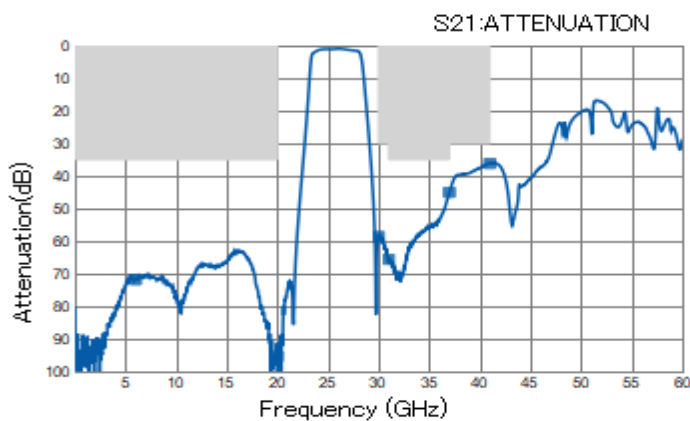
FREQUENCY CHARACTERISTICS



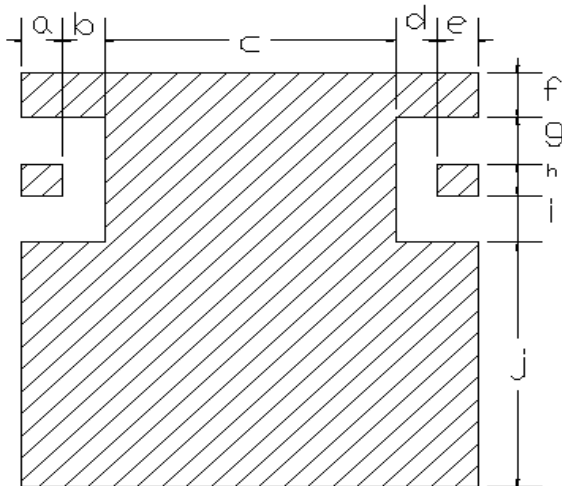
P/N	Ver.1_0N
Freq	
24.25~27.5	1.51
24.25	1.25
27.5	1.51



P/N	Ver.1_0N
Freq	
24.25~27.5	1.66
24.25	1.20
27.5	1.66

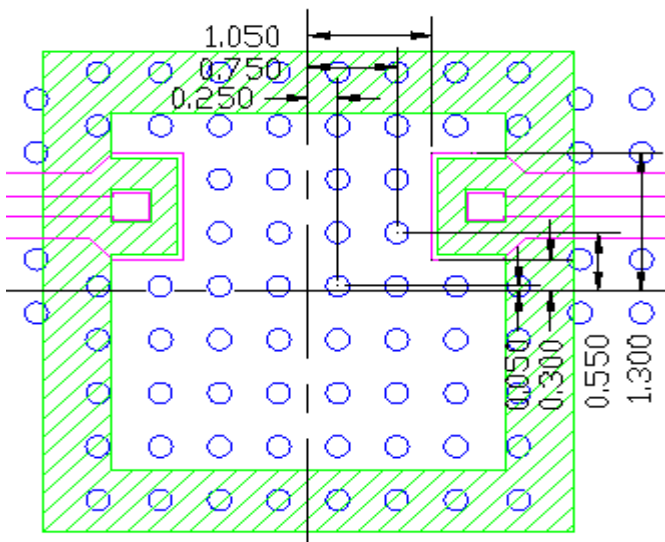


P/N	Ver.1_0N
Freq	
0.1~6	71.15
6~20	63.08
30~31	58.11
31~37	45.02
37~41	36.17
0.1	98.11
6	71.82
20	95.40
30	58.65
31	65.56
37	45.02
41	36.17

PRELIMINARYSep. 2020 Ver.1.1N
TDK Corporation**MMCB3525G8T-0044A1****RECOMMENDED LAND PATTERN**

Unit:mm

a	b	c	d	e	f	g	h	i	j
0.30	0.30	2.10	0.30	0.30	0.35	0.375	0.25	0.375	1.95
+0.1/-0.05	+0.1/-0.05	+/-0.15	+0.1/-0.05	+0.1/-0.05	+0.1/-0.05	+0.1/-0.05	+0.1/-0.05	+0.1/-0.05	+/-0.15

EVALUATION BOARD○ Thru Hole(ϕ 0.2mm)

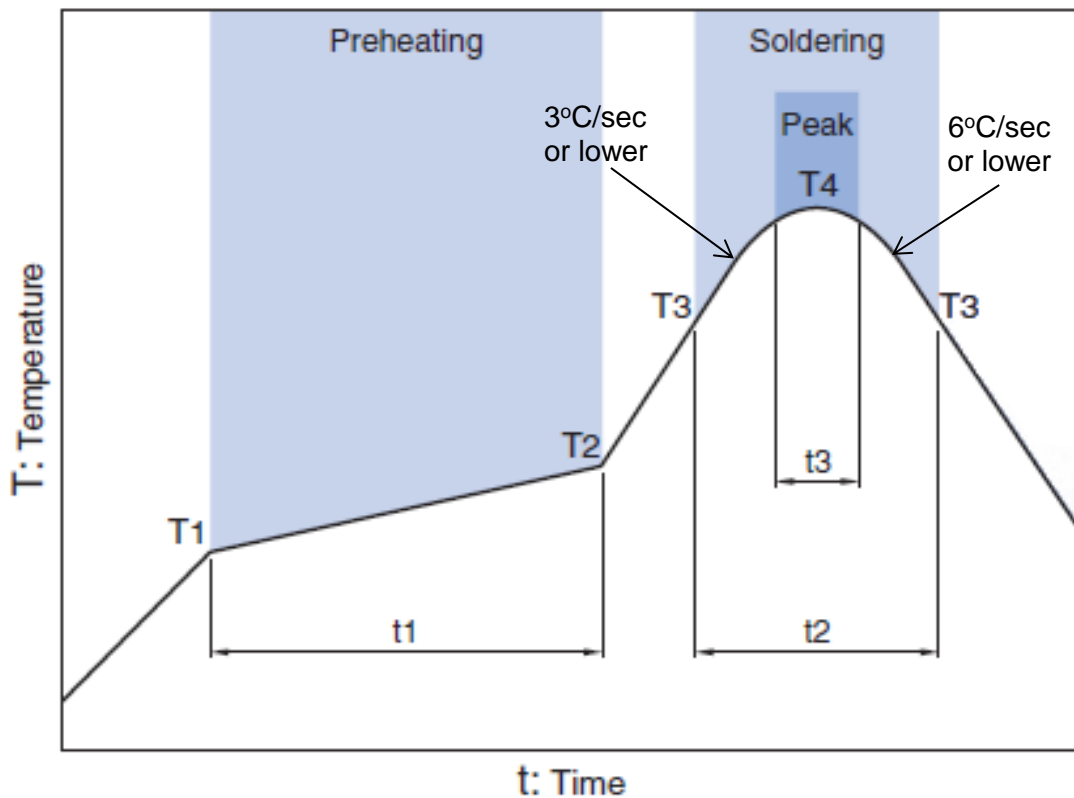
■ Resist

Material & Layer	Thickness
Top Resist	-
Copper Surface Pattern	0.035 mm
Megtron7(R-5785(N))	0.089 mm
Copper inner GND	0.035 mm
Megtron7(R-5680(N))	0.3 mm
Megtron7(R-5785(N))	
Copper Bottom GND	0.035 mm

Please make sure to place Thru hole to connect under layer GND at your PCB similar with TDK EVB drawing. If you have any concern about your PCB design, please do not hesitate to contact TDK.

ENVIROMENT INFORMATION

RoHS Statement
RoHS Compliance

PRELIMINARYSep. 2020 Ver.1.1N
TDK Corporation**MMCB3525G8T-0044A1****RECOMMENDED REFLOW PROFILE**

Preheating			Soldering			
			Critical zone (T3 to T4)		Peak	
Temp.	Time		Temp.	Time	Temp.	Time
T1	T2	t1	T3	t2	T4	t3 *
150°C	200°C	60 to 120sec	217°C	60 to 120sec	240 to 260°C	30 sec Max

* t3 : Time within 5°C of actual peak temperature

The maximum number of reflow is 3.

Note: Lead free solder is recommended.
Recommended solder is Sn-3.0Ag-0.5Cu. (M705 by Senju Metal Industry)

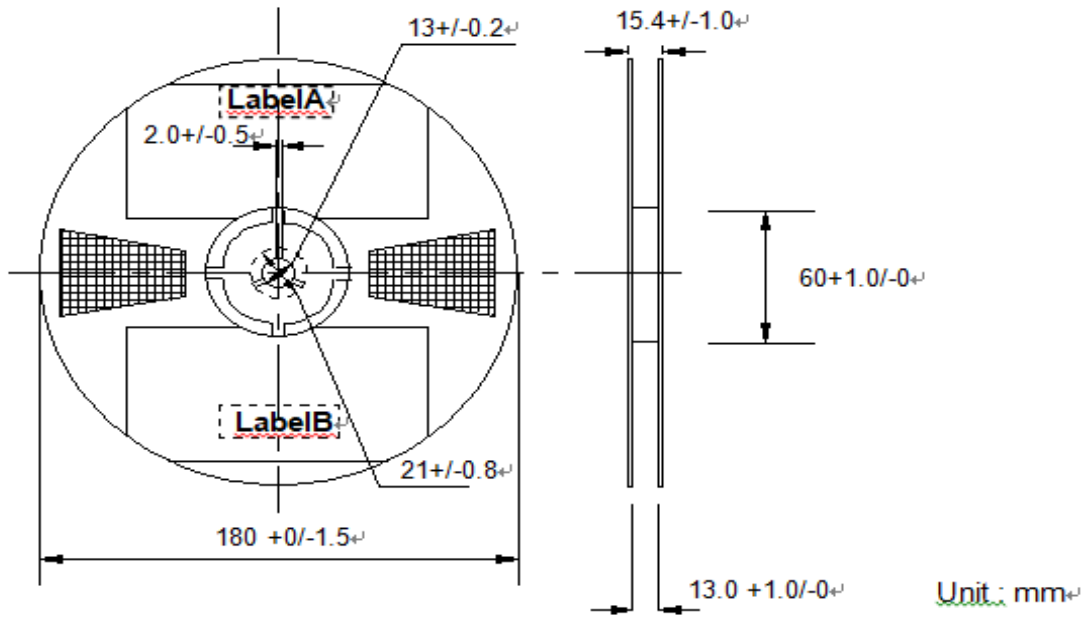
PRELIMINARY

Sep. 2020 Ver.1.1N
TDK Corporation

MMCB3525G8T-0044A1

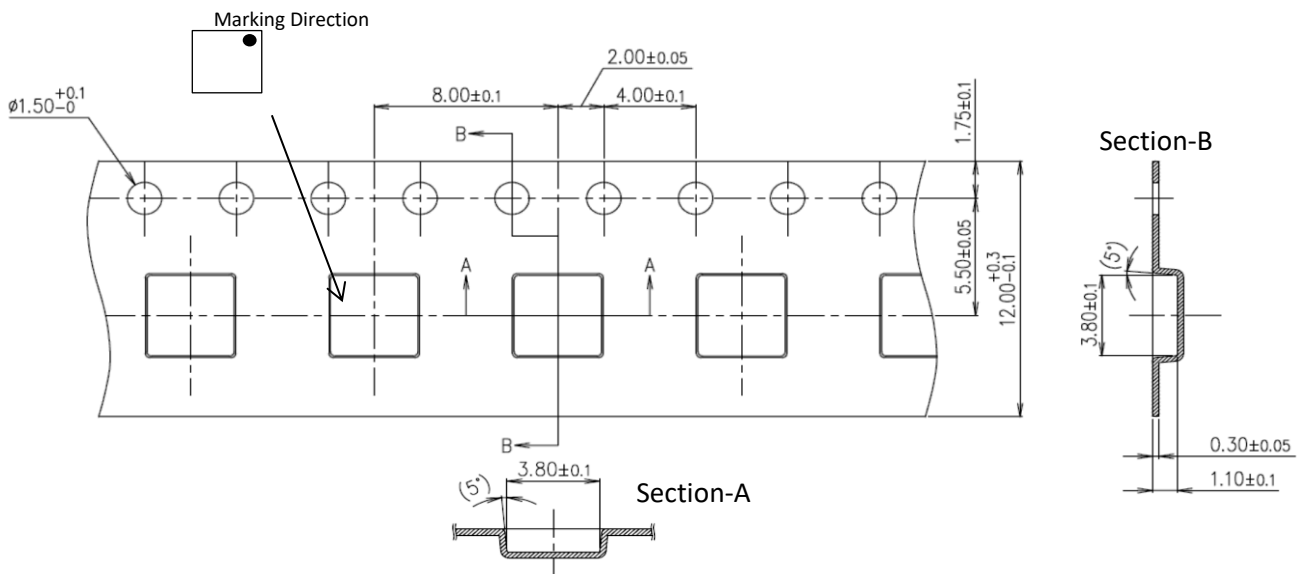
PACKAGING STYLE

Reel Dimensions



Taping Dimensions

Dimension in mm



STANDARD PACKAGE QUANTITY (pieces/reel)
1,500

REMINDERS FOR USING THESE PRODUCTS

Before using these products, be sure to request the delivery specifications.

SAFETY REMINDERS

Please pay sufficient attention to the warnings for safe designing when using these products.

REMINDERS

The products listed on this specification sheet are intended for use in general electronic equipment (AV equipment, telecommunications equipment, home appliances, amusement equipment, computer equipment, personal equipment, office equipment, measurement equipment, industrial robots) under a normal operation and use condition.

The products are not designed or warranted to meet the requirements of the applications listed below, whose performance and/or quality require a more stringent level of safety or reliability, or whose failure, malfunction or trouble could cause serious damage to society, person or property. Please understand that we are not responsible for any damage or liability caused by use of the products in any of the applications below or for any other use exceeding the range or conditions set forth in this specification sheet.

1. Aerospace/Aviation equipment
2. Transportation equipment (cars, electric trains, ships, etc.)
3. Medical equipment
4. Power-generation control equipment
5. Atomic energy-related equipment
6. Seabed equipment
7. Transportation control equipment
8. Public information-processing equipment
9. Military equipment
10. Electric heating apparatus, burning equipment
11. Disaster prevention/crime prevention equipment
12. Safety equipment
13. Other applications that are not considered general-purpose applications

When using this product in general-purpose applications, you are kindly requested to take into consideration securing protection circuit/equipment or providing backup circuits, etc., to ensure higher safety.

X-ON Electronics

Largest Supplier of Electrical and Electronic Components

Click to view similar products for [Signal Conditioning category](#):

Click to view products by [TDK manufacturer](#):

Other Similar products are found below :

[MAPDCC0001](#) [MAPDCC0004](#) [PD0409J5050S2HF](#) [880157](#) [HHS-109-PIN](#) [DC1417J5005AHF](#) [AFS14A30-2185.00-T3](#) [AFS14A35-1591.50-T3](#) [DS-323-PIN](#) [B39321R801H210](#) [1A0220-3](#) [JP510S](#) [LFB212G45SG8C341](#) [LFB322G45SN1A504](#) [LFL182G45TC3B746](#) [SF2159E](#) [30057](#)
[FM-104-PIN](#) [CER0813B](#) [MAPDCC0005](#) [3A325](#) [40287](#) [41180](#) [ATB3225-75032NCT](#) [BD0810N50100AHF](#) [BD2425J50200AHF](#)
[C5060J5003AHF](#) [JHS-115-PIN](#) [JP503AS](#) [DC0710J5005AHF](#) [DC2327J5005AHF](#) [DC3338J5005AHF](#) [43020](#) [LFB2H2G60BB1C106](#)
[LFL15869MTC1B787](#) [X3C19F1-20S](#) [XC3500P-20S](#) [10013-20](#) [SF2194E](#) [CDBLB455KCAX39-B0](#) [TGL2208-SM, EVAL](#) [RF1353C](#)
[PD0922J5050D2HF](#) [1E1305-3](#) [1G1304-30](#) [B0922J7575AHF](#) [2020-6622-20](#) [TP-102-PIN](#) [TP-103-PIN](#) [BD1222J50200AHF](#)