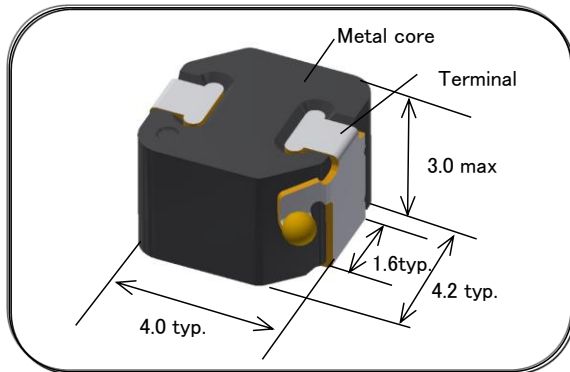


**Component
Image & Dimension**

Simulation Data



Features :

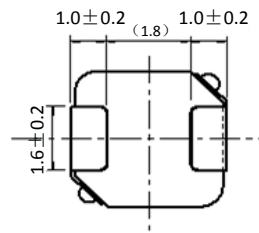
- a) Small Footprint and Low Profile Design :
Footprint : 4.2x4.0 mm Typ.
Height : 3.0mm Max.
- b) High Power Handling Capability :
Small Copper Loss
Using Large Saturation Induction of Fe- based metals
- c) Wide Range Operating Temperature due to High Curie Temperature of metal core

unit : mm

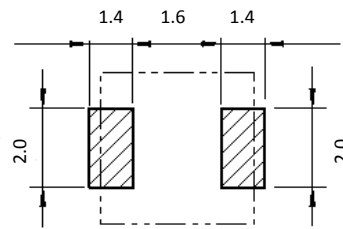
Applications :

- Car navigation
- Car audio
- Car-Multimedia
- HID lighting
- LED drivers

Terminal dimension:



Recommended pad layout :



Electrical Specification

TDK Identification	Inductance		Test Freq. (kHz)	DC Resistance		Rated DC Current			Status
	at 0A (uH)	Tol. (%)		Spec. (m-Ohm)	Typ. (m-Ohm)	Isat 1 (A) typ	Isat 2 (A) typ	Itemp (A) typ.	
SPM4030T-R47M-HZ	0.47	+/-20%	100	7.0 max	6.4	6.0	10.0	11.5	Simulation stage
SPM4030T-1R0M-HZ	1.00	+/-20%	100	15.5 max	14.1	5.0	6.5	8.0	Simulation stage
SPM4030T-1R5M-HZ	1.50	+/-20%	100	25.1 max	22.8	3.5	5.0	6.3	Simulation stage
SPM4030T-2R2M-HZ	2.20	+/-20%	100	40.2 max	36.5	3.0	4.5	5.2	Simulation stage
SPM4030T-3R3M-HZ	3.30	+/-20%	100	64.5 max	58.6	2.2	3.5	4.0	Simulation stage
SPM4030T-4R7M-HZ	4.70	+/-20%	100	90.1 max	81.9	2.0	3.0	3.0	Simulation stage

Note.
Isat 1 : Based on the inductance change.(drop 20% typ.)
Isat 2 : Based on the inductance change.(drop 30% typ.)
Itemp : Based on the self temperature rise. (+40 deg typ.)
Operating Temperature Range: -40 °C ~ +125 °C (including self temperature rise)

X-ON Electronics

Largest Supplier of Electrical and Electronic Components

Click to view similar products for [tdk manufacturer](#):

Other Similar products are found below :

[VLF5012ST-1R0N2R5](#) [R14493](#) [SWS1000L-24/BL](#) [CXA-2115](#) [MCZ1210AH301L2T](#) [78P7200-IH/F](#) [MLP2012S1R5TT](#) [ACH3218-682-TD01](#) [ACT45B-KIT](#) [NL565050T-822J-PF](#) [C1005JB1H471K050BA](#) [C1608CH1H151J080AA](#) [C2012JB1H105K125AB](#)
[C4532NP01H154J250KA](#) [CD75-B2GA331KYGKA](#) [CLF10040T-221M](#) [CLF12555T-220M](#) [R22095*REPAIRED](#) [MLF1005LR12K](#)
[VLS252015T-3R3M1R0](#) [VLS4012T-150MR65](#) [ZCAT-KIT](#) [MPZ2012-KIT](#) [NLV32T-R27J-EFD](#) [CGA3EANP02A682J080AC](#)
[CKCM25C0G2A101K060AK](#) [CLF10040T-4R7N](#) [WTM505090-10K2-5V-G1](#) [VLS252010HBX-R24M-1](#) [CGJ2B2X7R1C222K](#)
[CGA9M1X7T2J334K](#) [CGA8P3X7T2E105M/SOFT](#) [CGA6J4C0G2J392J](#) [CGA6M3X7R2E154K](#) [CGA3E3C0G2E181J](#) [CGA2B2C0G1H331J](#)
[C-WPTX01-E6-KIT](#) [CEU-AC01-E6-KIT](#) [CERB3UX5R0G105M](#) [RLF12545T-100M5R1-PF](#) [PFE500F28/T](#) [CCT406393-600-36-02](#)
[PFC3819QM-181K09B-00](#) [VLF3010AT-100MR49](#) [MMZ0603D330C](#) [MPZ2012S102ATD25](#) [MLG0603P-2-KIT](#) [MLG1608B18NJ](#) [UHV-251A](#) [FHV-11AN](#)