



Wireless Charging

Rx (Receiving) Modules

WRM483245-15F5-5V-G

Wireless Charging

Halogen-free

Overview of Rx Modules

FEATURES

- Rx turnkey solution including receiving coil unit and module for wireless charging.
- Pre cracked ferrite is available for durable construction.
- Very thinner total module product. Maximum thickness is 1.0mm.
- Flexible sheet type is available.
- Custom design is available based on each design requirements.

APPLICATION

Smartphones, cellular phones, handheld mobile terminals, and DSCs

PART NUMBER CONSTRUCTION

W	RM	4832	45	-	15	F5	-	5V	-	G
Wireless charging	Category	LxW Dimensions (mm)	Sheet thickness (mm)		Coil turns	Material		Output voltage		Internal code
	RM Rx Module	4832 48.0x32.0	45 0.45			F5		5V		

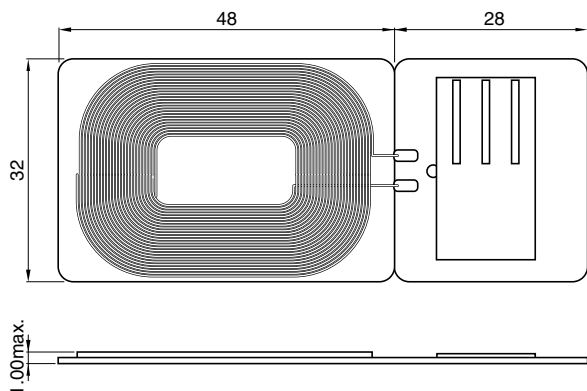
○ Halogen-free: Indicates that Cl content is less than 900ppm, Br content is less than 900ppm, and that the total Cl and Br content is less than 1500ppm.

• All specifications are subject to change without notice.

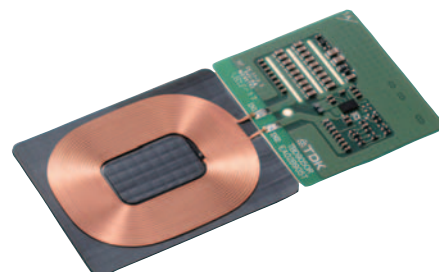
Rx Modules

WRM483245-15F5-5V-G

■ SHAPE & DIMENSIONS



Dimensions in mm



■ ELECTRICAL CHARACTERISTICS

□ CHARACTERISTICS SPECIFICATION TABLE

Rx coil unit

Inductance (μH) [100kHz, 1Vrms]	DC resistance (Ω)max. [25°C]
13	0.27

Rx module

Output voltage (V)	Output current (A)	Efficiency* (%)ref.	IC Information
4.95 to 5.05 (BQ51013B)	0.5 to 0.7	72	BQ51013B (TI wireless charging IC)

* Contact us for more information.

X-ON Electronics

Largest Supplier of Electrical and Electronic Components

Click to view similar products for [Wireless Charging Coils](#) category:

Click to view products by [TDK](#) manufacturer:

Other Similar products are found below :

[WM5V](#) [WR383245-17F5-G](#) [SWC4242KB120-100](#) [IWAS3222CZEB190JF1](#) [WR222230-26M8-G](#) [146179-4011](#) [AWCCA107T52H40C01B](#)
[AWCCA-15N15H06-C01-B](#) [AWCCA-18R18H10-C01-B](#) [AWCCA-26R26H08-C01-B](#) [AWCCA-28R15H08-C01-B](#) [AWCCA-30N30H20-C01-](#)
[B](#) [AWCCA-36R36H08-C51-B](#) [AWCCA-37R37H18-C01-B](#) [AWCCA-42R38H08-C03-B](#) [AWCCA-50N50H16-C51-B](#) [AWCCA-50N50H30-](#)
[C21-B](#) [AWCCA50N50H35C01B](#) [AWCCA50N50H35C02B](#) [AWCCA50N50H50C01B](#) [AWCCA53N53H50C01B](#) [AWCCA53N53H50C02B](#)
[AWCCA-RX350300-101](#) [AWCCA-RX404012-102](#) [DFR0712](#) [SWM1390](#) [SWW174N](#) [WMRR124F-1](#) [WMRR132F-0](#) [WMRR138F-0](#)
[WMRR147F-1](#) [WMRT130F-0](#) [WMRT399A-0](#) [WR111180-36F5-B1](#) [WR111180-49F5-G](#) [WR121210-27M8-ID](#) [WR202010-18M8-ID](#)
[WR202010-18M8-SM](#) [WR202020-18M8-G](#) [WR221230-36M8-G](#) [WR303050-12F5-ID](#) [WR303050-15F5-G](#) [WR444025-17M6-G](#) [WR464650-](#)
[10K2-FS3](#) [WR483245-15F5-G](#) [WR483265-13F5-G](#) [WR483265-15F5-G](#) [WR524825-17M6-NF-G](#) [WR524830-16F3-NF-G](#) [WRM483265-](#)
[10F5-12V-G](#)