



# PRODUCT SPECIFICATION

**SPEC. No:** \_\_\_\_\_

**Attn:** \_\_\_\_\_

**DATE: July.05.2012**

CUSTOMER PRODUCT NAME:
TDK PRODUCT NAME: <b>WT-1005660-12K2-A6-G</b>
THIS SPECIFICATION IS:

## **TDK-EPC Corporation**

### **Head Office Address:**

1-13-1, Nihonbashi, Chuo-ku, Tokyo

103-0027 , Japan

### **SALES**

MANAGER	SALES

### **ENGINEERING**

APPROVED	CHECKED	ISSUED

Sales Office \_\_\_\_\_

Sales Tel. \_\_\_\_\_

PRODUCT CLASSIFICATION CODE	
-----------------------------	--

# REVISED HISTORY

CUSTOMER PRODUCT NAME: \_\_\_\_\_

TDK PRODUCT NAME: **WT-1005660-12K2-A6-G** \_\_\_\_\_

NO.	REV.	REVISED CONTENT	REVISED REASON	DATE
1	0	To establish specification		2012.07.05

# PRODUCT SPECIFICATION

TDK PRODUCT NAME:

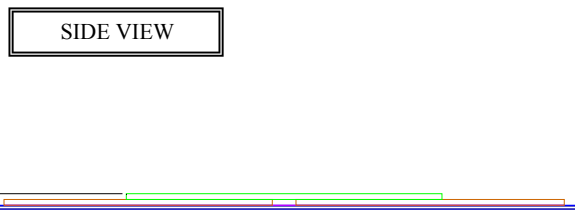
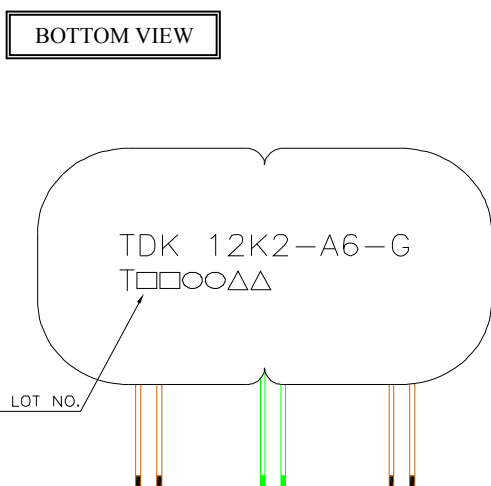
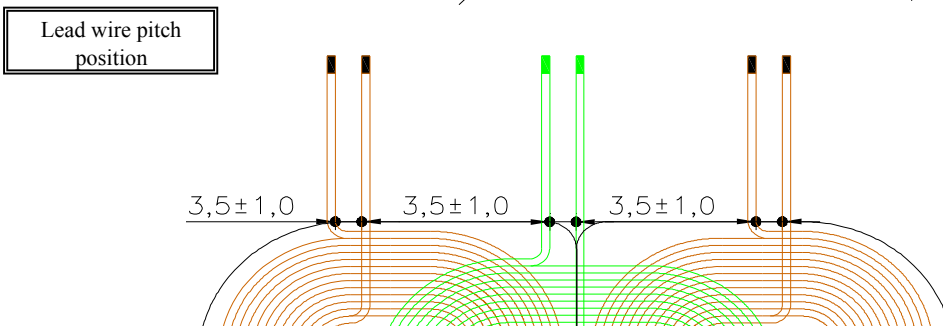
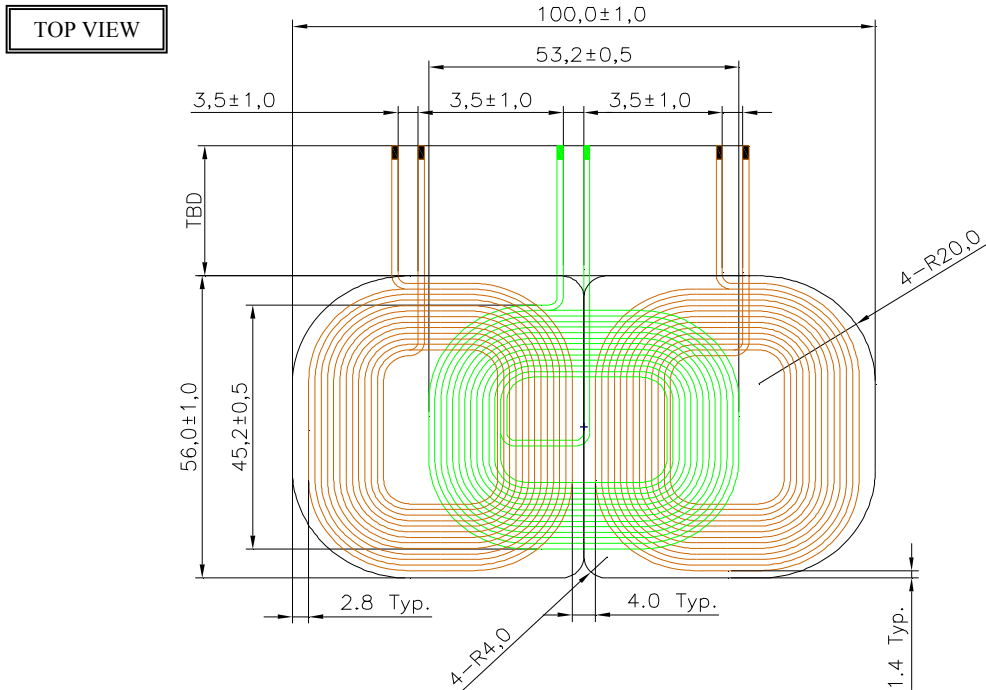
**WT-1005660-12K2-A6-G**

SPEC. NO.

CUSTOMER PRODUCT NAME:

(1) Apperance & Dimensions (Unit: mm)

Weight: 46.7 g (Typ.)



[ Remarks ]

1. Lead wire pitch is end of wire position, not output terminal.
2. Marking Content:
  - a. T: Manufacturing Centers
  - b. Lot No.: □□ ○○ △△
    - (1) Year: A.D. end number in double
    - (2) Month: Jan.(1), Feb.(02)...Dec.(12)
    - (3) Day: 01,02,03,...31.

# PRODUCT SPECIFICATION

TDK PRODUCT NAME: <b>WT-1005660-12K2-A6-G</b>	SPEC. NO.	CUSTOMER PRODUCT NAME:
--	-----------	------------------------

## (2) Air coil specification

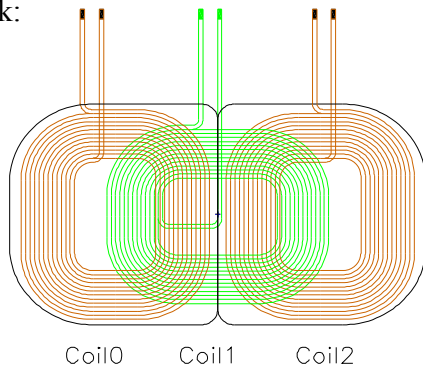
Wire Diameter:  $\phi 0.08\text{mm} \times 105$  ( Type2 Wire)

Coil Turns: 12TS / 1 layer

## (3) Electrical Characteristics

No.	Parameter	Specification	Test Instrument	
1	Inductance	Coil 0	HP 4284A DIGITAL LCR METER or EQUIVALENT (@100kHz 1.0 Vrms)	
		Coil 1		12.5 $\mu\text{H} \pm 10\%$
		Coil 2		11.5 $\mu\text{H} \pm 10\%$
2	Q Value	Coil 0	HP 4284A DIGITAL LCR METER or EQUIVALENT (@100kHz 1.0 Vrms)	
		Coil 1		70 (Min.)
		Coil 2		
3	DC Resistance	Coil 0	CHEN HWA 502A OHM METER or EQUIVALENT	
		Coil 1		0.08 $\Omega$ (Max.) (At 25°C)
		Coil 2		

\* Remark:



## (4) Temperature Characteristics

No.	Parameter	Specification
1	Operating Temperature	-30~70°C
2	Storage Temperature	-40~85°C

## (5) Application

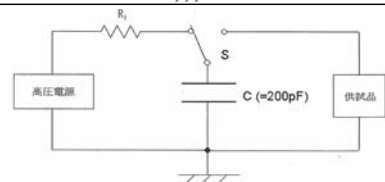
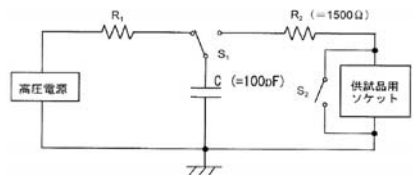
1. The product fit in with RoHS rule.
2. The product fit in with Halogen-Free.
3. Reflow and dip-flow soldering can not used for this product.

# PRODUCT SPECIFICATION

TDK PRODUCT NAME: <b>WT-1005660-12K2-A6-G</b>	SPEC. NO.	CUSTOMER PRODUCT NAME:
--	-----------	------------------------

## (6) Reliability Conditions

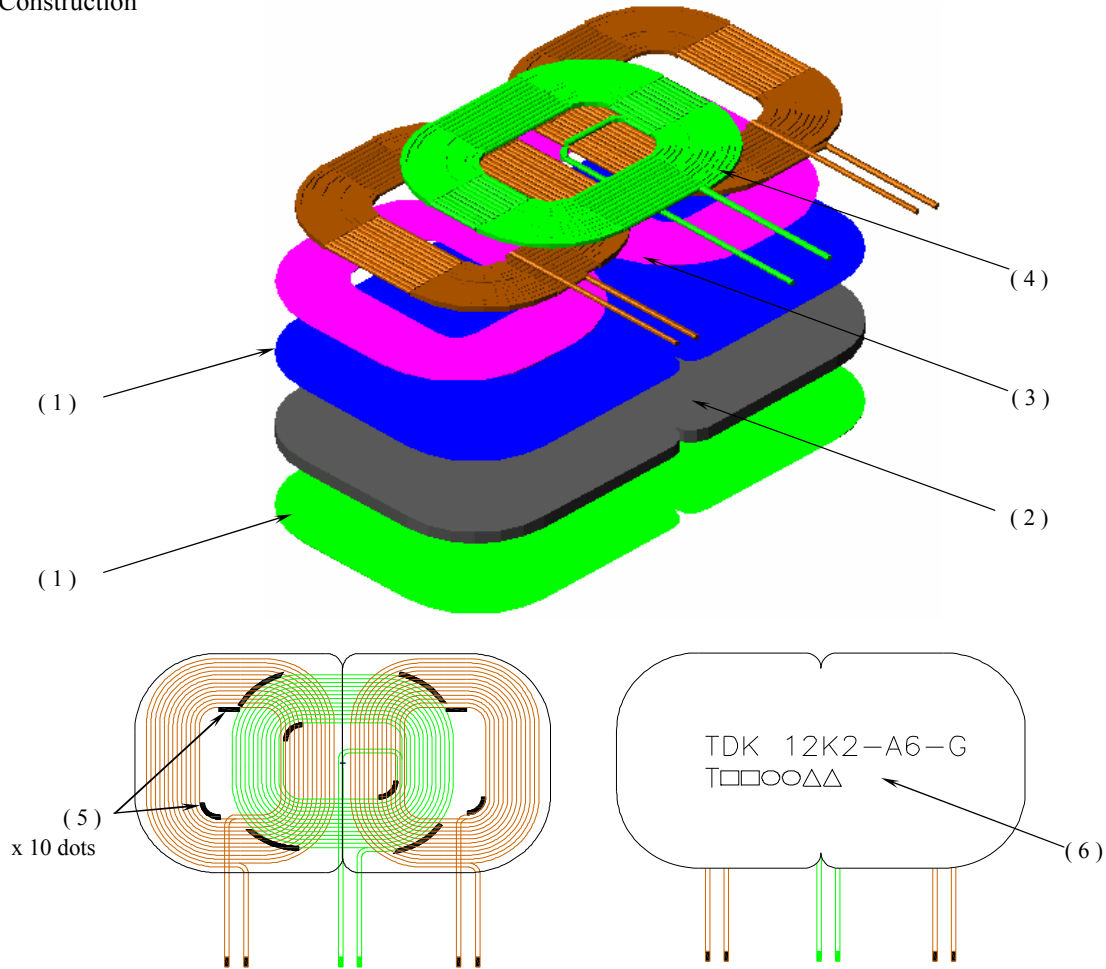
No.	Parameter	Conditions
1	Low Temperature (Storage)	(1) Temperature : $-40\pm 2^{\circ}\text{C}$ (2) Time : 240Hrs
2	High Temperature (Storage)	(1) Temperature : $+85\pm 2^{\circ}\text{C}$ (2) Time : 240Hrs
3	Thermal Shock	(1) Temperature : $-40\pm 5^{\circ}\text{C} / 30\text{min} \sim +85\pm 5^{\circ}\text{C} / 30\text{min}$ (2) Ambient Time : 5min (3) Times : 100cycles
4	Vibration	Unpacked: (1) frequency: 10~500Hz sweep 1 octave wave / 1 min (2) Amplitude: 1.5mm (p-p) or 10G (3) Direction: X, Y, Z, direction (4) Time: X, Y, Z for 2 hours each.
5	Temperature / Humidity (Storage)	(1) Temperature : $+60\pm 2^{\circ}\text{C}$ (2) Humidity: 90% RH. (3) Time: 240Hrs
6	Temperature / Humidity (OP)	(1) Temperature : $+60\pm 2^{\circ}\text{C}$ (2) Humidity: 90% RH. (3) Time: 240Hrs (4) Current: DC 1.0A (5) Frequency: 100kHz
7	Package Drop	(1) Drop the sample package in a carton box. (2) Height : 100 cm (3) Direction : 1corner, 3 edges, 6 faces (4) Drop time : 16 times
8	ESD(HBM)	(1) Test Voltage: 1000V (2) Ambient: $25\pm 5^{\circ}\text{C}$ (3) Time: Negative / Positive each 1 time (4) Resistance: $1500\Omega$ (5) Capacitance: 100pF
9	ESD(MM)	(1) Test Voltage: 100V (2) Ambient: $25\pm 5^{\circ}\text{C}$ (3) Time: Negative / Positive each 1 time (4) Capacitance: 200pF



# PRODUCT SPECIFICATION

TDK PRODUCT NAME: <b>WT-1005660-12K2-A6-G</b>	SPEC. NO.	CUSTOMER PRODUCT NAME:
--	-----------	------------------------

(7) Construction



(8) Material List

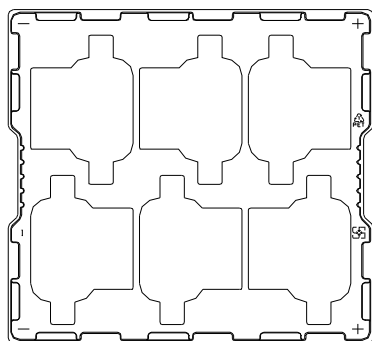
No.	Material Name
1	PET Tape
2	Ferrite Sheet
3	Adhesive Tape
4	Air Coil
5	Glue
6	Ink

# PRODUCT SPECIFICATION

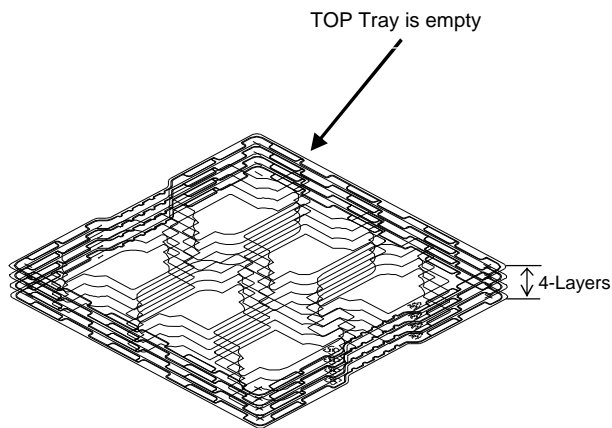
TDK PRODUCT NAME: <b>WT-1005660-12K2-A6-G</b>	SPEC. NO.	CUSTOMER PRODUCT NAME:
--	-----------	------------------------

**(9) Packing**

- To stack the the Trays onto 4 Layers:
  - PET tray dimension: 326\*329\*11.0mm (REF.)
  - 6 Pcs / per PET tray (REF.)



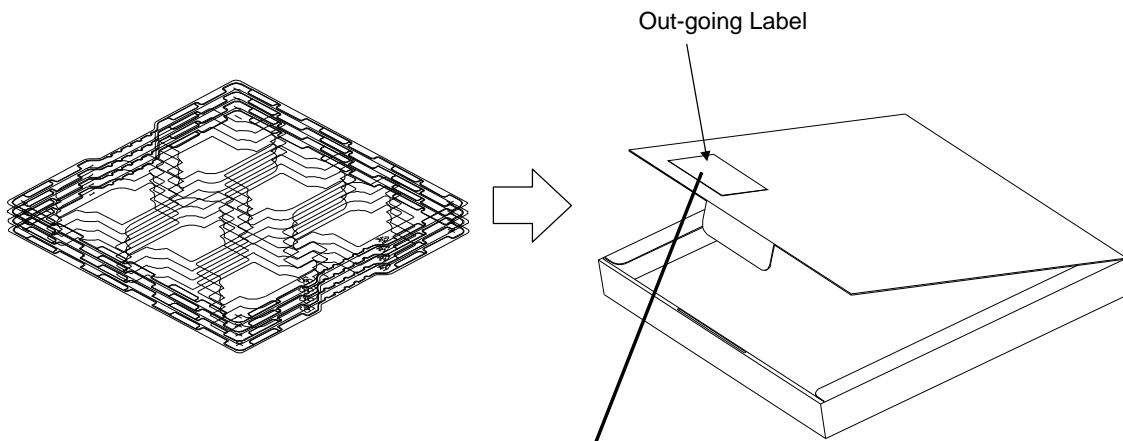
Total : 2x3=6pcs



Total : 6x3=18pcs

- To put 2 Trays of products into the small Carton and affixing the out-going label on the outside .

- Small carton dimension: 331\*337\*33mm (REF.)
- 4 PET Trays / per small carton ( PET tray of the top side is empty in the small carton)



Out-going Label

# PRODUCT SPECIFICATION

TDK PRODUCT NAME:

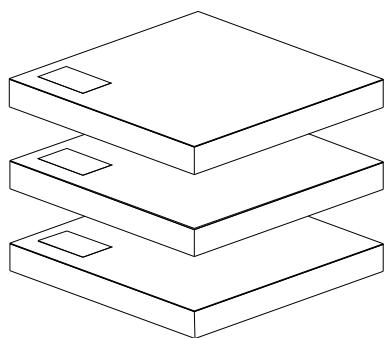
**WT-1005660-12K2-A6-G**

SPEC. NO.

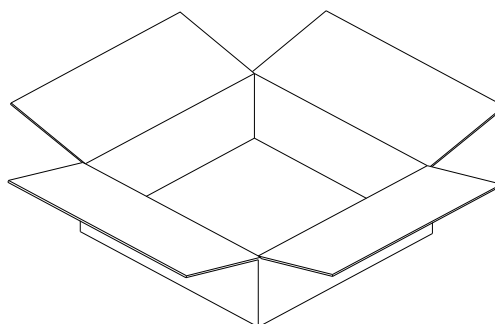
CUSTOMER PRODUCT NAME:

3. To put 3 small carton into the Carton .

- Outer carton dimension: 347\*340\*124mm (REF.)
- 3 small cartons / per outer carton
- Total quantity : 54 Pcs (REF.)



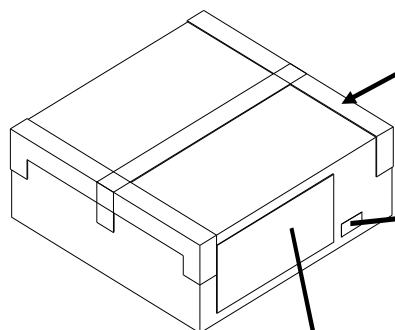
**3 small cartons**



**Outer carton**

4. Packing.




- To pack the carton by scotch tape and affix out-going label (outside) on it outside.
- The Inspection data in the box , there would be a signet mark on it outside.



scotch tape

INSPECTION DATA  
ENCLOSED  
檢驗紀錄表在內

signet mark of Inspection data

(3S) TTW-WL11K0600200101400000360		CUSTOMER: Customer	
		CUST. PART NO(P): 12A34567-89A	
(6S) C/NO: 1	BOX COUNT	TDK ITEM CODE(6P): 1TXDF12345TWN	
	001/009	P/O NO.(K): TTTT-S123456789	
SHIPPING MARK	ROHS	LOT NO.(IT): WL12345678	
SAMPLE		DATE: Nov.22.2011	
Customer Location		QTY(Q): 288	
		TDK ITEM (IP): WT-1005660-12K2-A6-G	
MADE IN TAIWAN WL12K34567 12345A6789		(WT-1005660-12K2-A6-G)	
		SUB P/O NO.(6K): 4500059424	
C/NO : 1      WAREHOUSE      (CT)		TDK SPEC.	
		TDK TAIWAN CORPORATION      YANGMEI, TAIWAN      9  TTXDF10105	
NW 3.6	GW 4.0		

out-going label



## X-ON Electronics

Largest Supplier of Electrical and Electronic Components

*Click to view similar products for [Wireless Charging Coils](#) category:*

*Click to view products by [TDK](#) manufacturer:*

Other Similar products are found below :

[WM5V](#) [WR383245-17F5-G](#) [SWC4242KB120-100](#) [IWAS3222CZEB190JF1](#) [WR222230-26M8-G](#) [146179-4011](#) [AWCCA107T52H40C01B](#)  
[AWCCA-15N15H06-C01-B](#) [AWCCA-18R18H10-C01-B](#) [AWCCA-26R26H08-C01-B](#) [AWCCA-28R15H08-C01-B](#) [AWCCA-30N30H20-C01-](#)  
[B](#) [AWCCA-36R36H08-C51-B](#) [AWCCA-37R37H18-C01-B](#) [AWCCA-42R38H08-C03-B](#) [AWCCA-50N50H16-C51-B](#) [AWCCA-50N50H30-](#)  
[C21-B](#) [AWCCA50N50H35C01B](#) [AWCCA50N50H35C02B](#) [AWCCA50N50H50C01B](#) [AWCCA53N53H50C01B](#) [AWCCA53N53H50C02B](#)  
[AWCCA-RX350300-101](#) [AWCCA-RX404012-102](#) [DFR0712](#) [SWM1390](#) [SWW174N](#) [WMRR124F-1](#) [WMRR132F-0](#) [WMRR138F-0](#)  
[WMRR147F-1](#) [WMRT130F-0](#) [WMRT399A-0](#) [WR111180-36F5-B1](#) [WR111180-49F5-G](#) [WR121210-27M8-ID](#) [WR202010-18M8-ID](#)  
[WR202010-18M8-SM](#) [WR202020-18M8-G](#) [WR221230-36M8-G](#) [WR303050-12F5-ID](#) [WR303050-15F5-G](#) [WR444025-17M6-G](#) [WR464650-](#)  
[10K2-FS3](#) [WR483245-15F5-G](#) [WR483265-13F5-G](#) [WR483265-15F5-G](#) [WR524825-17M6-NF-G](#) [WR524830-16F3-NF-G](#) [WRM483265-](#)  
[10F5-12V-G](#)