



MediPlas

Reactor

Series/Type: V 1.0
Ordering code: Z63000Z2910Z1Z84 (Prototype)
Date: 2023-07-27
Version: 8

Preliminary data
Intended use

Electro-ceramic ozone generator with active temperature control

Features

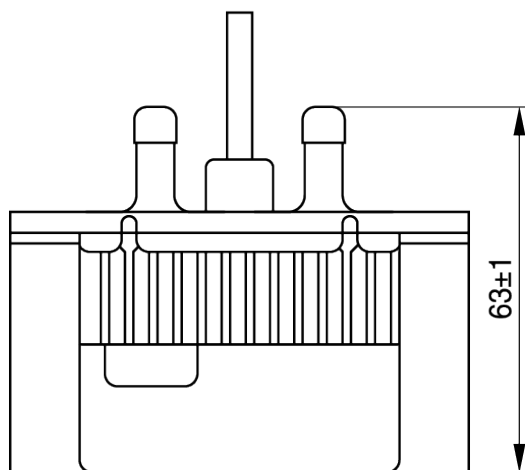
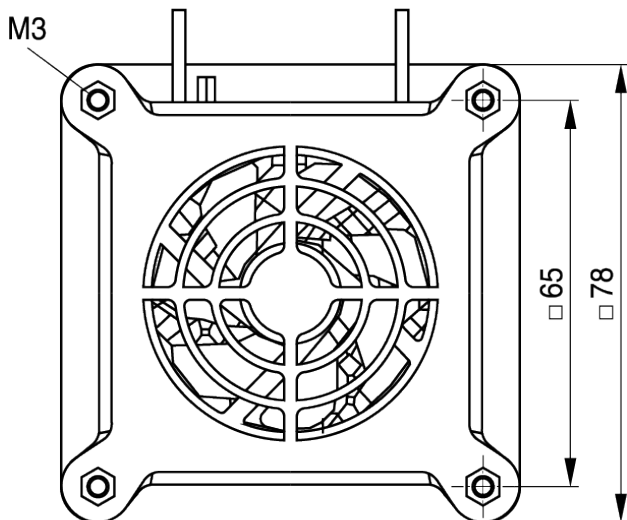
- Compact and highly efficient
- Active temperature control (cooling and heating)
- Easy to integrate
- Continuous operation


Specification

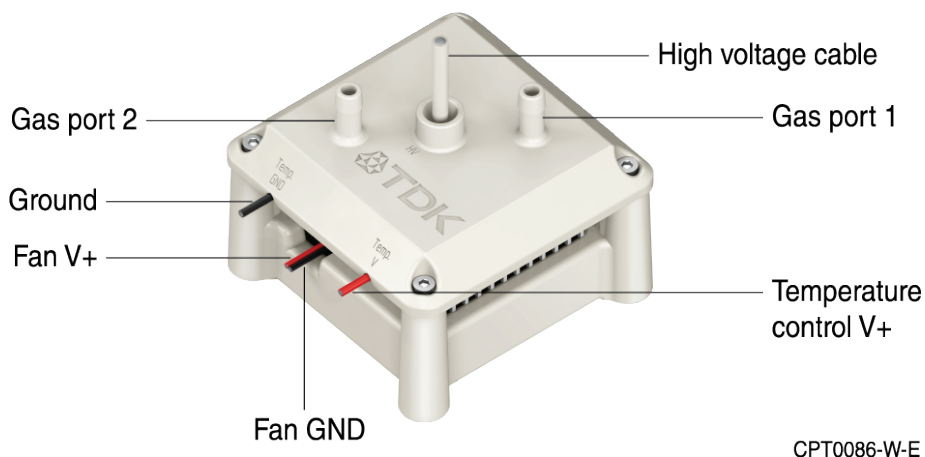
Maximal continuous input DC power	40 W
Input voltage fan	3 ... 12 V
Input voltage temperature control	±12 V (max. 3 A)
HV input	1.5 ... 5 kV AC (~ 20 kHz)
Gas flow	0 ... 10 slm
Dimensions	78 x 63 x 78 (w x h x d) mm without hoses
Weight	0.23 kg
Operating temperature:	0 °C ... 50 °C
Agency approvals	RoHS
Cooling	Active with fan

Preliminary data

Dimensional drawings



CPT0076-R

Preliminary data
Interfaces: cables and ports

Interfaces

Interfaces	Type	Size 1	Size 2
Gas port 1	Hose connector	Ø 6 mm	-
Gas port 2	Hose connector	Ø 6 mm	-
High voltage	HV cable 25 kV	AWG 20	L = 150 ±20 mm
Temperature control V+	Wire red	AWG 20	L = 200 ±20 mm
Ground	Wire black	AWG 20	L = 200 ±20 mm
Fan V+	Wire red	AWG 26	L = 290 ±10 mm
Fan GND	Wire black	AWG 26	L = 290 ±10 mm

Work range

Value	Min.	Typ.	Max.
Gas flow [slm]	0	1	10
Temperature Control [A]	- 3	2	3
Fan [V]	3	12	12
High voltage power [W]	5	10	20
O3 concentration* [ppm]	0	1500	4000

*dry air, 20 °C room temperature, 0.5 slm

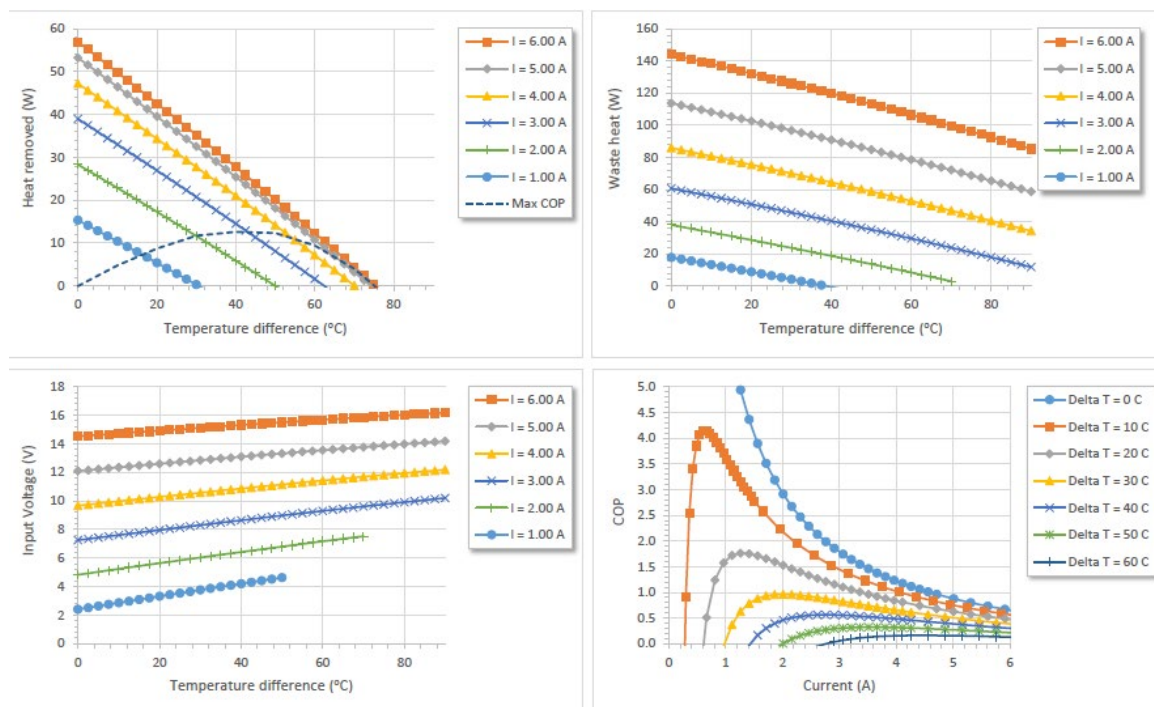
Preliminary data
Environmental

Operating temperature	°C	5 ... 40
Operating humidity	% RH	up to 85
Cooling	W	~ 40 W, depending on working point
Altitude	M	3000
Withstand voltage	V _{ac}	6600 V (HV to GND)

Temperature control

To influence the chemistry inside of the reactor, the temperature can be controlled by a thermoelectric cooler module. The ‘hot side’ is coupled to the air-cooler system.

The “reactor temperature” can be calculated by measuring the plasma power (“heat removed”) and the temperature difference of the module according to the specification of the cooler module:

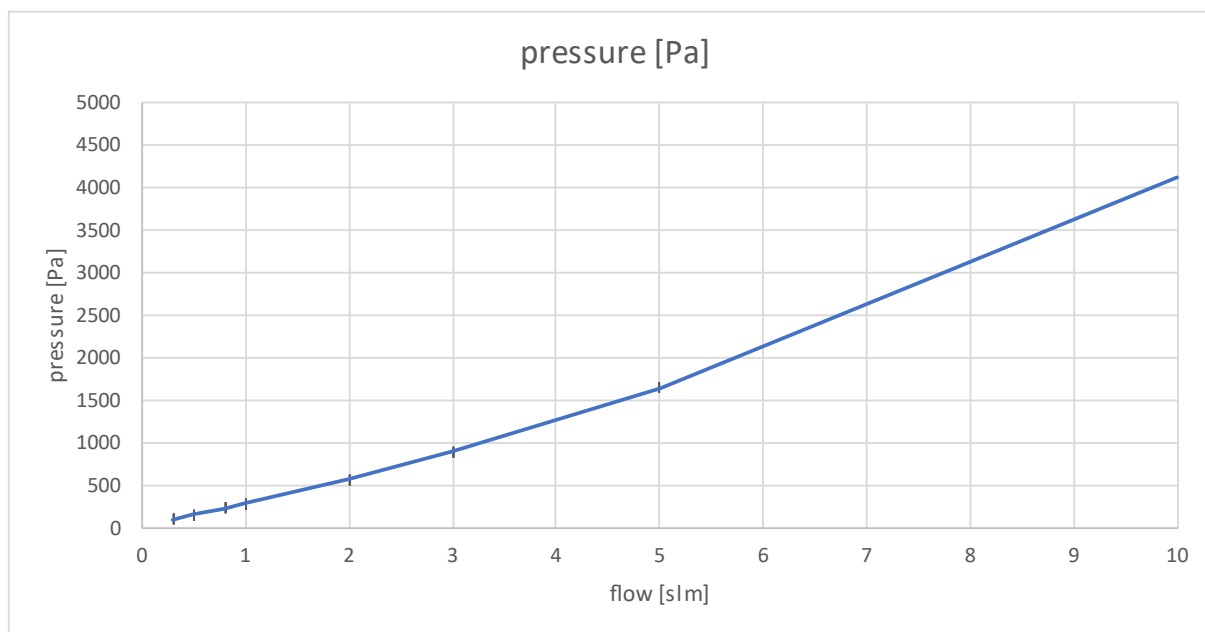
Data sheet – at hot side temperature °C


To cool the inside of the reactor, a positive voltage must be applied to the red cable opposite the black earth cable. To heat the inside, a negative voltage can also be applied to the red cable.

Preliminary data

Pressure drop

The MediPlas Reactor is designed for a wide range of applications and operating conditions. The gas flow can be up to 10 slm. The pressure drop across the reactor per flow is almost linear over the entire application range and can be seen in the following graph:



Ozone production

The ozone production rate strongly depends on the electrical parameters and the composition of the feed gas.

The drier the feed gas and the higher the oxygen content of the feed gas, the higher the expected ozone output of the reactor.





Depending on the set electrical parameters, the quantity and the type of feed gas used, ozone generation rates of up to 1 g/h with dry air, or up to 30 g/h with pure oxygen can be achieved on a stationary basis.

Preliminary data
Impermissible operating conditions

Operation of the unit is not permitted under the following conditions:

- Use in potentially explosive atmospheres (EX)
- In case of insufficient ventilation/insufficient heat exchange
- In case of condensing intake air
- In case of heavy dust deposits
- At altitudes above 3000 m above sea level

Cautions and warnings

	<p>Important! The delivered products are engineering samples which are not intended for commercial use in series products of the purchaser. They do not have a CE certificate and may only be used by trained personnel. TDK assumes no warranty. Any use is at the sole risk of the purchaser. In case of any questions, please contact TDK.</p>
	<p>Danger due to high voltage! Always ensure that the high voltage parts are connected correctly. Do not open the device. If the device is damaged, disconnect the voltage supply and contact the manufacturer.</p>
	<p>Danger due to hot surface! The cooler surface can be hot. Do not touch during operation.</p>
	<p>Caution – nitrogen oxides and ozone (O₃)! The machine produces nitrogen oxides, ozone, and other hazardous substances, depending on feed gas supply and power settings.</p> <ul style="list-style-type: none"> – Make sure the working area is well ventilated. – Install a sufficient gas extraction. – Note that national health and safety measures must be observed when operating the device. – Only use the device in well vented areas or in conjunction with a suitable extraction device. – Do not leave the device running unattended.

Preliminary data

Display of ordering codes for TDK Electronics products

The ordering code for one and the same product can be represented differently in data sheets, data books, other publications, on the company website, or in order-related documents such as shipping notes, order confirmations and product labels. **The varying representations of the ordering codes are due to different processes employed and do not affect the specifications of the respective products.** Detailed information can be found on the Internet at www.tdk-electronics.tdk.com/orderingcodes.

Important notes

The following applies to all products named in this publication:

1. Some parts of this publication contain **statements about the suitability of our products for certain areas of application**. These statements are based on our knowledge of typical requirements that are often placed on our products in the areas of application concerned. We nevertheless expressly point out **that such statements cannot be regarded as binding statements about the suitability of our products for a particular customer application**. As a rule we are either unfamiliar with individual customer applications or less familiar with them than the customers themselves. For these reasons, it is always ultimately incumbent on the customer to check and decide whether a product with the properties described in the product specification is suitable for use in a particular customer application.
2. We also point out that **in individual cases, a malfunction of electronic components or failure before the end of their usual service life cannot be completely ruled out in the current state of the art, even if they are operated as specified**. In customer applications requiring a very high level of operational safety and especially in customer applications in which the malfunction or failure of an electronic component could endanger human life or health (e.g. in accident prevention or life-saving systems), it must therefore be ensured by means of suitable design of the customer application or other action taken by the customer (e.g. installation of protective circuitry or redundancy) that no injury or damage is sustained by third parties in the event of malfunction or failure of an electronic component.
3. **The warnings, cautions and product-specific notes must be observed.**
4. In order to satisfy certain technical requirements, **some of the products described in this publication may contain substances subject to restrictions in certain jurisdictions (e.g. because they are classed as hazardous)**. Useful information on this will be found in our Material Data Sheets on the Internet (www.tdk-electronics.tdk.com/material). Should you have any more detailed questions, please contact our sales offices.
5. We constantly strive to improve our products. Consequently, **the products described in this publication may change from time to time**. The same is true of the corresponding product specifications. Please check therefore to what extent product descriptions and specifications contained in this publication are still applicable before or when you place an order.

We also **reserve the right to discontinue production and delivery of products**. Consequently, we cannot guarantee that all products named in this publication will always be available. The aforementioned does not apply in the case of individual agreements deviating from the foregoing for customer-specific products.

6. Unless otherwise agreed in individual contracts, **all orders are subject to our General Terms and Conditions of Supply**.
7. **Our manufacturing sites serving the automotive business apply the IATF 16949 standard**. The IATF certifications confirm our compliance with requirements regarding the quality management system in the automotive industry. Referring to customer requirements and customer specific requirements ("CSR") TDK always has and will continue to have the policy of respecting individual agreements. Even if IATF 16949 may appear to support the acceptance of unilateral requirements, we hereby like to emphasize that **only requirements mutually agreed upon can and will be implemented in our Quality Management System**. For clarification purposes we like to point out that obligations from IATF 16949 shall only become legally binding if individually agreed upon.

Important notes

8. The trade names EPCOS, CarXield, CeraCharge, CeraDiode, CeraLink, CeraPad, CeraPlas, CSMP, CTVS, DeltaCap, DigiSiMic, FilterCap, FormFit, InsuGate, LeaXield, MediPlas, MiniBlue, MiniCell, MKD, MKK, ModCap, MotorCap, PCC, PhaseCap, PhaseCube, PhaseMod, PhiCap, PowerHap, PQSine, PQvar, SIFERRIT, SIFI, SIKOREL, SilverCap, SIMDAD, SiMic, SIMID, SineFormer, SIOV, ThermoFuse, WindCap, XieldCap are **trademarks registered or pending** in Europe and in other countries. Further information will be found on the Internet at www.tdk-electronics.tdk.com/trademarks.

Release 2023-07