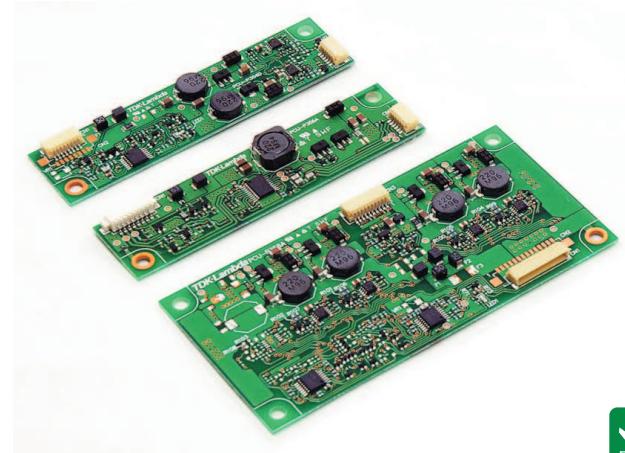


## LED Backlighting DC-DC Converters

### Features

- ◆ Two to Five Strings
- ◆ 12VDC Input
- ◆ Analog or Resistive Dimming
- ◆ Low Profile
- ◆ Off the shelf solution



### Key Market Segments & Applications



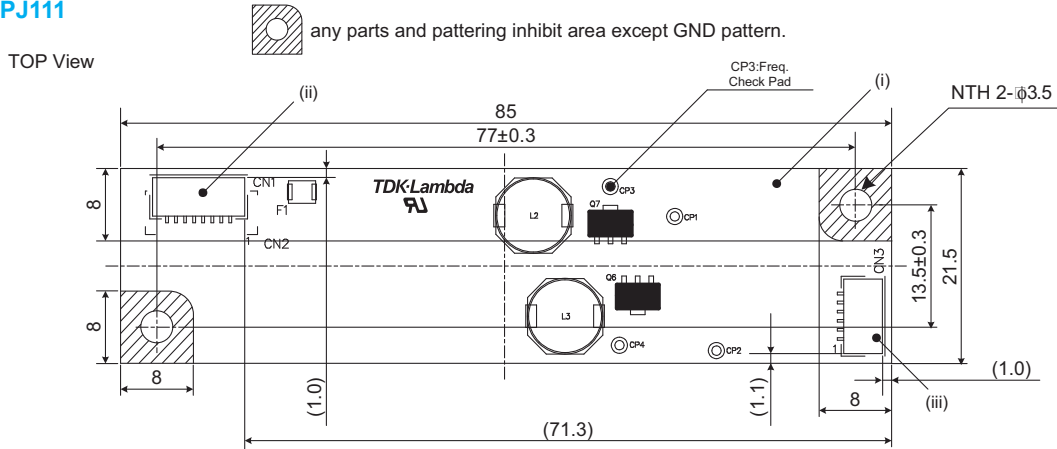
Specifications		ALD-214012PJ111	ALD-310012PJ125	ALD-414012PJ126	ALD-514012PJ134
Number of LED Strings	-	2	3	4	5
DC Input	VDC	10.8 - 13.2VDC			
Input Current Max.(norm./inhib.)	A	1.2 / 0.001A	1.5 / 0.001A	2.0 / 0.001A	2.5 / 0.001A
Output Current (each string)	mA	140mA	100mA	140mA	140mA
Dimming Frequency	Hz	200Hz	225Hz	200Hz	200Hz
Analog Dim. (Dark to Light) Vbr	VDC	2.5V to 0V	0V to 4V (Vbr2)	2.5V to 0V	2.5V to 0V
Analog Dim. (Dark to Light) Rbr	kΩ	50 - 0kΩ	0 - 10kΩ	50 - 0kΩ	50 - 0kΩ
PWM Dimming	VDC	2.5V to 0V	0 to 2.5V	2.5V to 0V	2.5V to 0V
Remote On/Off (Vrmt)	VDC	OFF: 0V - 0.4V, ON: 2.5V - Vin			
Maximum Output Voltage	VDC	44V	38V	44V	44V
Oversvoltage Alarm	VDC	Approximately 5V if any one string is open			
Operating Temperature	°C	-30 to +85°C			
Storage Temperature	°C	-40 to +85°C			
Maximum Humidity (1)	%RH	95%RH (Storage or Operating)			
Cooling	-	Convection			
Input to Output Isolation	-	None			
Vibration	-	588m/s <sup>2</sup> (60G) 11ms Half-sine wave once each axis X,Y,Z,-X,-Y,-Z total 6 times			
Shock	-	5~10Hz Amplitude 10mm 10~200Hz Accelerated Velocity 21.6m/s <sup>2</sup> (2.2G)			
Weight (Typ)	g	9g	9g	22g	22g
Size (LxWxH)	mm	85 x 21.5 x 5mm	85 x 21.5 x 5.5mm	100 x 50 x 5.2mm	100 x 50 x 5.2mm
Warranty	Yr	One Year			

Note: See Installation Manual for full details, test methods of parameters and application notes

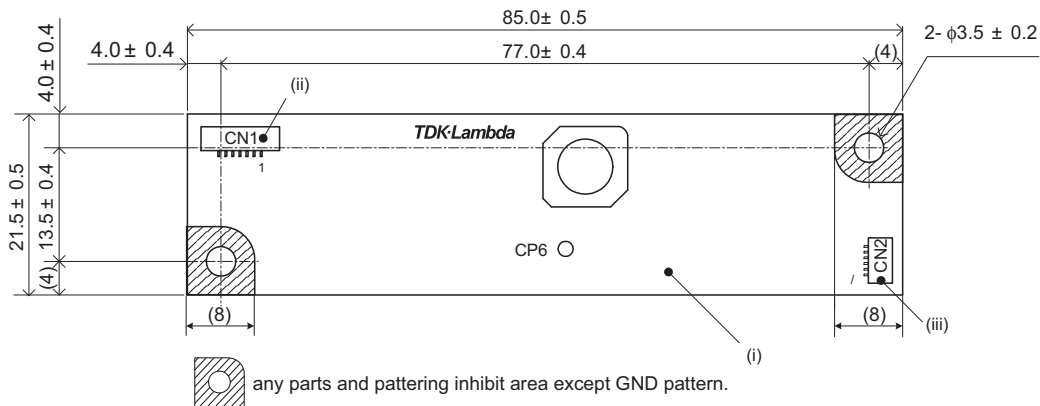
(1) non condensing

## Outline Drawing

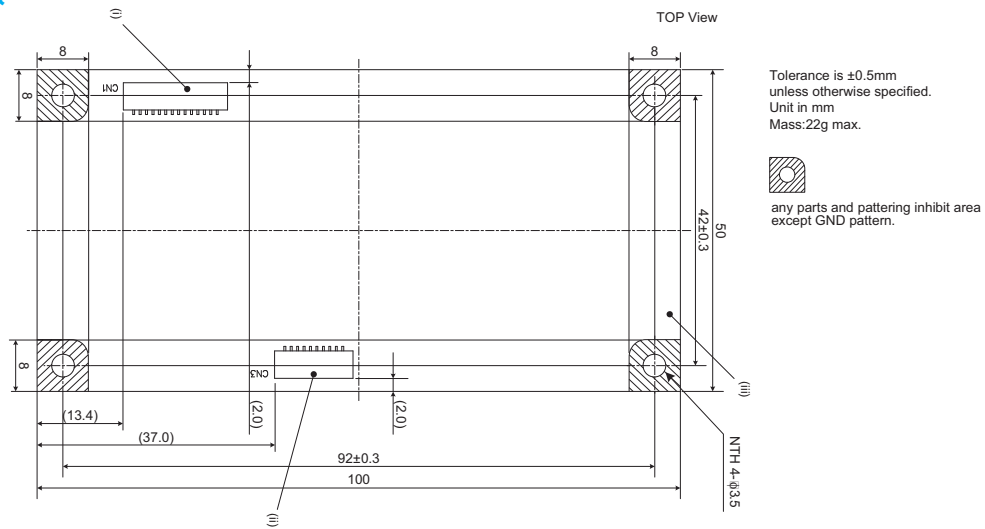
### ALD-214012PJ111



### ALD-310012PJ125



### ALD-414012PJ126 & ALD-514012PJ134



For Additional Information, please visit  
[us.tdk-lambda.com/lp/products/ald-series.htm](http://us.tdk-lambda.com/lp/products/ald-series.htm)



## X-ON Electronics

Largest Supplier of Electrical and Electronic Components

*Click to view similar products for [LED Power Supplies](#) category:*

*Click to view products by [TDK-Lambda](#) manufacturer:*

Other Similar products are found below :

[ESS015W-1000-12](#) [PDA-WIFI](#) [PIFC-K250F](#) [PITB-K222A](#) [ALD-514012PJ134](#) [LB240S24KH](#) [LMH020-SPLC-0000-0000001](#) [LMD600-0100-C1A7-7030000](#) [79534](#) [79535](#) [EUG-200S210DT](#) [ESS030W-1050-21](#) [ESS030W-0900-32](#) [BPOXL 4-12-035](#) [ESS010W-0350-24](#) [ESS010W-0200-42](#) [ESM060W-1400-42](#) [PDA080B-1A0G](#) [PDA150B-S1A5G](#) [SLM140W-1.05-130-ZA](#) [ESS015W-0700-18](#) [EUD-150S350DVA](#) [LWA320-C420-ARK-B](#) [HVG-240-48AB](#) [HVG-320-36AB](#) [HVG-320-54AB](#) [ELG-240-C1400AB](#) [EUK-150S105DV](#) [BXCS-12Z-N2P-B1-A](#) [BXPR-WN-01-A](#) [LN1224CV](#) [BXCS-12W-N2P-01-A](#) [HBG-160-24AB](#) [980100001200394](#) [980060001200376](#) [LC 14W 250-350MA FLEXC R ADV2](#) [LC 24W 500-600MA FLEXC R ADV2](#) [LC 36W 850-900MA FLEXC R ADV2](#) [LC 18W 24V ONE4ALL SC PRE](#) [LC 50W 200-350ML 170V FLEXC LP SNC4](#) [LC 25W 200-350ML 70V FLEXC LP SNC4](#) [LC 35W 200-350ML 121V FLEXC LP SNC4](#) [LCBI 10W 350MA PHASE-CUT/1-10V LP](#) [LC 13W 300MA FIXC C SNC](#) [LC 10W 250MA FIXC SC SNC2](#) [LC 35W 800MA FIXC SR ADV2](#) [LC 38W 900MA FIXC SR ADV2](#) [LC 34W 800MA FIXC SC ADV2](#) [LC 44W 1050MA FIXC SC ADV2](#) [LC 38W 900MA 42V FIXC SRL ADV2](#)