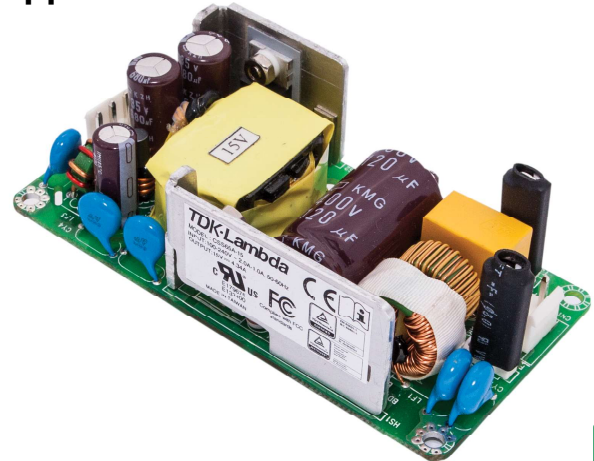


## 2 x 4" 40-65W AC-DC Medical & ITE Power Supplies

### Features

- ◆ Wide Range AC Input
- ◆ Low profile, Industry Standard Footprint
- ◆ Global Safety Agency Compliance
- ◆ Remote Sense
- ◆ Dual Input Fuses
- ◆ <75mW Off-Load Power Consumption
- ◆ Suitable for BF Rated Equipment



### Key Market Segments & Applications

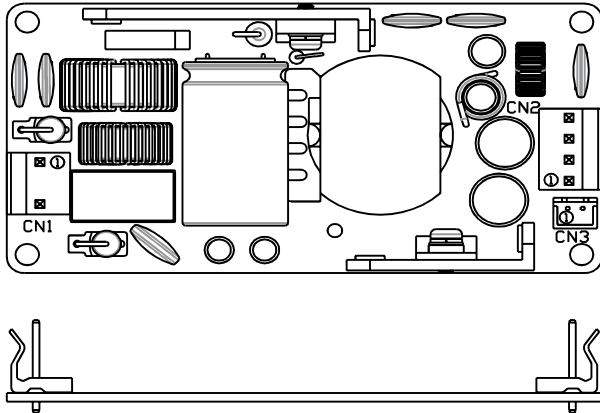


### Specifications

Model		CSS65
Input Voltage range	-	90 - 264VAC (47 - 63Hz)
Inrush Current (115/230VAC)	A	Less than 45A / 90A, 25°C ambient cold start
Input Current (115/230VAC)	A	2 / 1
Leakage Current	uA	<250uA 264VAC 63Hz
Touch Current	uA	<100uA 264VAC 63Hz
Off-Load Power Consumption	W	<75mW
Average Efficiency	%	5V: 86%, 12-54V: 89%
Temperature Coefficient	%/°C	±0.05%/°C
Output Voltage Accuracy	%	±1%
Output Adjustment Range	-	None
Remote Sense	-	Yes
Minimum Load	A	None
Output Regulation	%	5V: ±5%, 12-28V: ±3%, 48-54V: ±2%
Ripple & Noise	%	See Model Selector
Overcurrent Protection	-	110 - 180%, Auto-Recovery
Overvoltage Protection	V	110 - 130% of nominal (Cycle input power to reset)
Operating Temperature	°C	-20 to +70°C derate linearly to 50% load from 50 to 70°C
Storage Temperature	°C	-40 to +85°C
Humidity (non condensing)	%RH	10 - 90%RH
Cooling	-	Convection
Withstand Voltage	VAC	Input to Ground 1.5kVAC, Input to Output 4kVAC (Reinforced) (2 x MOPPS), Output to Ground 1.5kVAC (1xMOPPS).
Isolation Resistance	MΩ	>20MΩ at 25°C & 70%RH, Output to Ground 500VDC
Vibration (non operating)	-	23.52m/s <sup>2</sup> (10 - 55Hz: constant sweep 1 min X, Y, Z for 1 hour)
Shock	-	< 196.1 m/s <sup>2</sup> (20G)
Safety Agency Certification	-	UL/CSA/IEC/EN60601-1, ANSI/AAMI ES60601-1, UL/CSA/IEC/EN60950-1, UL/CSA/IEC/EN62368-1, CE Mark
Conducted & Radiated EMI Immunity	-	EN55011-B, FCC Class B EN60601-1-2, IEC61000-4
Altitude	m	Medical: 3,000m, ITE: 5,000m
Weight (Typ)	g	136g
Size (WxLxH)	in	2 x 4 x 1.2" (including underside components)
	mm	50.8 x 101.6 x 30.5 (including underside components)
Warranty	yrs	Three Years

## Outline Drawings

### Input/Output Connectors (Molex)



#### CN1: Input Connector

JST B3P-VH-B pitch: 3.96mm or equivalent, mates with JST VHR-3N or equivalent

Pin #	Signal
1	AC Neutral
2	AC Line

TKP P8800I P8800I-03 or Molex equivalent mates with MOLEX 5239 09-65-4034 or equivalent

Pin #	Signal
1	AC Line
2	AC Neutral

#### CN2: Main Output Connector

JST B4P-VH-B pitch: 3.96mm or equivalent, mates with JST VHR-4N or equivalent

Pin #	Signal
1	GND
2	GND
3	+Vo
4	+Vo

TKP P8800I P8800I-04 or Molex equivalent mates with MOLEX 5239 09-52-4044 or equivalent

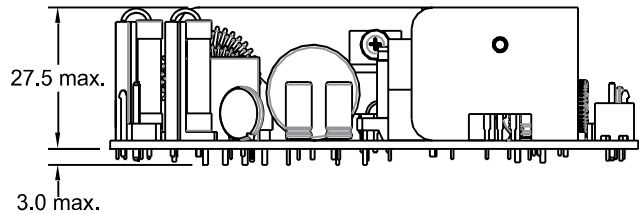
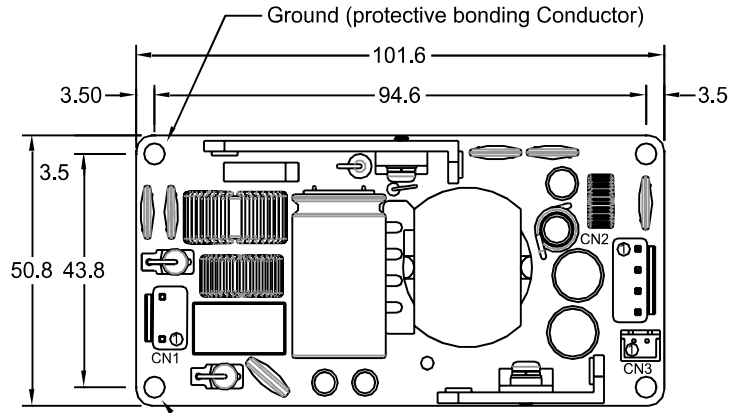
Pin #	Signal
1	+Vo
2	+Vo
3	GND
4	GND

#### CN3: Remote Sense Connector

JST B2B-XH-A pitch: 2.5mm or equivalent, mates with JST XHP-2 or equivalent

Pin #	Signal
1	+Vo Sense +
2	+Vo Sense -

### JST Input/Output Connectors shown (/J option)



## Model Selector

Model	Output (V)	Maximum Output (A)	Maximum Power (W)	Ripple and Noise Full Load (mV)	Ripple and Noise <30% Load (mV) (1)
CSS65A-5	5	8.0	40	100	200
CSS65A-12	12	5.42	65	120	200
CSS65A-15	15	4.34	65	120	300
CSS65A-19	19	3.43	65	120	300
CSS65A-24	24	2.71	65	200	300
CSS65A-28	28	2.33	65	200	350
CSS65A-48	48	1.36	65	200	480
CSS65A-54	54	1.21	65	200	480

Note:

(1) Ripple level increases at light loading to meet new efficiency standards

For Additional Information, please visit  
<https://product.tdk.com/en/power/>



## Options

Suffix	Description
Blank	Molex Input and Output Connectors
/J	JST Input and Output Connectors

## X-ON Electronics

Largest Supplier of Electrical and Electronic Components

*Click to view similar products for [Switching Power Supplies](#) category:*

*Click to view products by [TDK-Lambda](#) manufacturer:*

Other Similar products are found below :

[70841011](#) [73-551-0005](#) [73-551-0048](#) [PS3E-B12F](#) [PS3E-E12F](#) [AAD600S-4-OP](#) [R22095](#) [KD0204](#) [9021](#) [LDIN100150](#) [LPM000-BBAR-01](#)  
[LPX17S-C](#) [EVS57-10R6/R](#) [FP80](#) [FRV7000G](#) [22929](#) [PS3E-F12F](#) [CQM1IA121](#) [40370121900](#) [VI-PU22-EXX](#) [40370121910](#) [LDIN5075](#)  
[LPM615-CHAS](#) [LPX140-C](#) [09-160CFG](#) [70841025](#) [VPX3000-CBL-DC](#) [LPM000-BBAR-05](#) [LPM000-BBAR-08](#) [LPM124-OUTA1-48](#)  
[LPM000-BBAR-07](#) [LPM109-OUTA1-10](#) [LPM616-CHAS](#) [08-30466-1055G](#) [08-30466-2175G](#) [08-30466-2125G](#) [DMB-EWG](#) [TVQF-1219-](#)  
[18S](#) [6504-226-2101](#) [CQM1IPS01](#) [SP-300-5](#) [CQM1-IPS02](#) [VI-MUL-ES](#) [22829](#) [08-30466-0065G](#) [VI-RU031-EWWX](#) [08-30466-0028G](#) [VI-](#)  
[LUL-EU](#) [EP3000AC48INZ](#) [VP-C2104853](#)