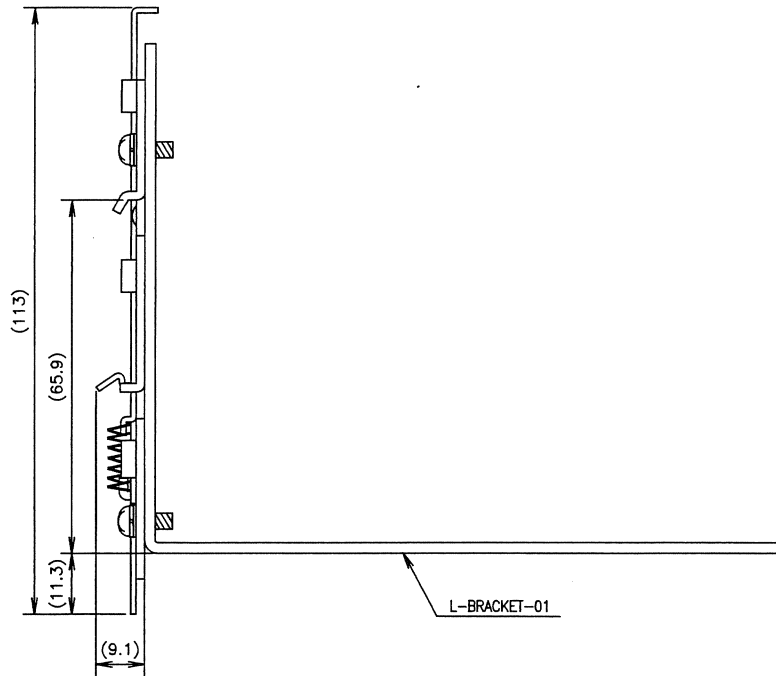
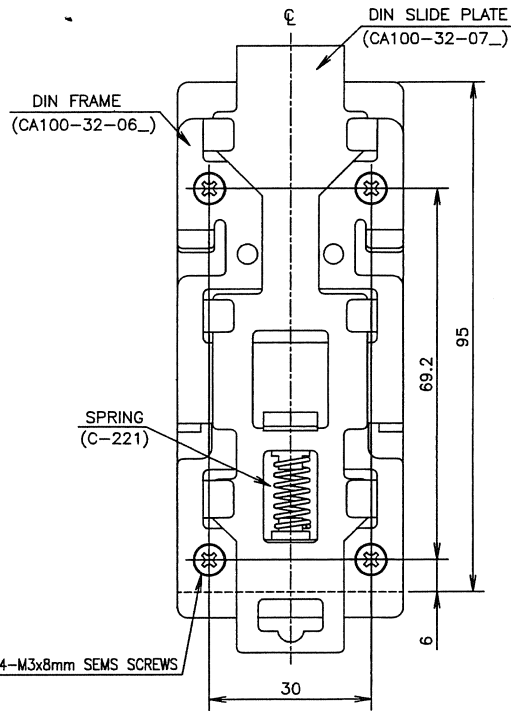
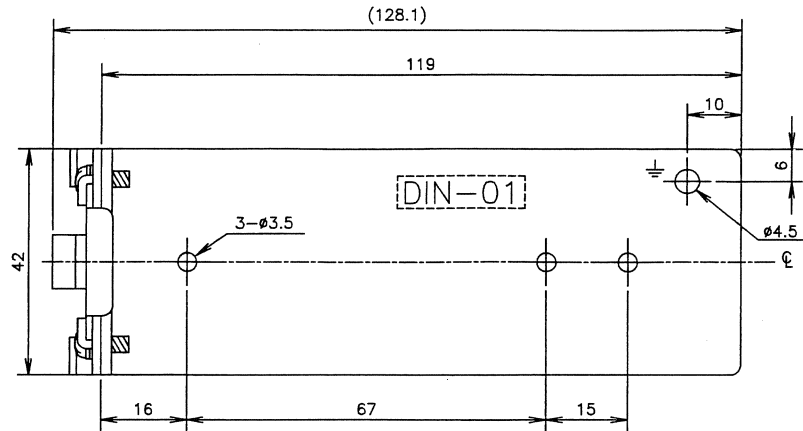


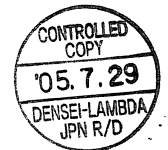
RoHS Compliance

REFER TO DL GROUP GREEN PROCUREMENT GUIDE LINE (DL-EMS-010_).



PARTS LIST

	PARTS LIST	CATALOG No.	NET	MANUFACTURE
1	DIN FRAME	CA100-32-06_ (ONWARD CA100-32-06C)	1	D-L
2	DIN SLIDE PLATE	CA100-32-07_ (ONWARD CA100-32-07C)	1	D-L
3	L-BRACKET-01	8000-3-667_	1	D-L
4	SPRING	C-221	1	KATO SPRING
5	SCREWS	M3x8mm SEMS	4	D-L



SCALE	1/1	MATERIALS	TITLE	DIN-01(HWS15/30)
UNITS	mm	SPCC-SD t=2.0		MOUNTING PLATE
		FINISH	DRAWING No.	8000-3-664 - <input type="checkbox"/>
3RD ANGLE PROJECTION			DENSEI-LAMBDA	

-	-1	NEW RELEASE	29/Jul/05	ts.kondo	Fukuda	Shige
D	REV	CONTENTS	DATE	ENGR	CHK	APPD

R:\engineering_control\other\8000\80003664.dwg

X-ON Electronics

Largest Supplier of Electrical and Electronic Components

Click to view similar products for [Wall Mount AC Adapters](#) category:

Click to view products by [TDK-Lambda](#) manufacturer:

Other Similar products are found below :

[ADP-163 E](#) [ADP-167 J](#) [ADP-168 K](#) [ADP-159 A](#) [ADP-165 G](#) [PSAC05A-050L6](#) [RLMDT361800](#) [P25A14E-R1C](#) [DA10-050CH](#) [DA5-050US-B](#) [DA10-050UK](#) [RLMDT701800](#) [WSU120-2000-R13](#) [WSU180-1330-13](#) [AC-DC ADAPTER 160W](#) [WSU120-2000-13](#) [WSU150-0800-13](#) [WSU075-3200-13](#) [WSU060-2000-R13](#) [WSU090-2500-13](#) [WSU050-2000-R13](#) [WSU240-1000-13](#) [WSU240-0500-R13](#) [WSU075-1500-13](#) [WSU050-3000-13](#) [WSU120-1500-13](#) [WSU120-1500-R13](#) [WSU045-1500-13](#) [WSU240-0750-13](#) [WSU090-2500-R13](#) [WSU240-1500-13](#) [WSU180-0660-13](#) [WSU075-1500-R13](#) [WSU090-1300-13](#) [WSU180-1330-R13](#) [BB-SMI1812VP230C1](#) [WSU050-1500-13](#) [WSU090-0800-13](#) [WSU120-0700-13](#) [WSU045-3000-13](#) [WSU180-0450-13](#) [WSU150-0560-R13](#) [WSU135-0880-13](#) [WSU120-3000-13](#) [WSU120-1000-R13](#) [WSU090-1300-R13](#) [WSU060-1250-R13](#) [WSU060-1250-13](#) [WSU045-2000-R13](#) [WSU045-1500-R13](#)