

RSEV SERIES

Compact Single-Phase EMC Filter That Offers Improved Wiring Workability

EMC filter



RSEV

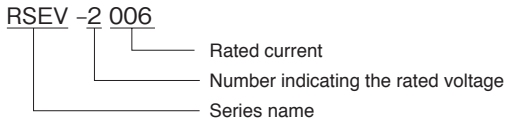
FEATURES

- Easy to install, all screws are self-up structure
- Terminal block screw and product cover are unified
- The attachment for DIN rail is available (optional accessory)
Part number: DIN-RSEV

SAFETY STANDARDS

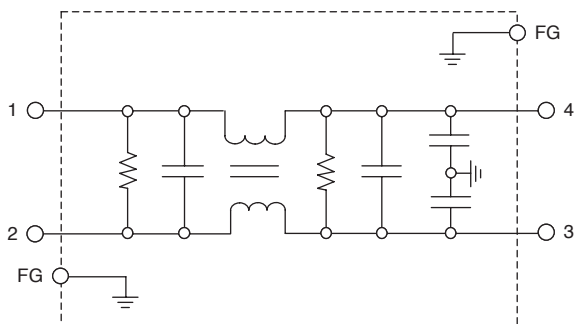
UL1283	UL File No. E62388
CSA C22.2 No.8 (cUL)	UL File No. E62388
EN60939-3 (ENEC15)	Licence No. ENEC-01674

PRODUCT IDENTIFICATION



CONFORMITY TO RoHS Directive

CIRCUIT DIAGRAM

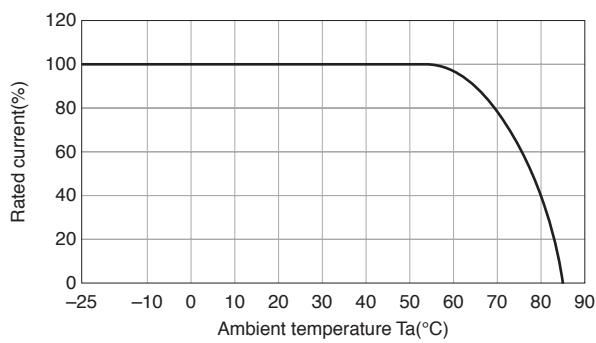


ELECTRICAL CHARACTERISTICS

Part No.	Rated voltage (AC/DC)	Rated current (AC/DC)	Withstand voltage	Insulation resistance	Leakage current	Operating temperature range	With derating over	DC resistance (mΩ)	Attenuation frequency range (MHz)		Weight (g)
									Common mode	Differential mode	
									at 25dB	at 25dB	
RSEV-2006	250V	6A	AC.2500V 60s [line - earth]	100MΩ min. [DC500V/ 1min]	1mA max. [250V/60Hz]	-25 to +85°C	+55°C	110 max.	0.1 to 30	0.2 to 30	150
RSEV-2010		10A						40 max.	0.2 to 30	0.2 to 30	150
RSEV-2016		16A						20 max.	0.6 to 30	0.3 to 30	150
RSEV-2020		20A						10 max.	0.8 to 30	0.4 to 30	150
RSEV-2030		30A						6 max.	2 to 30	0.5 to 30	150

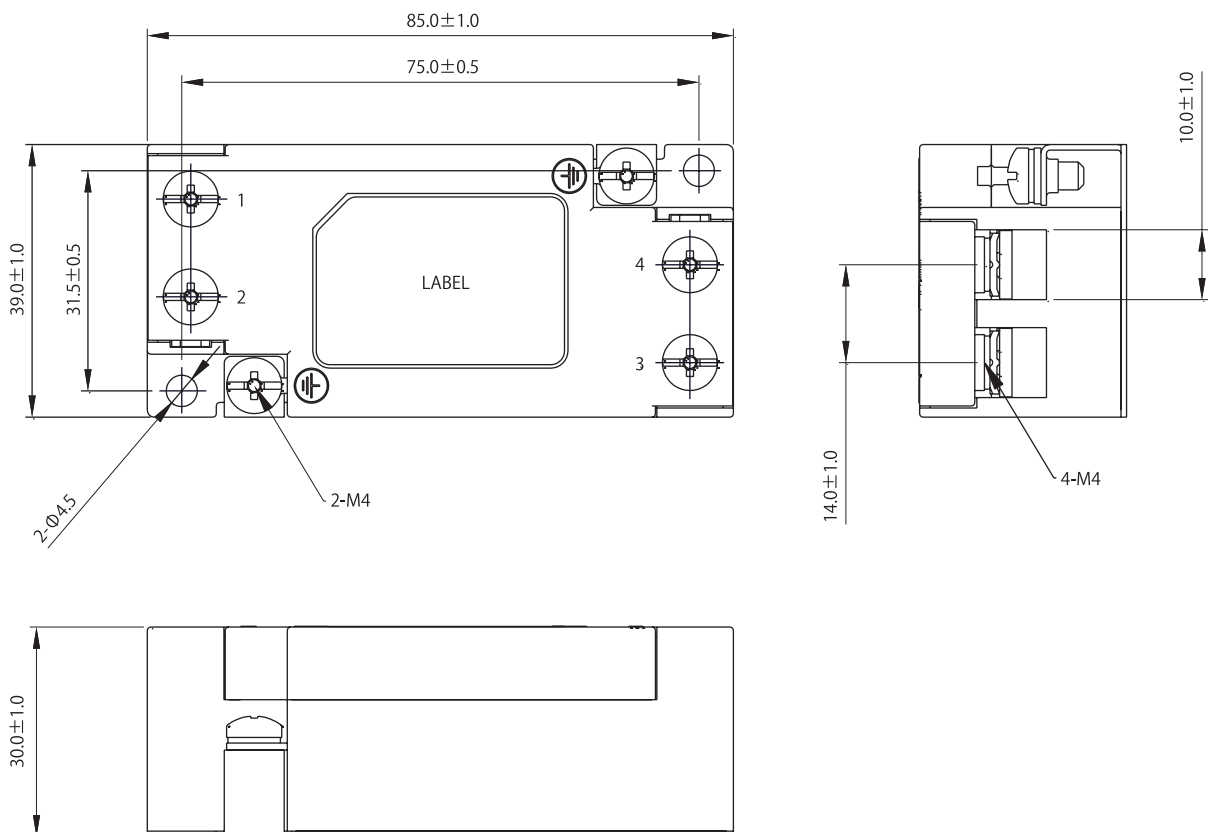
EMC filter

DERATING GRAPH



RSEV

MECHANICAL

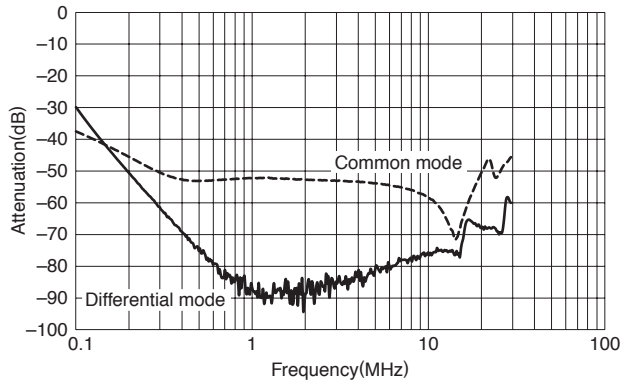


Dimensions in mm

• All specifications are subject to change without notice.

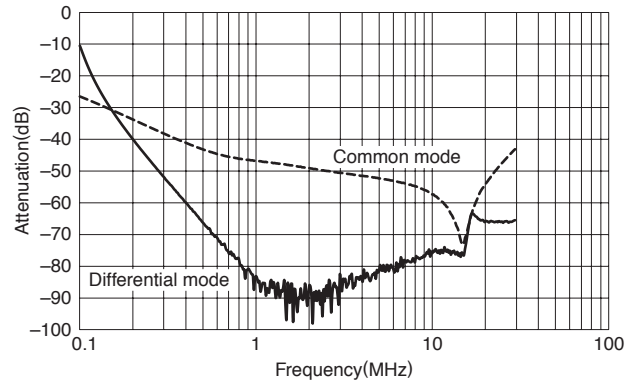
■ ATTENUATION vs. FREQUENCY CHARACTERISTICS

RSEV-2006

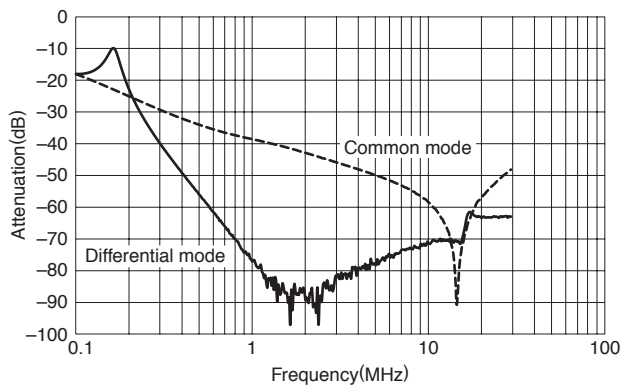


EMC filter

RSEV-2010

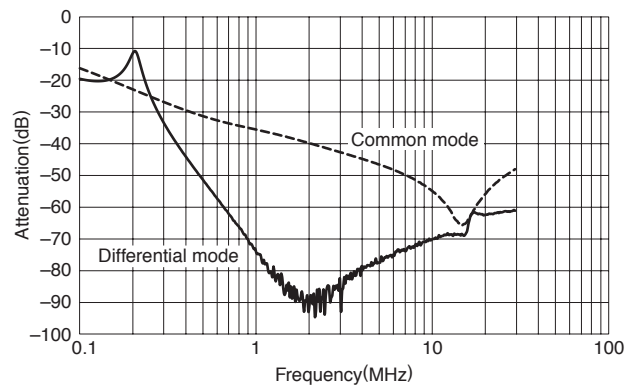


RSEV-2016

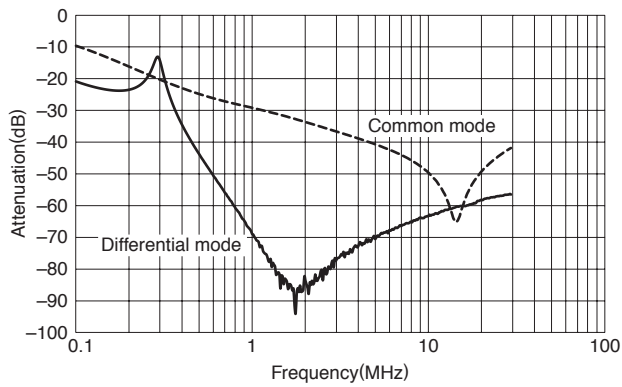


RSEV

RSEV-2020



RSEV-2030



X-ON Electronics

Largest Supplier of Electrical and Electronic Components

Click to view similar products for [Power Line Filters](#) category:

Click to view products by [TDK-Lambda](#) manufacturer:

Other Similar products are found below :

[6609019-3](#) [6609026-5](#) [6609030-6](#) [6609973-2](#) [D30A](#) [7-1609090-5](#) [F2810](#) [F4456A](#) [F7382Z](#) [F7863Z](#) [FAHAV3100ZC000](#) [806276](#) [FN2020B-1-06](#) [FN2080B-10-06](#) [FN2410H-32-33](#) [FN2410H-80-34](#) [FP144](#) [FS4153-20-06](#) [FS4353-500-99](#) [12-MMB-030-11-D](#) [DB4-393](#) [15811T200](#) [20B1](#) [LC630](#) [2B1](#) [1609080-2](#) [1609993-8](#) [1-6609070-1](#) [F1100AA02](#) [F1150CC10](#) [F1500CA10](#) [F1500CA15](#) [F4041Z](#) [F7585E](#) [1B1](#) [FN2070A-16-06](#) [FN2090A-20-06](#) [FN2090B-12-06](#) [FN2090Z-1-06](#) [FN2410H-25-33](#) [FN2410H-60-34](#) [FN2410H-8-44](#) [FN2412H-8-44](#) [FN323B-6-01](#) [FN3258H-130-35](#) [FN610R-3-06](#) [20EHQ7](#) [20EHZ7](#) [20K1](#) [30B6](#)