

## Power Supply Parallel or Redundancy Module

### Features

- ◆ OR-ing Diodes Included
- ◆ Alarm Signals
- ◆ LED Indicators
- ◆ DIN Rail Mounting
- ◆ Can connect two units in parallel
- ◆ Output voltage monitoring (via relays)

### Key Market Segments & Applications



Industrial



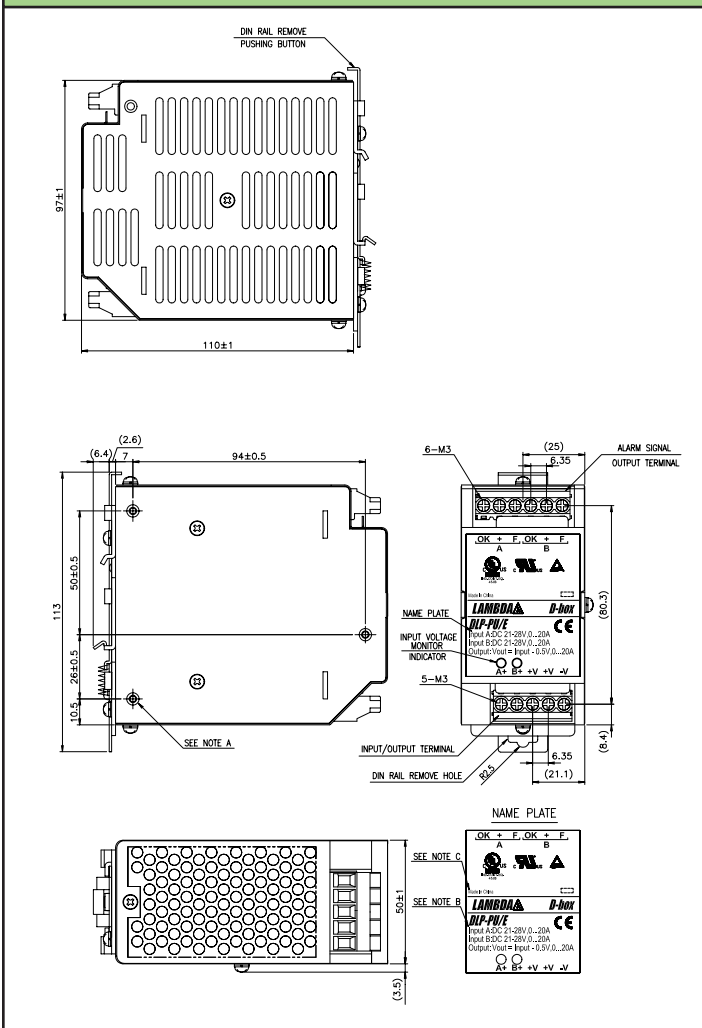
RoHS

### Specifications

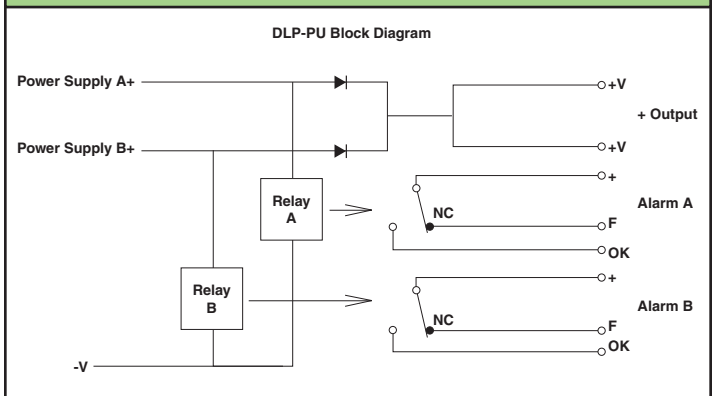
Model		DLP-PU/E
Input Voltage Range	VDC	21 - 28VDC
Number of inputs	-	Two
Maximum Input Current	A	20A per input
Maximum Output Current	A	20A
Overcurrent protection	-	None
Voltage Drop	VDC	0.5V
Maximum Reverse Voltage	VDC	35VDC
LED Indicators	-	Two green LEDs indicating each input is "good"
Input Voltage Alarm	-	Relay off when input is <19.2V (±1%) or > 30V (±5%). NO and NC contacts
Relay contact rating (max)	-	28VDC, 1A or 120VAC, 0.5A (5mA minimum recommended)
Cooling	-	Convection
Operating Temperature	-	-10 to +70°C, derate linearly to 60% from 60 to 70°C
Storage Temperature	-	-30 to +90°C
Humidity	-	Operating: 30 - 90%RH, Storage: 10 - 95%RH (non condensing)
Withstand Voltage	-	Input or Output - Chassis, Input or Output - Relay Contacts, Relay Contacts to Chassis; 500VAC for 1 min.
Isolation Resistance	-	Input or Output - Chassis, Input or Output - Relay Contacts, Relay Contacts to Chassis; >10M Ohms at 25°C, 70%RH and 500VDC
Vibration	-	Non operating, mounted on DIN Rail, 10-55Hz (sweep for 1 min), 9.8m/s <sup>2</sup> constant X, Y, Z each for 1 hour
Shock	-	196m/s <sup>2</sup>
Safety Agency Approval	-	UL60950-1, CSA60950-1, EN60950-1, UL508, CSA22.2 No.14, EN60529 IP20, EN50178 Cat 1
Size	mm/in	50 x 97 x 110mm, 1.97x 3.81 x 4.33"
Weight	g	470g
Warranty	yrs	Three Years

Note: See Installation Manual for full details, test methods of parameters and application notes

## Outline Drawings



## Block Diagram



## Other Industrial Products

DLP	75W to 240W power supplies
DPP/DSP	10W to 480W low cost power supplies
R Series	3A to 30A single & three phase EMI Filters

**Snap-on Mounting:** snap onto DIN Rail TS35/7.5 or TS35/15. (no tools required)

For Additional Information, please visit [us.tdk-lambda.com/lp/products/dlp-series.htm](http://us.tdk-lambda.com/lp/products/dlp-series.htm)



## X-ON Electronics

Largest Supplier of Electrical and Electronic Components

*Click to view similar products for [Discrete Semiconductor Modules](#) category:*

*Click to view products by [TDK-Lambda](#) manufacturer:*

Other Similar products are found below :

[M252511FV](#) [DD260N12K-A](#) [DD380N16A](#) [DD89N1600K-A](#) [APT2X21DC60J](#) [APT58M80J](#) [B522F-2-YEC](#) [MSTC90-16](#) [ND104N16K](#)  
[25.163.0653.1](#) [25.163.2453.0](#) [25.163.4253.0](#) [25.190.2053.0](#) [25.194.3453.0](#) [25.320.4853.1](#) [25.320.5253.1](#) [25.326.3253.1](#) [25.326.3553.1](#)  
[25.330.1653.1](#) [25.330.4753.1](#) [25.330.5253.1](#) [25.334.3253.1](#) [25.334.3353.1](#) [25.350.2053.0](#) [25.352.4753.1](#) [25.522.3253.0](#) [T483C](#) [T484C](#)  
[T485F](#) [T485H](#) [T512F-YEB](#) [T513F](#) [T514F](#) [T554](#) [T612FSE](#) [25.161.3453.0](#) [25.179.2253.0](#) [25.194.3253.0](#) [25.325.1253.1](#) [25.326.4253.1](#)  
[25.330.0953.1](#) [25.332.4353.1](#) [25.350.1653.0](#) [25.350.2453.0](#) [25.352.1453.0](#) [25.352.1653.0](#) [25.352.2453.0](#) [25.352.5453.1](#) [25.522.3353.0](#)  
[25.602.4053.0](#)