

- Standard SIP Footprint (DOSA)
- 6.0-14VDC Input
- 0.8 - 5.5V Outputs
- Through Hole Mounting
- Low 12.7mm Profile
- Non Isolated Output

## iBD Series

7A point of load converter

### iBD Features and Benefits

#### Features

- High operating efficiency (up to 92%)
- Constant 240kHz switching frequency
- Starts with pre-biased output

#### Benefits

- Reduced system heating
- Easier system filtering
- Supports complex digital systems

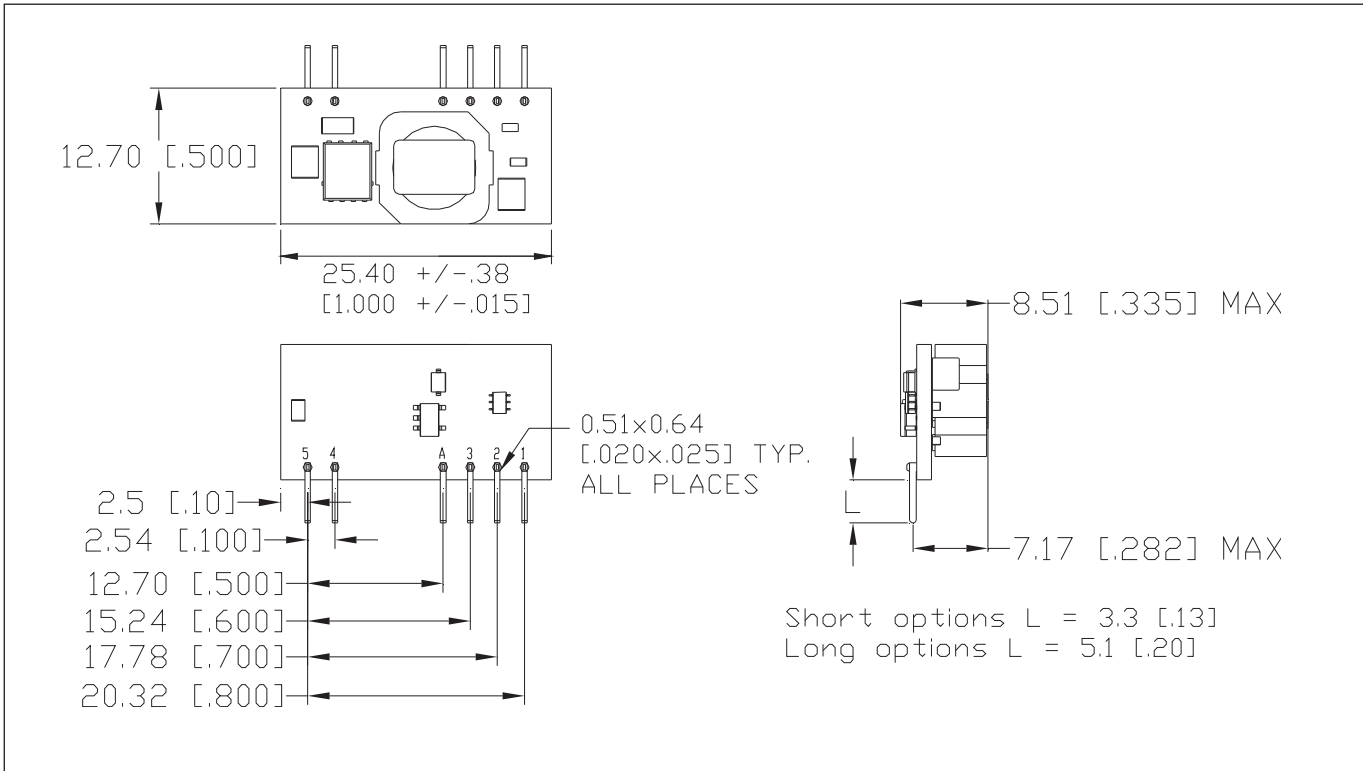
### Specifications

ITEMS	MODEL	iBD
Nominal Output Voltage	VDC	0.8 - 5.5V
Input Voltage Range	VDC	6 - 14V
Input Current (max)	A	7A
Output Voltage Tolerance	%	±3.5
Ripple & Noise (max) (pk - pk)	mV	125
Line Regulation (max)	%	0.2%
Load Regulation (typical)	mV	20
Overload Protection	A	Inception- 11.5A; Short circuit - auto recovery
Overvoltage Protection	-	N/A
Remote Sense	-	Yes
Remote On / Off	-	Positive Logic standard. Negative logic available, see detailed datasheet
Sequencing	-	Yes
Temperature (operating)	°C	-40 to 105 (See detailed datasheet for derating)
Temperature (storage)	°C	-55 to 125
Humidity (operating)	%RH	20-95 Non condensing
Humidity (storage)	%RH	10-95 Non condensing
Cooling	-	Convection or forced air (See detailed datasheet for derating)
Isolation Voltage	-	None
Vibration (non operating)	-	5 to 50Hz@0.5g(4.9m/s <sup>2</sup> ), & 50 to 500Hz@1.5g(14.7m/s <sup>2</sup> ) per Bellcore TR-EOP-000063-5.4.4
Shock	-	196.1m/s <sup>2</sup>
Safety Agency Certifications	-	Pending - UL60950 (US and Canada), VDE0805 (IEC60950), CB scheme (IEC60950)
Weight (max)	g	6
Size (LxWxH)	mm	25.4 x 8.51 x 12.7
Warranty	yrs	3 Years

**Model Selector**

Model	Output Voltage	Output Adjust	Output Curr. (A)	Max. Output Power (W)	Efficiency at Full Load (%)
iBD12007A008V-000-R	0.80 - 5.5	0.80 - 5.5	7	35	92% at 5V

**Outline Drawing iBD**



**Pinout**

PIN	Function
1	Vout
2	Trim
3	GND
A	Sequencing
4	Vin
5	On / Off

**TDK-LAMBDA EMEA**

[www.emea.tdk-lambda.com](http://www.emea.tdk-lambda.com)



**TDK-Lambda France SAS**

Route de Grivery  
ZAC des Delaches  
CS 41077  
91978 Courtaboeuf Cedex  
France  
Tel: +33 1 60 12 71 65  
Fax: +33 1 60 12 71 66  
[france@fr.tdk-lambda.com](mailto:france@fr.tdk-lambda.com)  
[www.fr.tdk-lambda.com](http://www.fr.tdk-lambda.com)



**Italy Sales Office**

Via dei Lavoratori 128/130  
20092 Cinisello Balsamo (MI)  
Italy  
Tel: +39 02 61 29 38 63  
Fax: +39 02 61 29 09 00  
[info.italia@it.tdk-lambda.com](mailto:info.italia@it.tdk-lambda.com)  
[www.it.tdk-lambda.com](http://www.it.tdk-lambda.com)



**TDK-Lambda Germany GmbH**

Karl-Bold-Strasse 40  
77855 Achern  
Germany  
Tel: +49 7841 666 0  
Fax: +49 7841 5000  
[info.germany@de.tdk-lambda.com](mailto:info.germany@de.tdk-lambda.com)  
[www.de.tdk-lambda.com](http://www.de.tdk-lambda.com)



**Austria Sales Office**

Aredstrasse 22  
2544 Leobersdorf  
Austria  
Tel: +43 2256 655 84  
Fax: +43 2256 645 12  
[info.germany@de.tdk-lambda.com](mailto:info.germany@de.tdk-lambda.com)  
[www.de.tdk-lambda.com](http://www.de.tdk-lambda.com)



**TDK-Lambda UK Ltd.**

Kingsley Avenue  
Ilfracombe  
Devon EX34 8ES  
United Kingdom  
Tel: +44 (0) 12 71 85 66 66  
Fax: +44 (0) 12 71 86 48 94  
[powersolutions@uk.tdk-lambda.com](mailto:powersolutions@uk.tdk-lambda.com)  
[www.uk.tdk-lambda.com](http://www.uk.tdk-lambda.com)



**Nemic Lambda Ltd.**

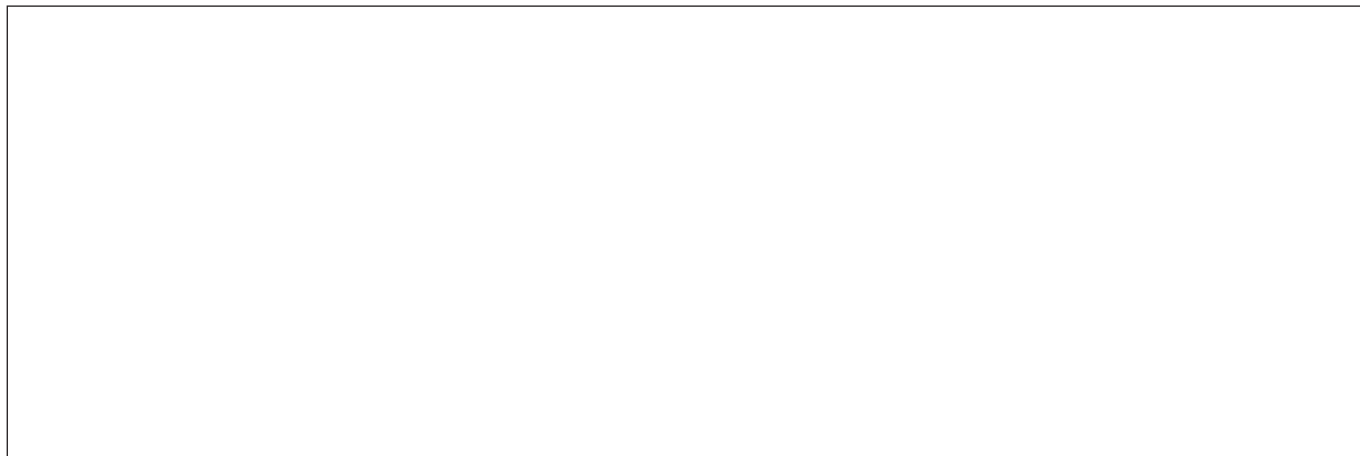
Kibbutz  
Givat Hashlosha 48800  
Israel  
Tel: +9 723 902 4333  
Fax: +9 723 902 4777  
[info@nemic.co.il](mailto:info@nemic.co.il)  
[www.nemic.co.il](http://www.nemic.co.il)



**Russia**

Technical Support:  
St Petersburg  
Tel: +7 (812) 6580463  
Sales:  
Moscow  
Tel: +7 (499) 7557732  
[info@tdk-lambda.ru](mailto:info@tdk-lambda.ru)  
[www.tdk-lambda.ru](http://www.tdk-lambda.ru)

**LOCAL DISTRIBUTION**



## X-ON Electronics

Largest Supplier of Electrical and Electronic Components

*Click to view similar products for [Non-Isolated DC/DC Converters](#) category:*

*Click to view products by [TDK-Lambda](#) manufacturer:*

Other Similar products are found below :

[PSR152.5-7IR](#) [APTH003A0X-SRZ](#) [SPM1004-3V3C](#) [R-785.0-05](#) [10E24-P15-10PPM](#) [1E24-P4-25PPM-SHV-5KV](#) [PROPOWER-3.3V](#)  
[MYGTM01210BZN](#) [40C24-N250-I5-H](#) [40A24-P30-E](#) [3V12-P0.8](#) [10C24-N250-I10-AQ-DA](#) [4AA24-P20-M-H](#) [3V12-N0.8](#) [3V24-P1](#) [3V24-](#)  
[N1](#) [BMR4672010/001](#) [BMR4652010/001](#) [6AA24-P30-I5-M](#) [6AA24-N30-I5-M](#) [BM2P101X-Z](#) [35A24-P30](#) [2.5M24-P1](#) [PTV03010WAD](#)  
[PTV05020WAH](#) [PTV12010LAH](#) [PTV12020WAD](#) [R-7212D](#) [R-7212P](#) [R-78AA15-0.5SMD](#) [R-78AA5.0-1.0SMD](#) [30A24-N15-E](#) [10A12-P4-](#)  
[M](#) [10C24-N250-I5](#) [10C24-P125](#) [10C24-P250-I5](#) [6A24-P20-I10-F-M-25PPM](#) [1A24-P30-F-M-C](#) [TSR 1-24150SM](#) [1/2AA24-N30-I10](#) [1C24-](#)  
[N125](#) [12C24-N250](#) [V7806-1500](#) [PTV12020LAH](#) [PTV05010WAH](#) [PTN04050CAZT](#) [PTH12020WAD](#) [PTH12020LAS](#) [PTH05050YAH](#)  
[PTH05T210WAH](#)