

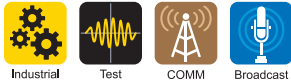
## 33W, 6A Non-isolated SMT Point Of Load

### Features

- ◆ DOSA Compatible Footprint
- ◆ Surface Mountable
- ◆ Constant Switching Frequency
- ◆ Edge Plated Castellations (EPC)
  - Inspectable Solder Joints
- ◆ No external loop tuning components needed
- ◆ Excellent Transient Response



### Key Market Segments & Applications



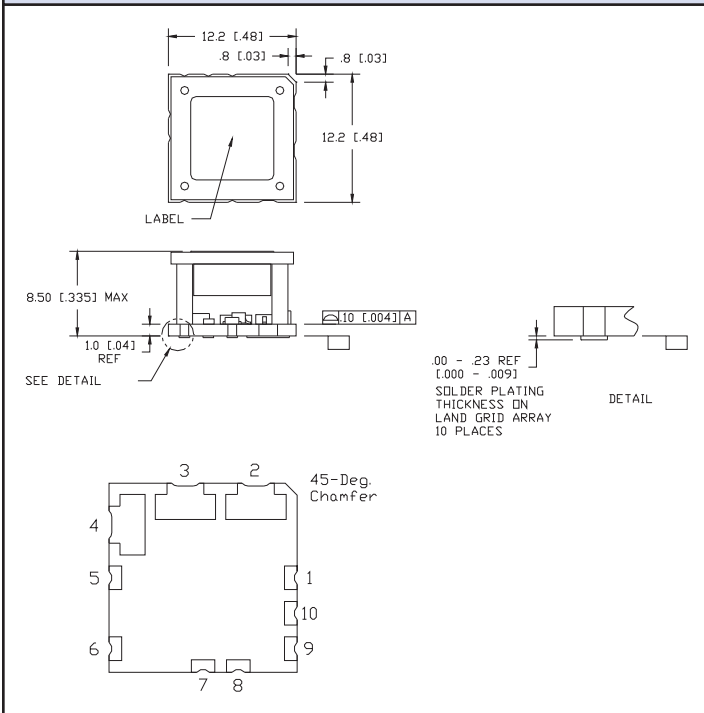
Specifications			
Model		iCG05	iCG12
DC Output Voltage	V	0.6 - 3.63	0.7 - 5.5
DC Input Voltage	V	2.4 - 5.5	4.5 - 14
Efficiency	%	84 - 93	84 - 94
Output Voltage Tolerance	%		±3
Switching Frequency	kHz		600
Line Regulation	mV	3	3
Load Regulation	mV	6	6
External Load Capacitance	uF		47 - 1000
Output Ripple and Noise	mVpp	15	15
Overcurrent Protection	A	Hiccup Type	
Remote On / Off	-	Negative Logic (For Positive Logic Contact Factory)	
Remote Sense	-	(+ ) Sense, compensating up to 0.5V	
Power Good	-	Not available	Yes, Low on fail
Operating Temp	°C	-40 to 115 (see thermal data on website)	
Storage Temperature	°C	-55 to 125	
Safety Agency Approvals	-	IEC/UL/CSA/EN62368-1, 60950-1, CE Mark	
Weight	g / oz	3g / 0.106 oz	
Size (LxWxH)	mm / in.	12.2 x 12.2 x 8.5 / 0.48 x 0.48 x 0.335	
Warranty	yrs	3 years	

## Model Selector

Model	Input Voltage (V)	Output Current (A)	Output Voltage (V)	Positive Logic On/Off	Negative Logic On/Off	Sequencing	Solder Bumping
iCG05006A006V-001-R	2.4 - 5.5	6	0.60 - 3.63	-	X	X	EPC
iCG05006A006V-003-R	2.4 - 5.5	6	0.60 - 3.63	-	X	-	EPC
iCG05006A006V-006-R	2.4 - 5.5	6	0.60 - 3.63	X	-	-	LGA
iCG05006A006V-007-R	2.4 - 5.5	6	0.60 - 3.63	-	X	-	LGA
iCG12006A007V-001-R	4.5 - 14	6	0.70 - 5.5	-	X	X	EPC
iCG12006A007V-003-R	4.5 - 14	6	0.70 - 5.5	-	X	-	EPC
iCG12006A007V-006-R	4.5 - 14	6	0.70 - 5.5	X	-	-	LGA
iCG12006A007V-007-R	4.5 - 14	6	0.70 - 5.5	-	X	-	LGA

## Preferred Model

## Outline Drawing



## Pinout

PIN	Function	PIN	Function
1	ON / OFF	6	TRIM
2	VIN	7	GND
3	GND	8	no connection
4	VOUT	9	reserved
5	SENSE	10	PWR GOOD

## Other Industrial Products

CC-E	1.5 - 30W 5, 12, 24 or 48V input isolated DC-DC converters
PX	10 - 60W 12, 24 or 48V input isolated DC-DC converters
iAF, iBF, iCF	3 - 20A DOSA2 non isolated DC-DC converters

For Additional Information, please visit  
<https://product.tdk.com/en/power/>



## X-ON Electronics

Largest Supplier of Electrical and Electronic Components

*Click to view similar products for [Non-Isolated DC/DC Converters](#) category:*

*Click to view products by [TDK-Lambda](#) manufacturer:*

Other Similar products are found below :

[PSR152.5-7IR](#) [APTH003A0X-SRZ](#) [SPM1004-3V3C](#) [R-785.0-05](#) [10E24-P15-10PPM](#) [1E24-P4-25PPM-SHV-5KV](#) [PROPOWER-3.3V](#)  
[MYGTM01210BZN](#) [40C24-N250-I5-H](#) [40A24-P30-E](#) [3V12-P0.8](#) [10C24-N250-I10-AQ-DA](#) [4AA24-P20-M-H](#) [3V12-N0.8](#) [3V24-P1](#) [3V24-](#)  
[N1](#) [BMR4672010/001](#) [BMR4652010/001](#) [6AA24-P30-I5-M](#) [6AA24-N30-I5-M](#) [BM2P101X-Z](#) [35A24-P30](#) [2.5M24-P1](#) [PTV03010WAD](#)  
[PTV05020WAH](#) [PTV12010LAH](#) [PTV12020WAD](#) [R-7212D](#) [R-7212P](#) [R-78AA15-0.5SMD](#) [R-78AA5.0-1.0SMD](#) [30A24-N15-E](#) [10A12-P4-](#)  
[M](#) [10C24-N250-I5](#) [10C24-P125](#) [10C24-P250-I5](#) [6A24-P20-I10-F-M-25PPM](#) [1A24-P30-F-M-C](#) [TSR 1-24150SM](#) [1/2AA24-N30-I10](#) [1C24-](#)  
[N125](#) [12C24-N250](#) [V7806-1500](#) [PTV12020LAH](#) [PTV05010WAH](#) [PTN04050CAZT](#) [PTH12020WAD](#) [PTH12020LAS](#) [PTH05050YAH](#)  
[PTH05T210WAH](#)