

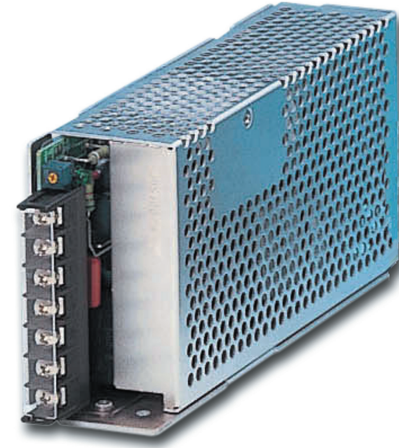
Triple Output Industrial Power Supplies

Features

- ◆ 5 Year Warranty
- ◆ Power factor Corrected
- ◆ Approved to VDE0160 Machinery Directive
- ◆ Universal Input (85 - 265VAC)
- ◆ Level B EMI

Key Market Segments & Applications

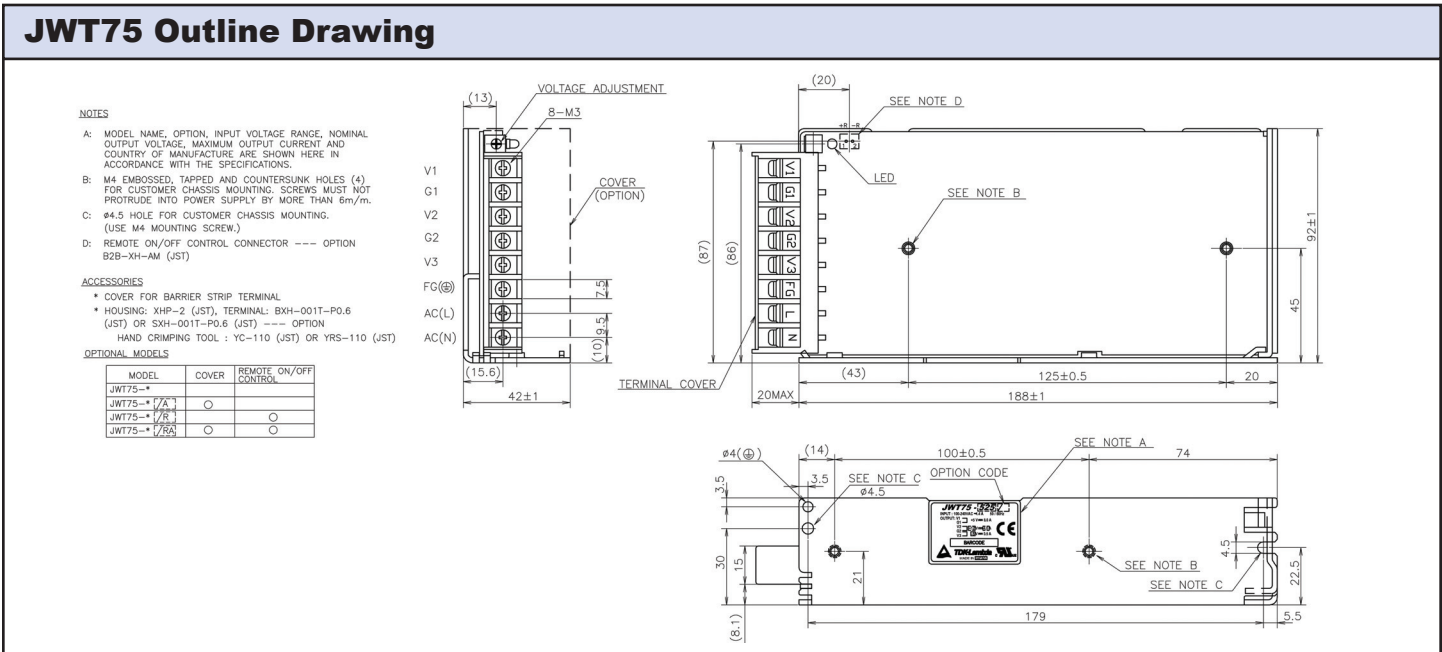
- ◆ Factory Automation Process Control, NC-Machining, Automotive, Packaging Equipment, Materials Handling, Chemical Processing, Robots
- ◆ Test & Measurement Burn-in & Test, Automated Test, Instrumentation, Measurement, Detection



Not recommended for new designs - see CUT series

| Specifications | | JWT75 | JWT100 |
|---------------------------|----|---|---------------|
| Model | | JWT75 | JWT100 |
| Max Output Power | W | 75 | 100 |
| Efficiency (Typ) | % | 72 | |
| Input Voltage range | - | 85 - 265VAC (47 - 63Hz) or 120 - 330VDC | |
| Input Current Typ | A | 1.2 / 0.6 | 1.4 / 0.7 |
| Inrush Current | A | 14A at 100VAC, 28A at 200VAC input | |
| Power Factor | - | Meets EN61000-3-2 | |
| Output Voltage Accuracy | - | V1 variable, V2 & V3 +/-5% | |
| Temperature Coefficient | - | V1 & V2 <0.02%/°C, V3 <0.03%/°C | |
| Overcurrent Protection | - | >105% | |
| Overvoltage Protection | V | Main output only: 5.7 - 7V | |
| Hold Up Time (Typ) | ms | 20 | |
| Leakage Current | - | 0.75mA Max, 0.44mA typical at 230VAC | |
| Operating Temperature | - | -10°C to +65°C, derate linearly to 50% load from 50°C to 65°C -10°C to +50°C, derate linearly to 60% load from 40°C to 50°C with cover | |
| Storage Temperature | - | -30 to +85°C | |
| Humidity | - | 30 - 90% RH (operating), 10 - 95% RH (non operating) | |
| Cooling | - | Convection | |
| Withstand Voltage | - | Input to Ground 2kVAC (20mA), Input to Output 3kVAC (20mA), Output to Ground 500VAC (100mA) for 1 min. | |
| Isolation Resistance | - | >100M at 25°C & 70%RH, Output to Ground 500VDC | |
| Vibration (non operating) | - | 10 - 55Hz (1 minute sweep), 2G constant X, Y, Z 1 hour | |
| Shock | - | <20G | |
| Safety Agency Approvals | - | IEC/UL/CSA/EN62368-1, 60950-1, CE Mark | |
| Conducted & Radiated EMI | - | EN55011 / EN55022-B, FCC Class B, VCCI-B | |
| Recommended EMI Filter | - | RSEL-2002W | |
| Weight (Typ) | g | 600 | 720 |
| Size (WxHxD) | mm | 42 x 92 x 188 | 48 x 92 x 203 |
| Warranty | - | Five Years | |

| Model Selector | | | | | | | | | |
|----------------|--------|---------|---------------|-----------------|-----------------|---------------|---------------|-------------------|--|
| Model | Output | Voltage | Adjust. Range | Min Current (A) | Max Current (A) | Load Reg (mV) | Line Reg (mV) | Ripple Noise (mV) | |
| JWT75-522/A | V1 | +5V | 5 - 5.25 | 0.8 | 8 | 40 | 20 | 120 | |
| | V2 | +12V | - | 0 | 4 | 100 | 48 | 150 | |
| | V3 | -12V | - | 0 | 0.5 | 150 | 48 | 150 | |
| JWT75-5FF/A | V1 | +5V | 5 - 5.25 | 0.8 | 8 | 40 | 20 | 120 | |
| | V2 | +15V | - | 0 | 3.2 | 120 | 60 | 150 | |
| | V3 | -15V | - | 0 | 0.5 | 150 | 60 | 150 | |
| JWT75-525/A | V1 | +5V | 5 - 5.25 | 0.8 | 8 | 40 | 20 | 120 | |
| | V2 | +12V | - | 0 | 4 | 100 | 48 | 150 | |
| | V3 | -5V | - | 0 | 0.5 | 100 | 20 | 150 | |
| JWT100-522/A | V1 | +5V | 5 - 5.25 | 1.3 | 13 | 40 | 20 | 120 | |
| | V2 | +12V | - | 0 | 5.5 | 100 | 48 | 150 | |
| | V3 | -12V | - | 0 | 1 | 150 | 48 | 150 | |
| JWT100-5FF/A | V1 | +5V | 5 - 5.25 | 1.3 | 13 | 40 | 20 | 120 | |
| | V2 | +15V | - | 0 | 4.5 | 120 | 60 | 150 | |
| | V3 | -15V | - | 0 | 1 | 150 | 60 | 150 | |
| JWT100-525/A | V1 | +5V | 5 - 5.25 | 1.3 | 13 | 40 | 20 | 120 | |
| | V2 | +12V | - | 0 | 5.5 | 100 | 48 | 150 | |
| | V3 | -5V | - | 0 | 1 | 100 | 20 | 150 | |



Options

| Suffix | Description |
|--------|---|
| Blank | Screw terminals, no cover |
| /A | Screw terminals, cover (Standard US stock item) |
| /B* | Molex terminals, no cover |
| /C* | Molex terminals, cover |
| /R | Remote On / Off |

* Obsolete effective May 1st, 2020

Example JWT75-525/RA

Dimensions Table

| | Height (H) | Width (W) | Depth (D) |
|--------|------------|-----------|-----------|
| JWT75 | 1.65 | 3.62 | 7.40 |
| JWT100 | 1.89 | 3.62 | 7.99 |

For additional information, please visit <https://product.tdk.com/en/power/>



Not recommended for new designs - see CUT series

X-ON Electronics

Largest Supplier of Electrical and Electronic Components

Click to view similar products for [Switching Power Supplies](#) category:

Click to view products by [TDK-Lambda](#) manufacturer:

Other Similar products are found below :

[70841011](#) [73-551-0005](#) [73-551-0048](#) [PS3E-B12F](#) [PS3E-E12F](#) [AAD600S-4-OP](#) [R22095](#) [KD0204](#) [9021](#) [LDIN100150](#) [LPM000-BBAR-01](#)
[LPX17S-C](#) [EVS57-10R6/R](#) [FP80](#) [FRV7000G](#) [22929](#) [PS3E-F12F](#) [CQM1IA121](#) [40370121900](#) [VI-PU22-EXX](#) [40370121910](#) [LDIN5075](#)
[LPM615-CHAS](#) [LPX140-C](#) [09-160CFG](#) [70841025](#) [VPX3000-CBL-DC](#) [LPM000-BBAR-05](#) [LPM000-BBAR-08](#) [LPM124-OUTA1-48](#)
[LPM000-BBAR-07](#) [LPM109-OUTA1-10](#) [LPM616-CHAS](#) [08-30466-1055G](#) [08-30466-2175G](#) [08-30466-2125G](#) [DMB-EWG](#) [TVQF-1219-](#)
[18S](#) [6504-226-2101](#) [CQM1IPS01](#) [SP-300-5](#) [CQM1-IPS02](#) [VI-MUL-ES](#) [22829](#) [08-30466-0065G](#) [VI-RU031-EWWX](#) [08-30466-0028G](#) [VI-](#)
[LUL-EU](#) [EP3000AC48INZ](#) [VP-C2104853](#)