

3000W, 360VDC Output Front End

Features

- ◆ Fully enclosed
- ◆ High Efficiency
- ◆ Current share Capable
- ◆ Power Factor Corrected



Key Market Segments & Applications



Industrial

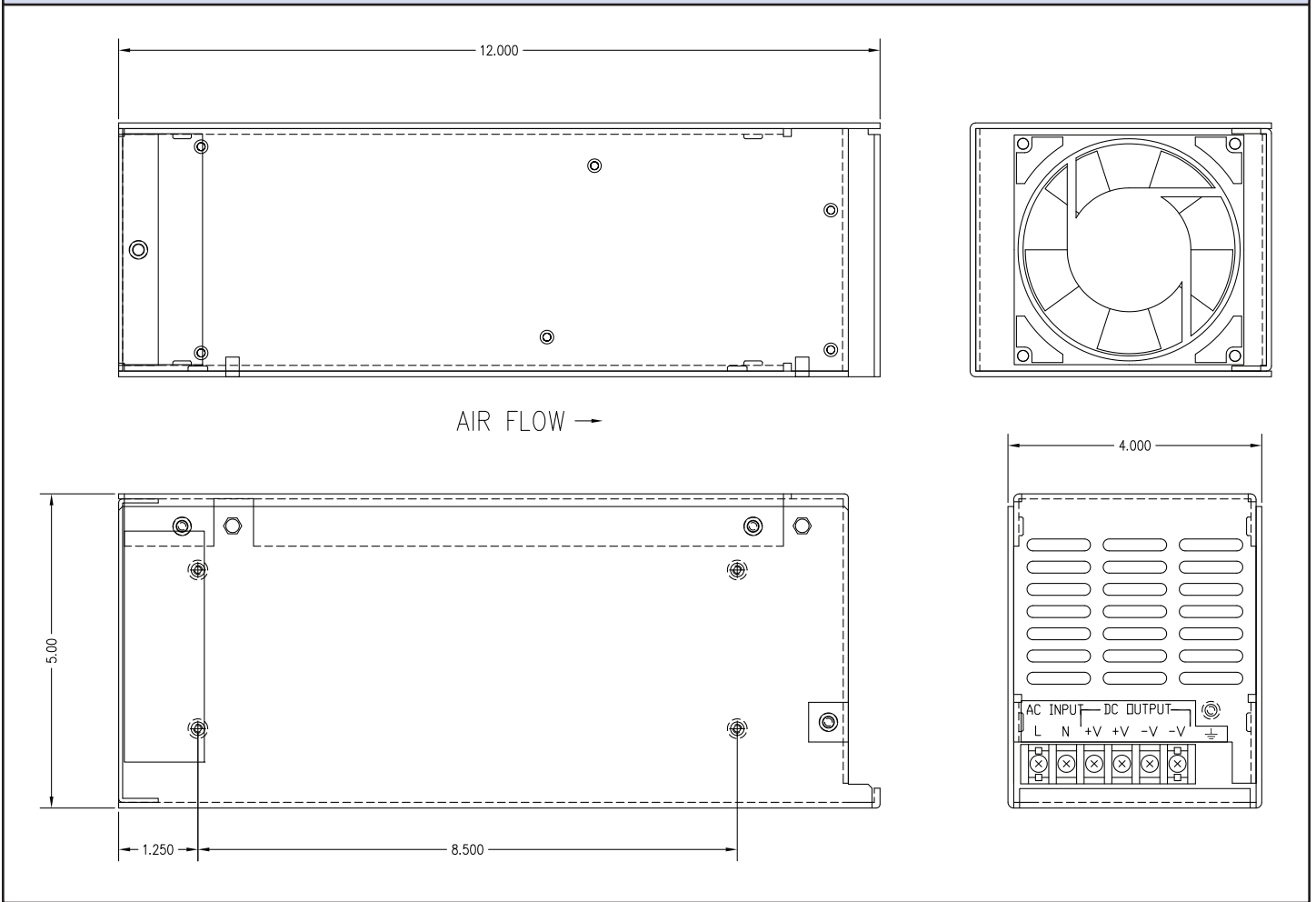


RoHS

Specifications

Model		VA-26519
AC Input Voltage & Frequency	VAC	190-265VAC (90-135VAC at 1600W)
Input Frequency	-	47 - 63Hz
Output Voltage	VDC	360V
Output Power	W	3000W
Load Regulation	-	11V
Line Regulation	-	11V
Ripple & Noise	V	30V Peak to peak
Inrush Protection	A	<70A
Efficiency (typ) at full load	%	90%
Power Factor	-	>0.95
Overcurrent Protection	-	Converter shutdown, automatic restart
Overvoltage Protection	V	390 - 400VDC, manual reset
Thermal Shutdown	-	Shutdown inverter, manual reset
Inverter Good Signal	-	Yes
Enable Signal	-	Yes
Parallel Connection	-	Units can be paralleled for system expansion
Operating Temperature	°C	-10 to +50°C
Storage Temperature	°C	-40 to +85°C
Cooling	-	Internal Fan
Withstand Voltage	-	Input - Ground 1.8kVAC for 1 min (Output is not isolated from the Input)
Safety Agency Approvals	-	UL 60950-1, CSA 22.2 No 60950-1, EN60950-1 (Ed 2), CE Mark
Weight	kg	4.1 kg
Size (WxHxD)	in.	4 x 5 x 12"
Warranty	yrs	Two Years

Outline Drawing



For Additional Information, please visit
us.tdk-lambda.com/lp/products/va-series.htm



X-ON Electronics

Largest Supplier of Electrical and Electronic Components

Click to view similar products for [Switching Power Supplies](#) category:

Click to view products by [TDK-Lambda](#) manufacturer:

Other Similar products are found below :

[70841011](#) [73-551-0005](#) [73-551-0048](#) [PS3E-B12F](#) [PS3E-E12F](#) [AAD600S-4-OP](#) [R22095](#) [KD0204](#) [9021](#) [LDIN100150](#) [LPM000-BBAR-01](#)
[LPX17S-C](#) [EVS57-10R6/R](#) [FP80](#) [FRV7000G](#) [22929](#) [PS3E-F12F](#) [CQM1IA121](#) [40370121900](#) [VI-PU22-EXX](#) [40370121910](#) [LDIN5075](#)
[LPM615-CHAS](#) [LPX140-C](#) [09-160CFG](#) [70841025](#) [VPX3000-CBL-DC](#) [LPM000-BBAR-05](#) [LPM000-BBAR-08](#) [LPM124-OUTA1-48](#)
[LPM000-BBAR-07](#) [LPM109-OUTA1-10](#) [LPM616-CHAS](#) [08-30466-1055G](#) [08-30466-2175G](#) [08-30466-2125G](#) [DMB-EWG](#) [TVQF-1219-](#)
[18S](#) [6504-226-2101](#) [CQM1IPS01](#) [SP-300-5](#) [CQM1-IPS02](#) [VI-MUL-ES](#) [22829](#) [08-30466-0065G](#) [VI-RU031-EWWX](#) [08-30466-0028G](#) [VI-](#)
[LUL-EU](#) [EP3000AC48INZ](#) [VP-C2104853](#)