

4

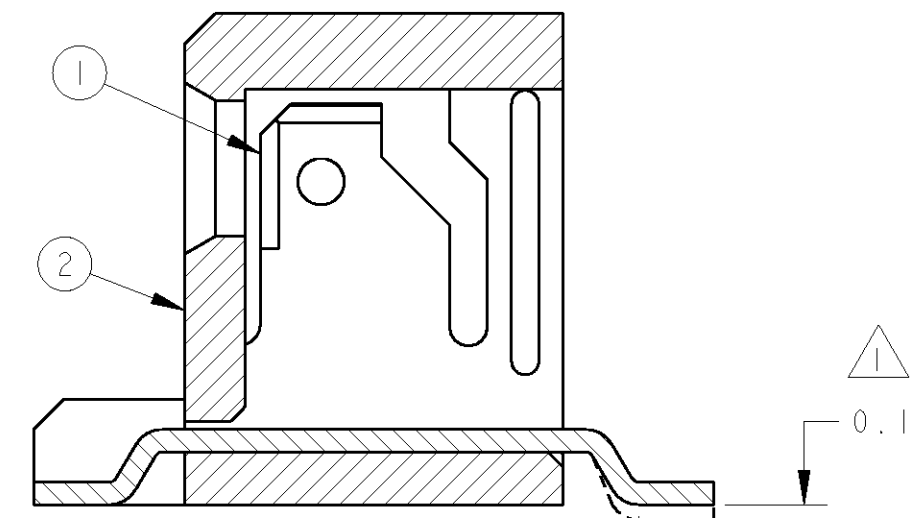
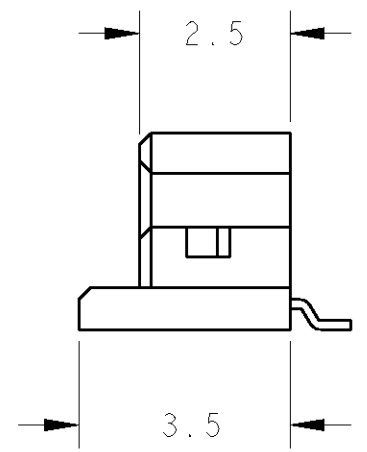
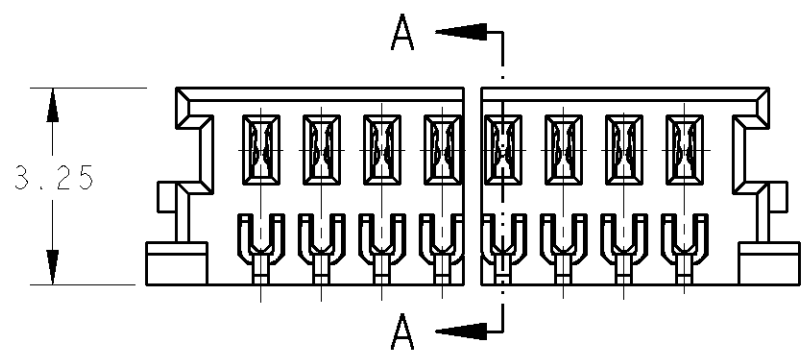
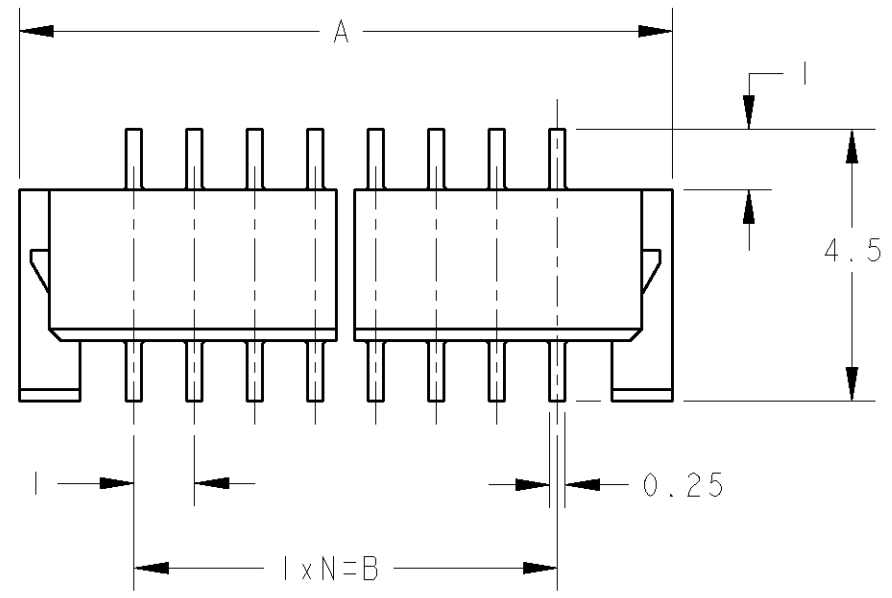
3

2

1

THIS DRAWING IS UNPUBLISHED. RELEASED FOR PUBLICATION 2004
 © COPYRIGHT 2004 BY TYCO ELECTRONICS CORPORATION. ALL RIGHTS RESERVED.

LOC	DIST	REVISIONS						
		P	LTR	DESCRIPTION	ECN	DATE	DWN	APVD
J	-	0		RELEASED	FJD0-0280-04	27AUG2004	Y.K	D.M



断面 A-A
 スケール 20:1

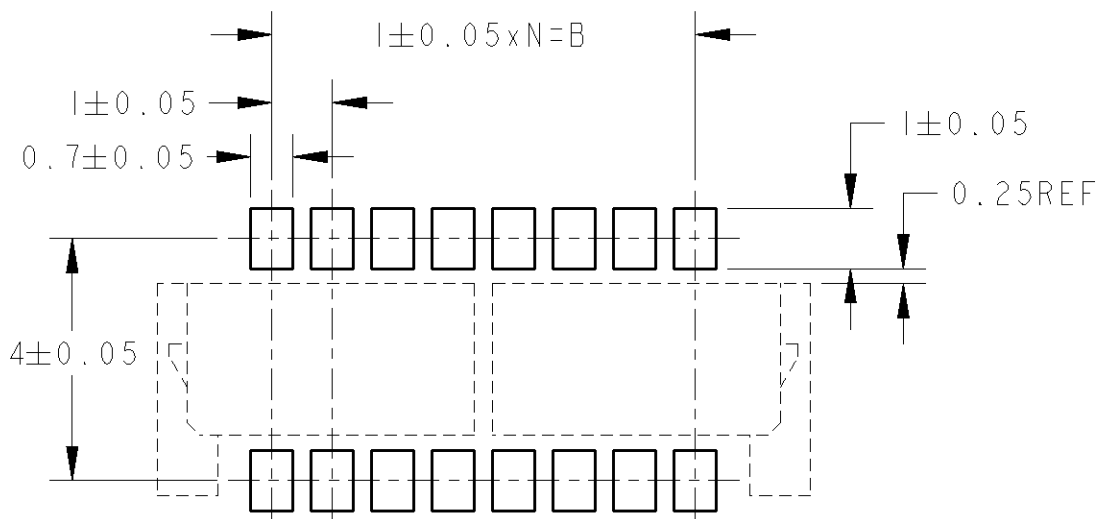
注記
 △ タイムフラット部のあばれ許容値

NOTE
 △ FLATNESS OF TINE SOLDER SURFACE

5	5	8.8	6	1747468-1
N	B	A	Pos.	PART No.

6T NYLON 94V-0 (BLACK)		HDR HSG (6P)	2
Phoshor Bronze, FINISH UNDER Ni 1.27μm MIN, SURFACE Au 0.2μm MIN		REC CONTACT	1
MATERIAL AND FINISH		NAME	ITEM NO.
PARTS LIST			

THIS DRAWING IS A CONTROLLED DOCUMENT FOR TYCO ELECTRONICS CORPORATION IT IS SUBJECT TO CHANGE AND THE CONTROLLING ENGINEERING ORGANIZATION SHOULD BE CONTACTED FOR THE LATEST REVISION.		DWN Y.KATO 26AUG2004 CHK D.MITSUGI 27AUG2004 APVD D.MITSUGI 27AUG2004		tyco Electronics Tyco Electronics AMP K.K. Kawasaki, Japan	
DIMENSIONS: 単位: 概 mm		TOLERANCES UNLESS OTHERWISE SPECIFIED: 一般公差 ±0.25 0-PLC ± 1-PLC ±0.5 2-PLC ±0.13 3-PLC ±0.013 4-PLC ±0.000J ANGLES ±3		PRODUCT SPEC 製品規格 108-5865-1 APPLICATION SPEC 取付適用規格 -	
MATERIAL 材料 SEE TABLE		FINISH 仕上 SEE TABLE		NAME 名称 HDR ASSY MINI VP 1.0mm W to B CONN.	
WEIGHT -		SIZE A3		CAGE CODE 00779 DRAWING NO 1747468	
CUSTOMER DRAWING		SCALE 8:1		SHEET 1 OF 1 REV 0	



推奨基板寸法
 RECOMMENDED P.C.BOARD DIM.

X-ON Electronics

Largest Supplier of Electrical and Electronic Components

Click to view similar products for [Headers & Wire Housings](#) category:

Click to view products by [TE Connectivity](#) manufacturer:

Other Similar products are found below :

[95000-104TRLF](#) [10135584-644402LF](#) [DF62W-EP2022PCA](#) [95000-106TRLF](#) [DF62W-2022SCA](#) [DF62W-EP2022PC](#) [2203348](#) [DF62W-2022SC](#) [1084018](#) [1029039](#) [1084017](#) [802-10-012-10-002000](#) [1112640](#) [1112639](#) [891-007-9SS-BST1T](#) [000-34000](#) [0008550134](#) [0009482033](#) [0009507031](#) [57102-F02-18ULF](#) [57102-S06-03LF](#) [57202-S52-04LF](#) [PCN6-15S-2.5E](#) [0039019024](#) [58102-G61-06LF](#) [582553-1](#) [0009485154](#) [0009508121](#) [0022285053](#) [0050291907](#) [018731A](#) [LY20-4P-DT1-P1E-BR](#) [02.125.8002.8](#) [60101931](#) [60598-1 \(Cut Strip\)](#) [M1625-3R/100](#) [61062-3](#) [61082-181009](#) [CSU011177004](#) [636-1427](#) [638009-1](#) [641938-9](#) [641991-4](#) [644168-1](#) [644827-2](#) [647662-1](#) [65039-019ELF](#) [65692-001LF](#) [65781-018](#) [65781-047](#)