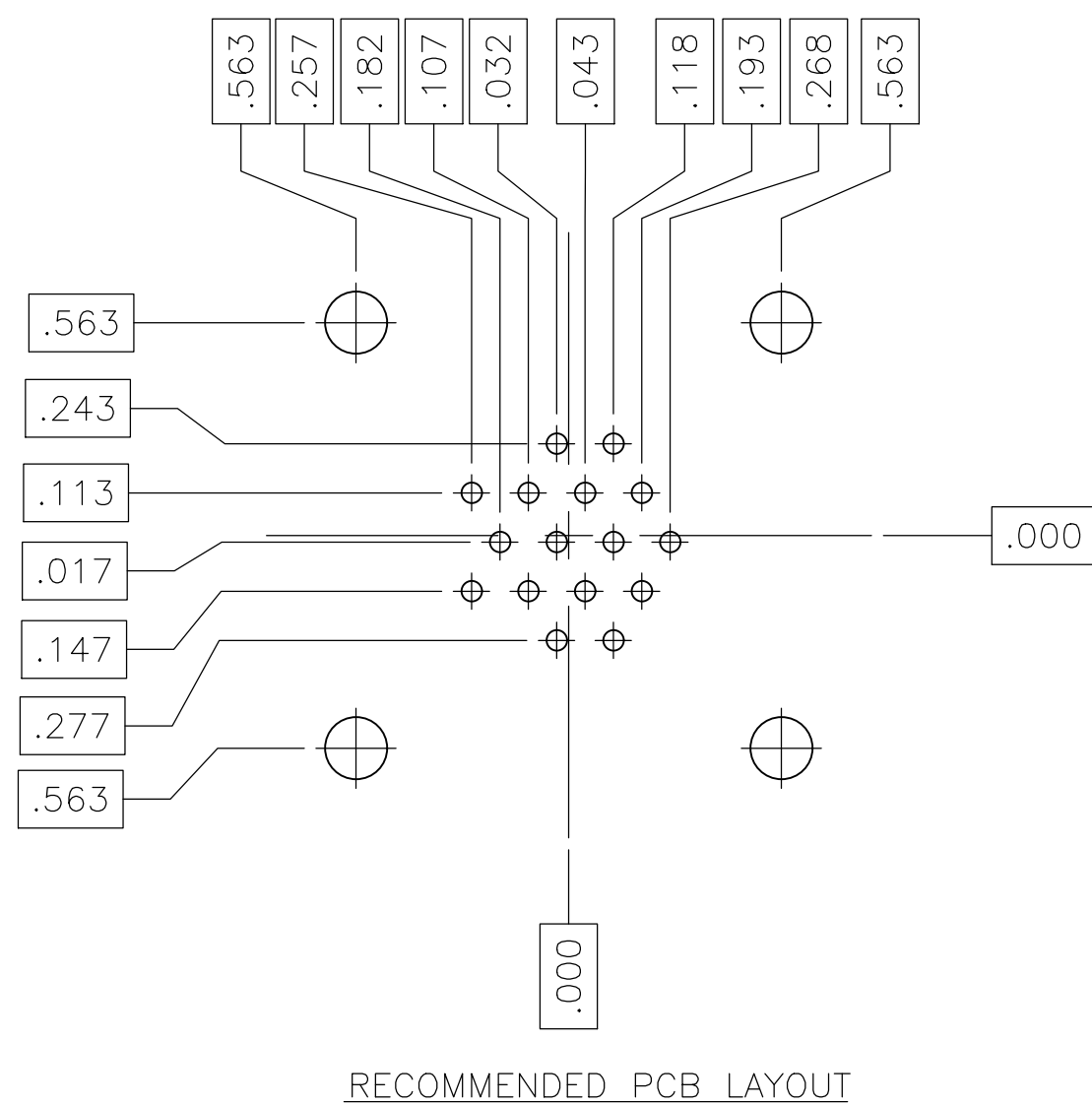
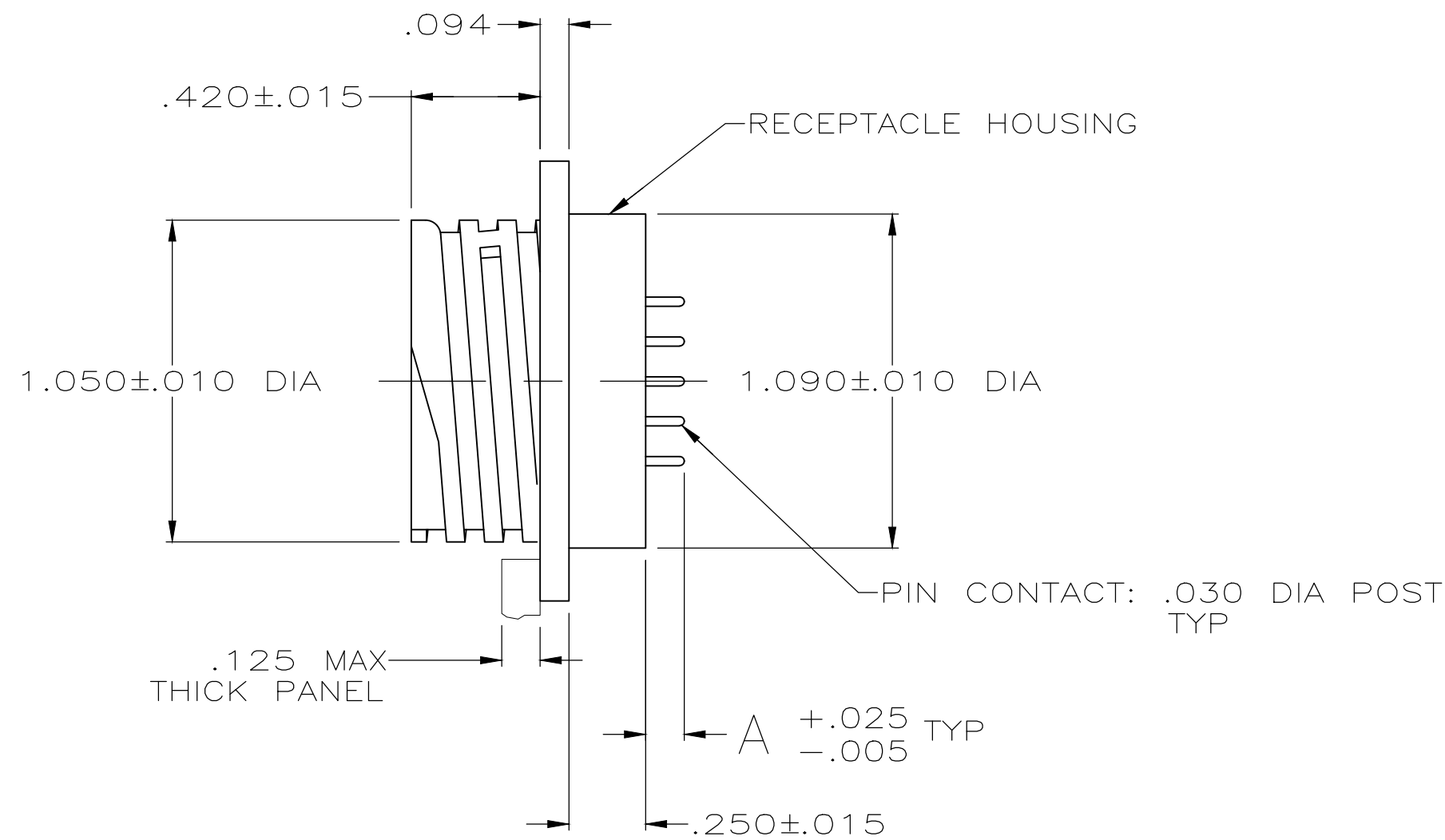
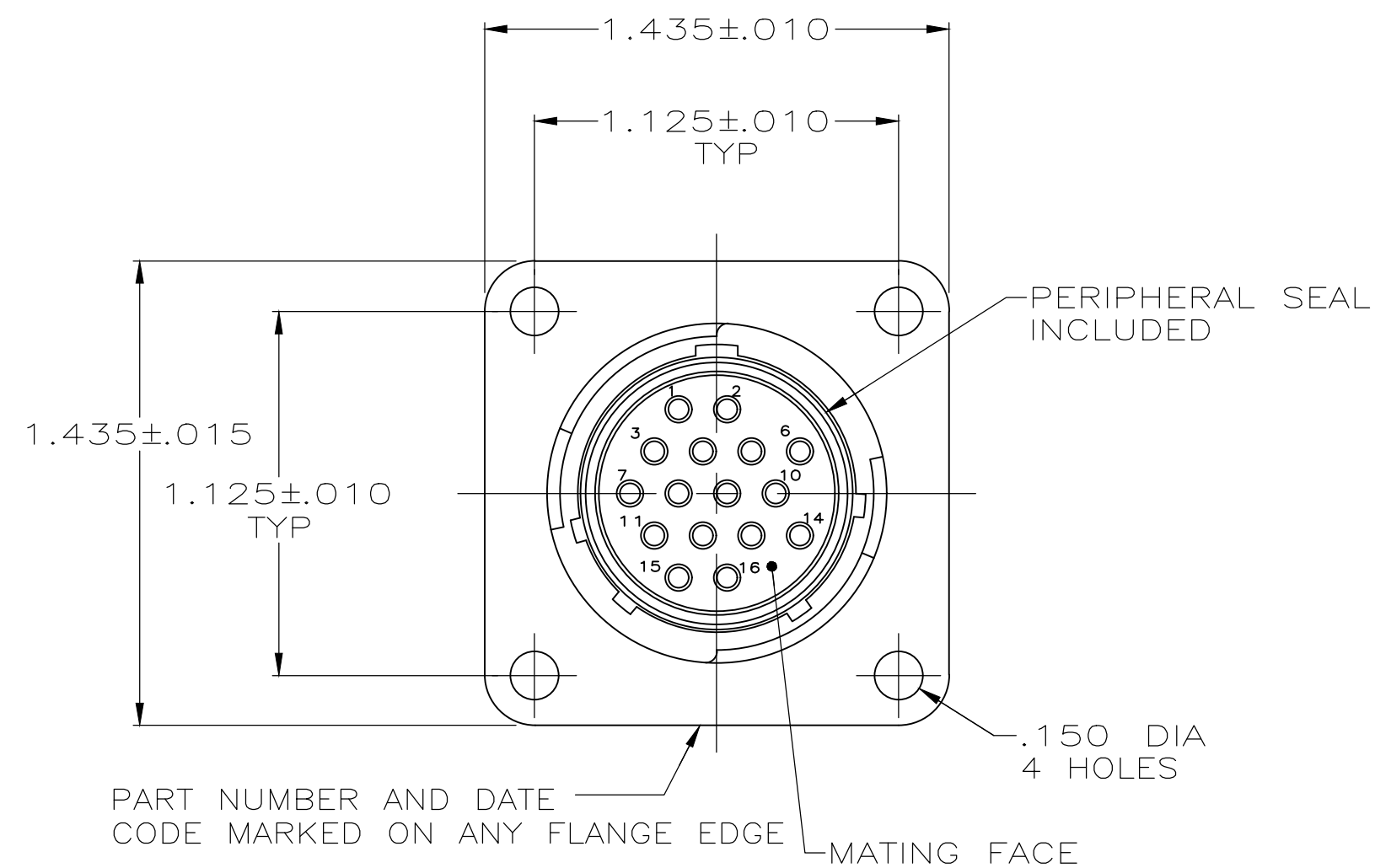


THIS DRAWING IS UNPUBLISHED. RELEASED FOR PUBLICATION
 © COPYRIGHT - 0 ALL RIGHTS RESERVED.

REVISIONS					
P	LTR	DESCRIPTION	DATE	DWN	APVD
F		REVISED PER 0G3B-0147-03	5/23/03	SS	SH
G		REVISED PER ECO-17-000037	10MAR2017	RS	MZ
H		REVISED PER ECO-18-007248	17MAY2018	KH	MZ



OBSOLETE	.175	4	207292-4
	.175	3	207292-3
	.125	4	207292-2
	.125	3	207292-1
A	FINISH	PART NUMBER	

- 1 NYLON, UL 94V-0 RATED, BLACK.
- 2 BRASS.
- 3 .000100 MIN TIN PER MIL-T-10727 OVER NICKEL FLASH PER QQ-N-290.
- 4 .000030 MIN GOLD PER MIL-G-45204 OVER .000030 MIN NICKEL PER QQ-N-290.

THIS DRAWING IS A CONTROLLED DOCUMENT. DWN J GALLUCCI BG 5-22-91
 CHK R.STONE 3-4-92

STE TE Connectivity

POSTED RECEPTACLE ASSEMBLY, STD SEX, SERIES 1, 17-16, CPC

MATERIAL	RECEPT HOUSING: 1 PIN CONTACT: 2	FINISH	PIN CONTACT: SEE TABLE	WEIGHT	-	SIZE	A2	CAGE CODE	00779	DRAWING NO	C-207292	RESTRICTED TO	-			
CUSTOMER DRAWING											SCALE	2:1	SHEET	1 OF 1	REV	H

X-ON Electronics

Largest Supplier of Electrical and Electronic Components

Click to view similar products for [Standard Circular Connector](#) category:

Click to view products by [TE Connectivity](#) manufacturer:

Other Similar products are found below :

[C015](#) [10F006](#) [001](#) [1](#) [5M2530B10P](#) [600259N006](#) [600273N007](#) [600432N009](#) [6280-2PG-519](#) [6280-3PG-311](#) [6280-3SG-311](#) [6280-7SG-3DC](#)
[6280-7SG-522](#) [6282-5PG-311](#) [6282-6PG-519](#) [6282-8SG-311](#) [6283-11](#) [6283-15](#) [6290](#) [6382-2PG-311](#) [6382-2PG-3DC](#) [6382-2SG-321](#) [6382-2SG-3DC](#) [6382-4SG-516](#) [67-03E20-37P](#) [681-PMG](#) [CXS3102A14S2P](#) [CXS3102A181S](#) [CXS3106A14S6S](#) [MB12P-1](#) [MB12R-6](#) [7251-2PG-300](#) [7251-2SG-300](#) [7251-4PG-300](#) [7251-4SG-300](#) [7251-5PG-300](#) [7251-5SG-300](#) [7251-6SG-300](#) [7251-7PG-300](#) [7251-8PG-300](#) [7271-6SG-300](#) [7282-3PG-300-CH3](#) [73000005663](#) [75-190216-08S](#) [75-190218-10P](#) [75-474118-10P](#) [75-474618-01S](#) [75-474620-07P](#) [799539-000](#) [MI8-SE](#) [80-190222-18P](#) [805-005-07NF11-19PC](#) [805-005-07NF15-7PA](#)