

THIS DRAWING IS UNPUBLISHED. RELEASED FOR PUBLICATION 20
 © COPYRIGHT 20 BY - ALL RIGHTS RESERVED.

NOTES:

- 1 MATERIALS AND FINISH:
 -MODULE HOUSING: PBT, COLOR: GREY
 -CONTACTS: BRASS, FINISH: Sn
 -O-RING: SILICON RUBBER

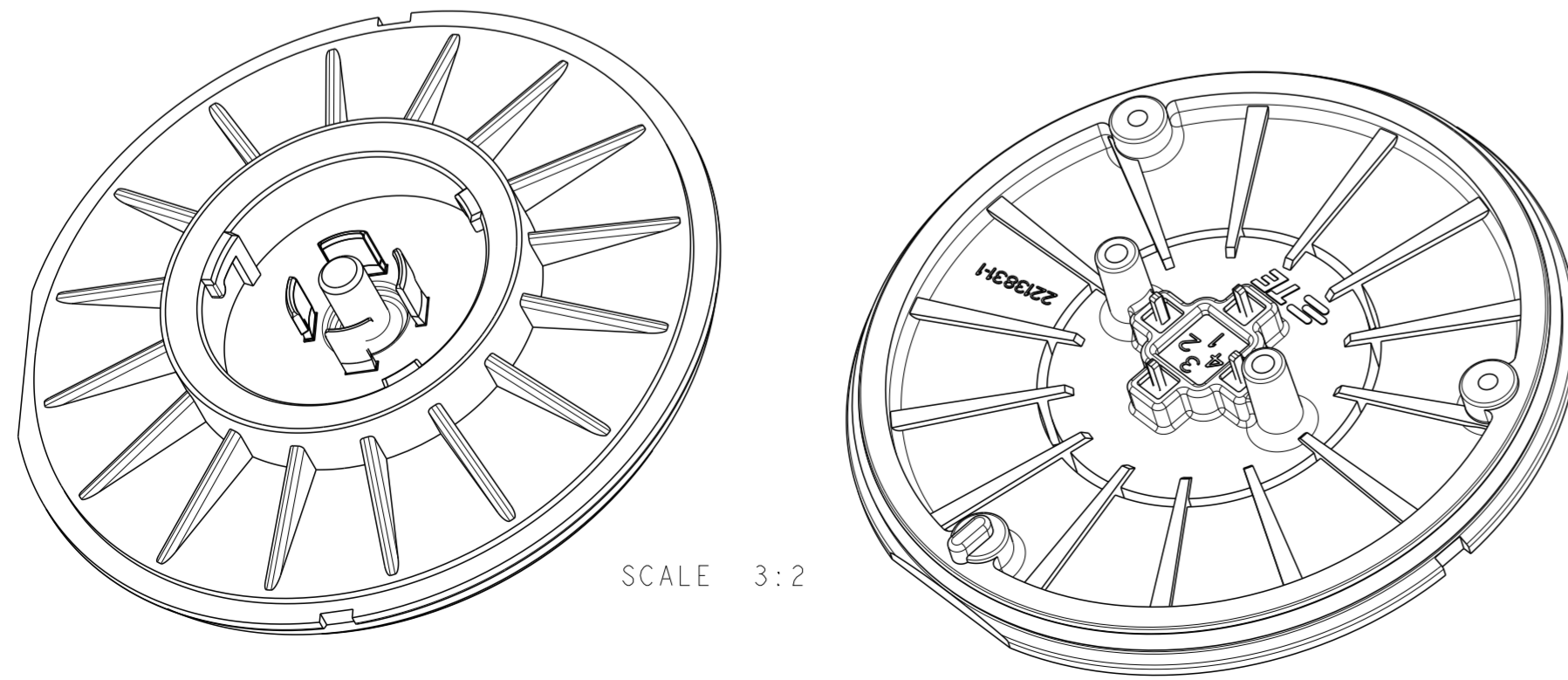
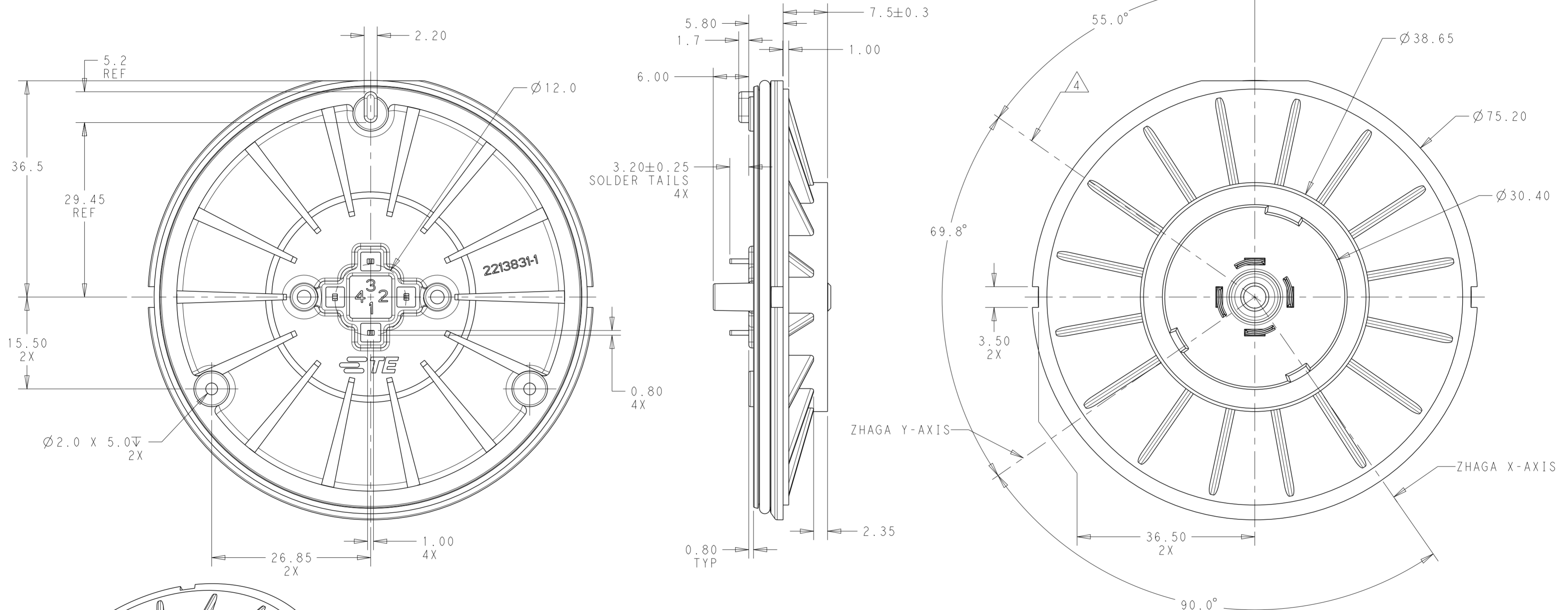
2. MUST COMPLY WITH DIRECTIVE 2002/95/EC (ROHS)

3 THIS PRODUCT HAS NOT COMPLETED VALIDATION TESTING

4 LOCATION OF FLAT ON RECEPTACLE (TE P/N 2213858-1) THREAD SECTION IN FULL MATED POSITION

5. COMPATIBLE DOME IS 2328823-X.

| REVISIONS | | | | |
|-----------|-----|---------------------------|-----------|-------|
| P | LTR | DESCRIPTION | DATE | APVD |
| A | | REVISED PER ECR-18-017023 | 05NOV2018 | SR DD |
| A1 | | REVISED PER ECR-18-017999 | 22NOV2018 | SR DD |



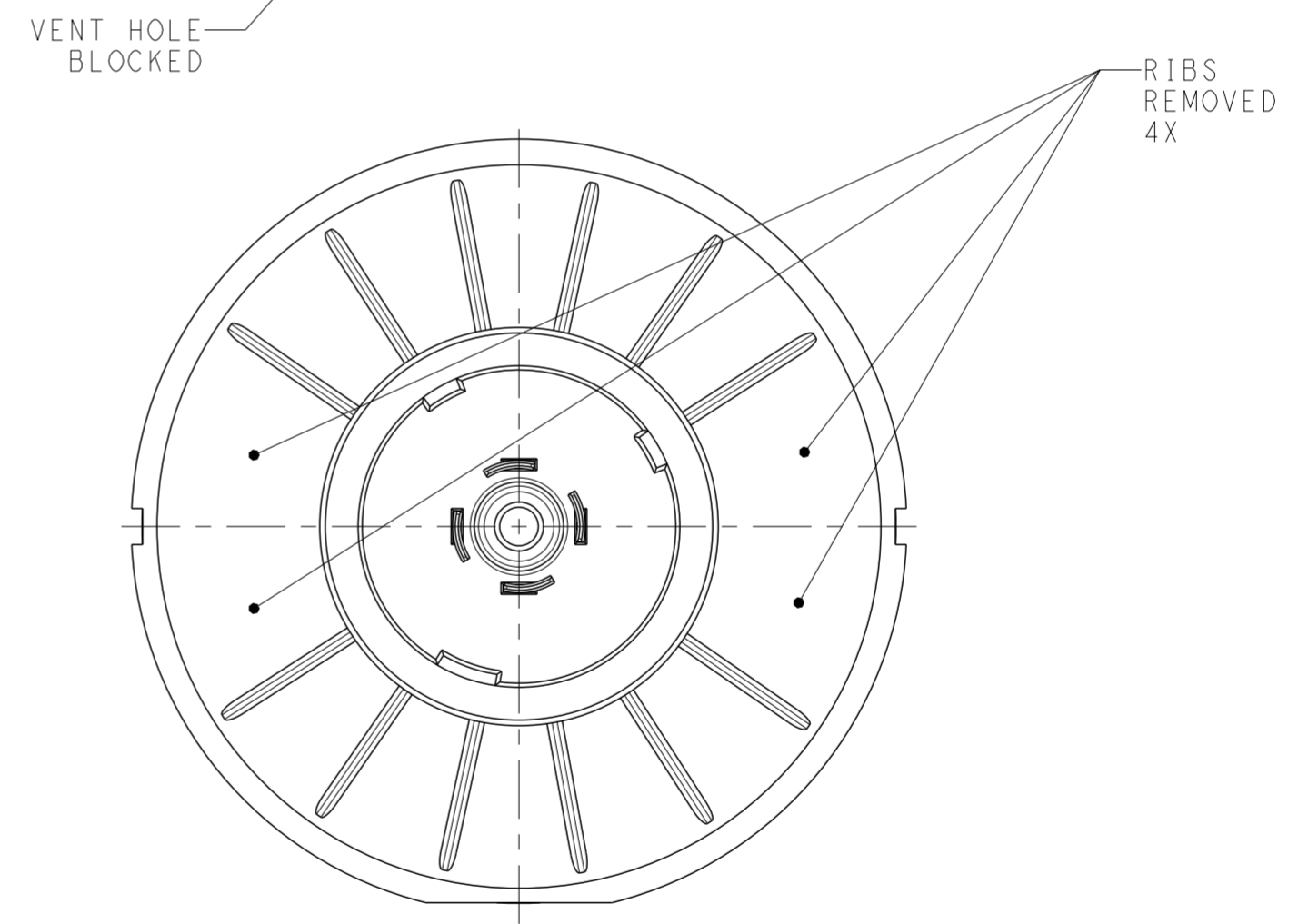
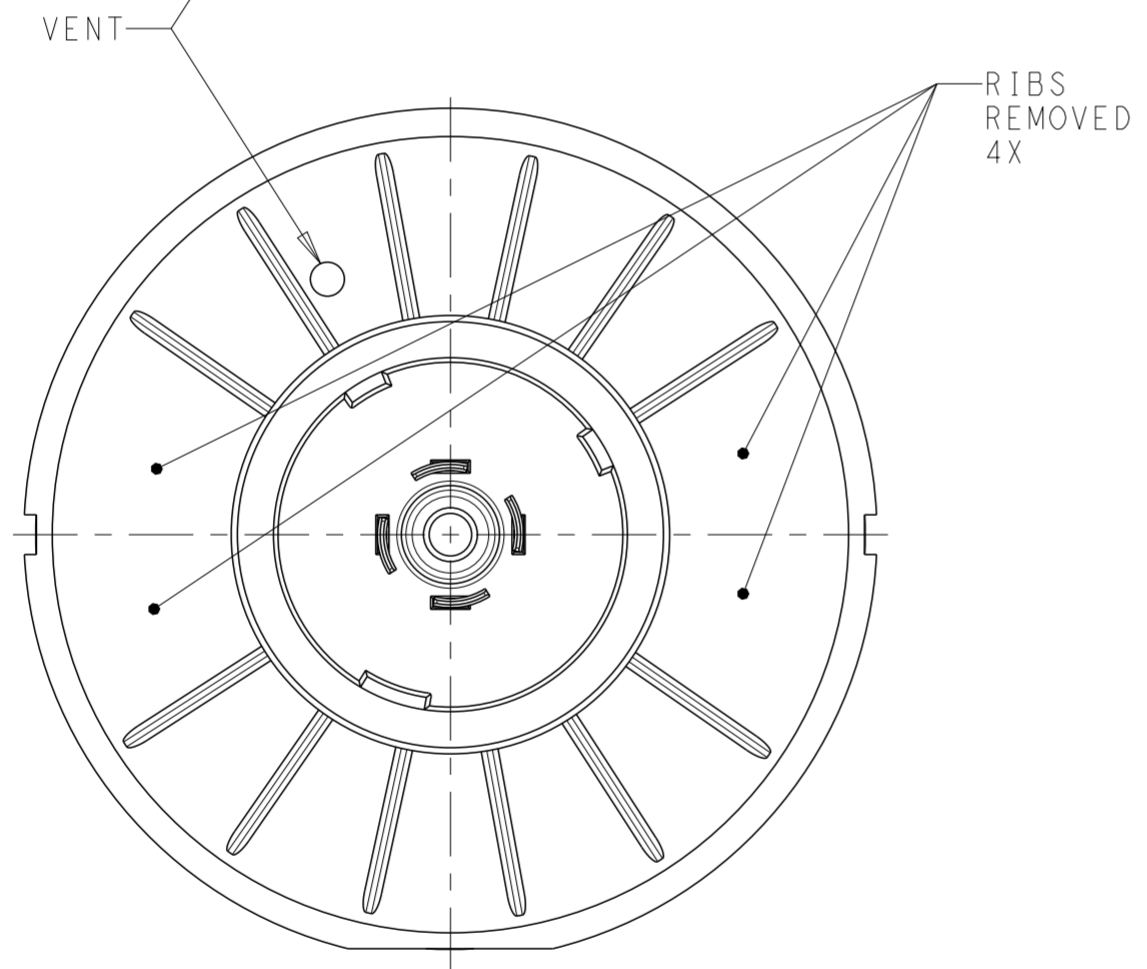
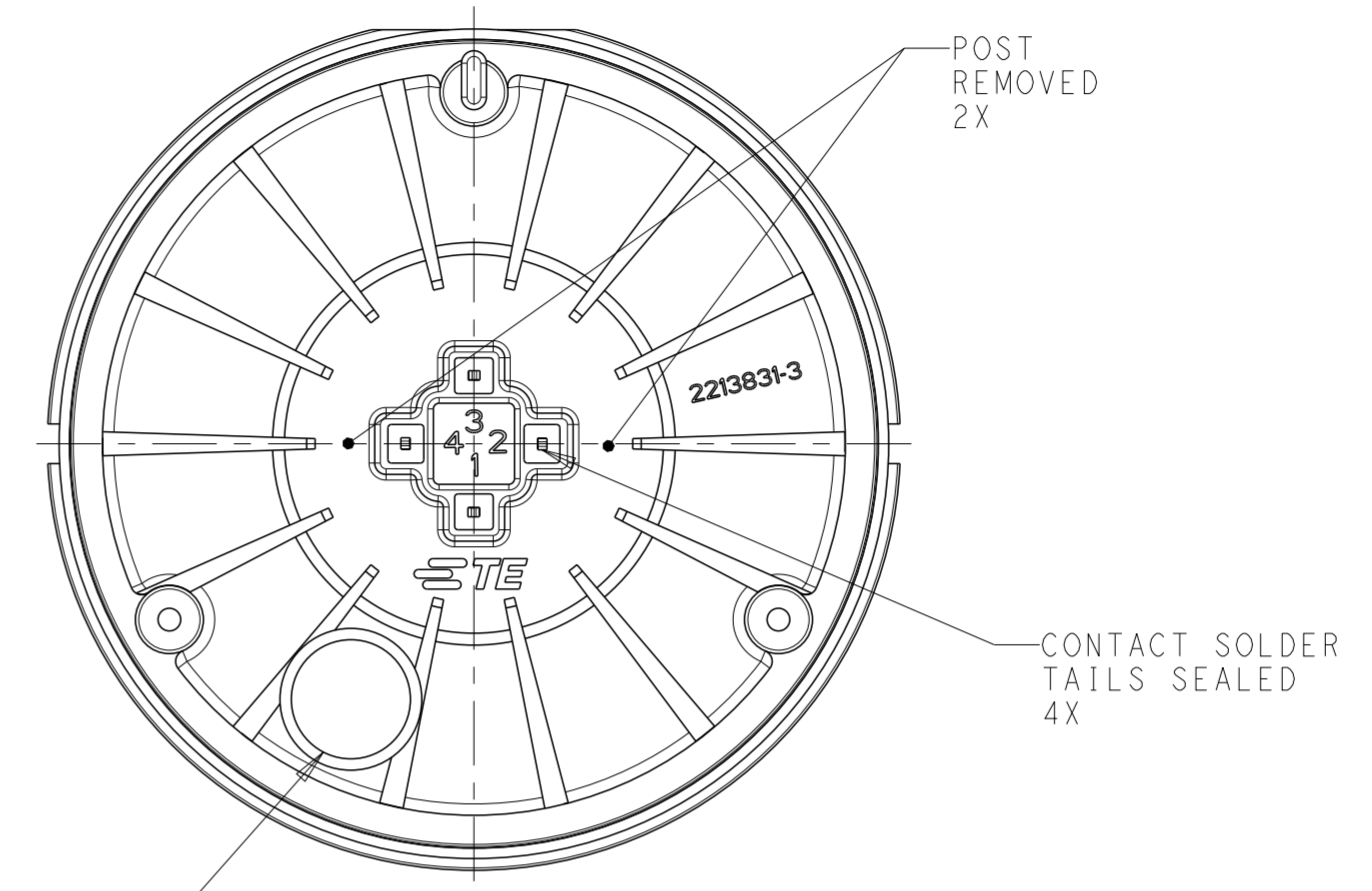
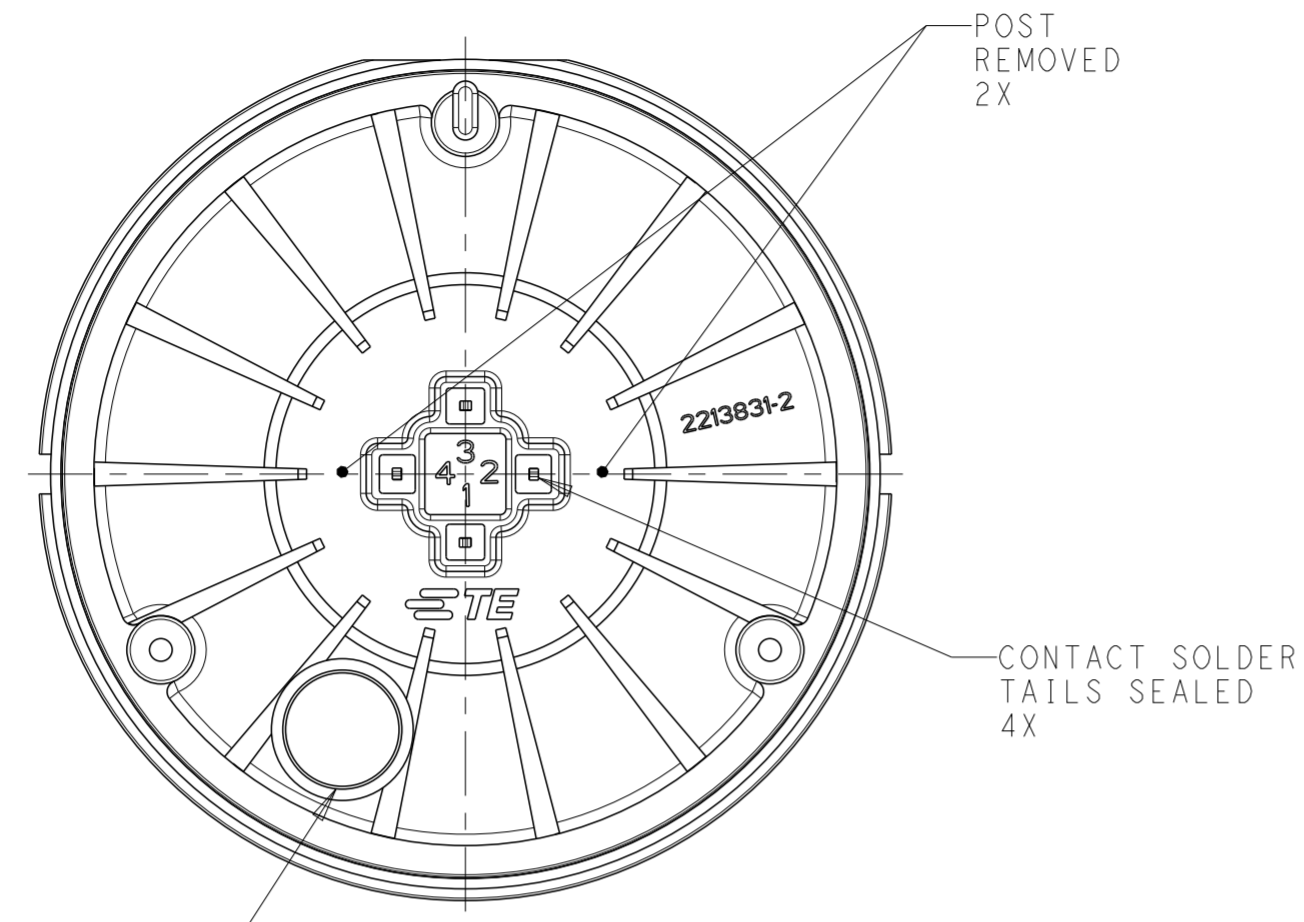
2213831-1 SHOWN

| | |
|-------|-----------|
| 3 | 2213831-3 |
| 3 | 2213831-2 |
| - | 2213831-1 |
| NOTES | PART NO. |

| DIMENSIONS: | | TOLERANCES UNLESS OTHERWISE SPECIFIED: | | DWN | | CHK | | APVD | | NAME | |
|-------------|--|--|-------|------------------|-----------|------------|-----------|--|--|-----------------|---------------|
| mm | | 0 PLC | ± | C DAILY | 05APR2016 | E HOWARD | 05APR2016 | | | TE Connectivity | |
| | | 1 PLC | ±0.2 | PRODUCT SPEC | | 108-133073 | | MODULE BASE ASSEMBLY, LUMAWISE ENDURANCE S 80mm DIAMETER | | SIZE | RESTRICTED TO |
| | | 2 PLC | ±0.15 | APPLICATION SPEC | | 114-133074 | | A2 | | CAGE CODE | |
| | | 3 PLC | ± | MATERIAL | | - | | SCALE | | DRAWING NO | |
| | | 4 PLC | ± | FINISH | | - | | 2:1 | | G-2213831 | |
| | | ANGLES | ±1 | SEE NOTES | | - | | SHEET | | 1 OF 3 | |
| | | FINISH | - | CUSTOMER DRAWING | | - | | REV | | A1 | |

THIS DRAWING IS UNPUBLISHED. RELEASED FOR PUBLICATION 20
 © COPYRIGHT 20 BY - ALL RIGHTS RESERVED.

| REVISIONS | | | | |
|-----------|-----|-------------|------|------|
| P | LTR | DESCRIPTION | DATE | APVD |
| - | | SEE SHEET 1 | - | - |
| | | | | |
| | | | | |



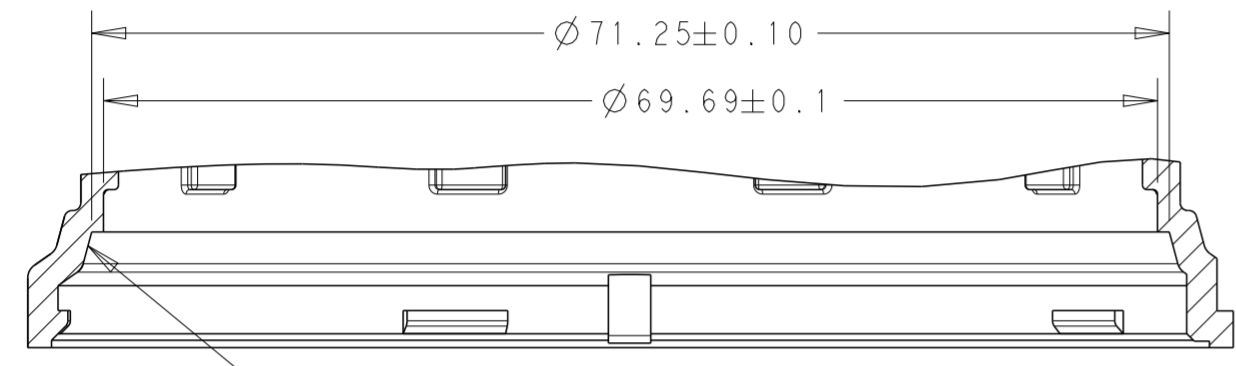
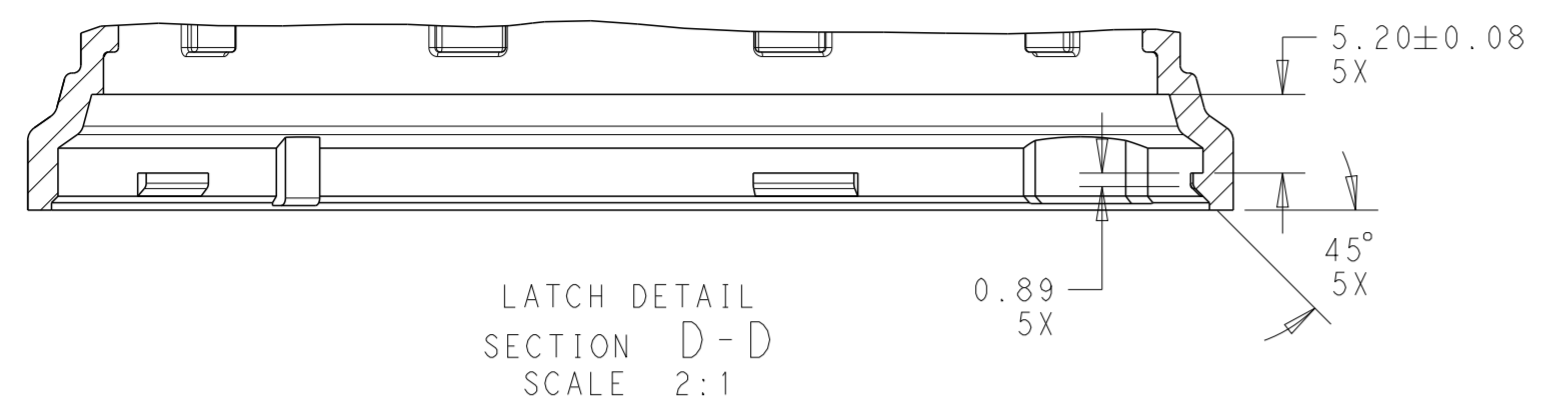
2213831-2 SHOWN
 SAME AS
 2213831-1 EXCEPT AS SHOWN

2213831-3 SHOWN
 SAME AS
 2213831-1 EXCEPT AS SHOWN

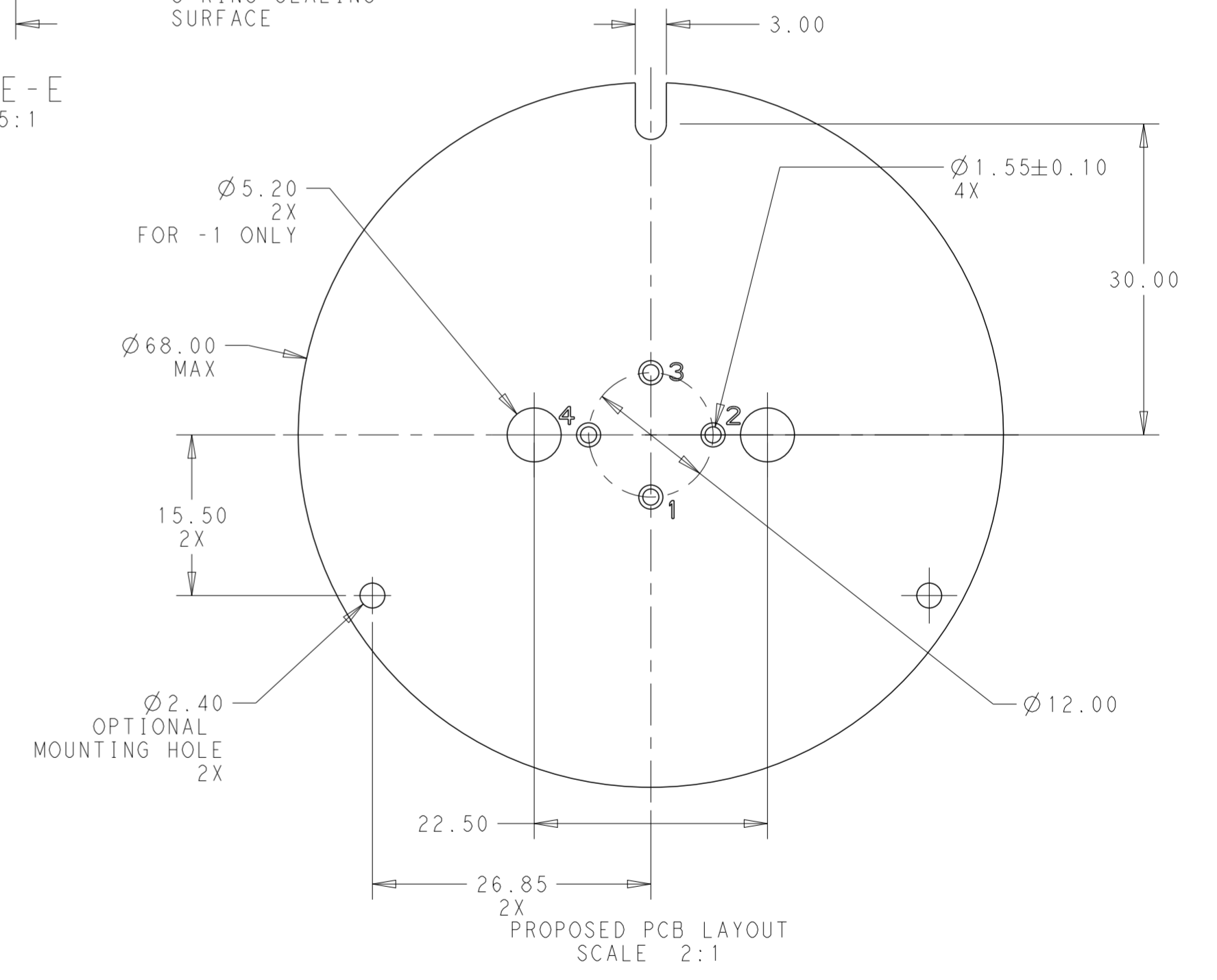
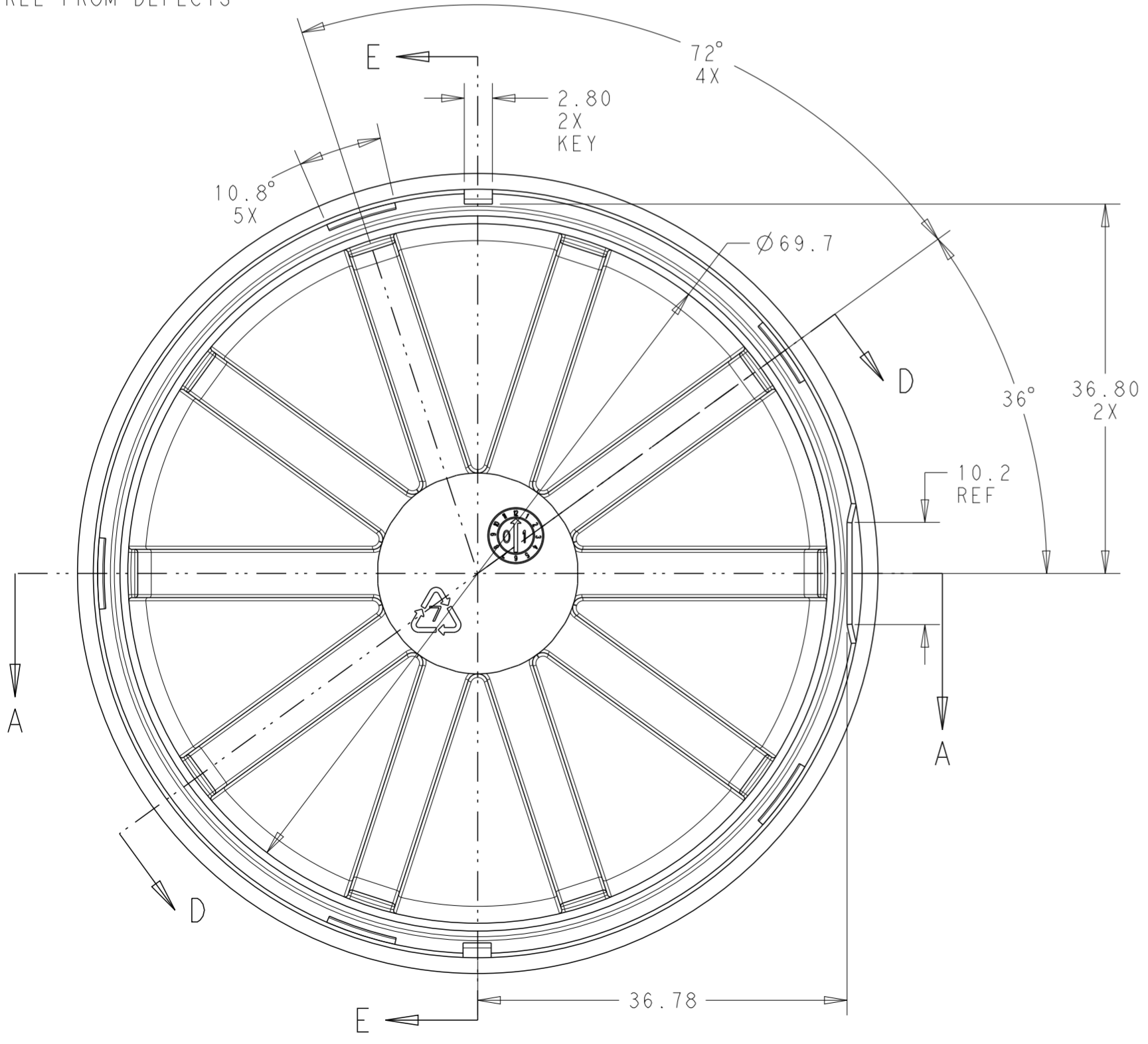
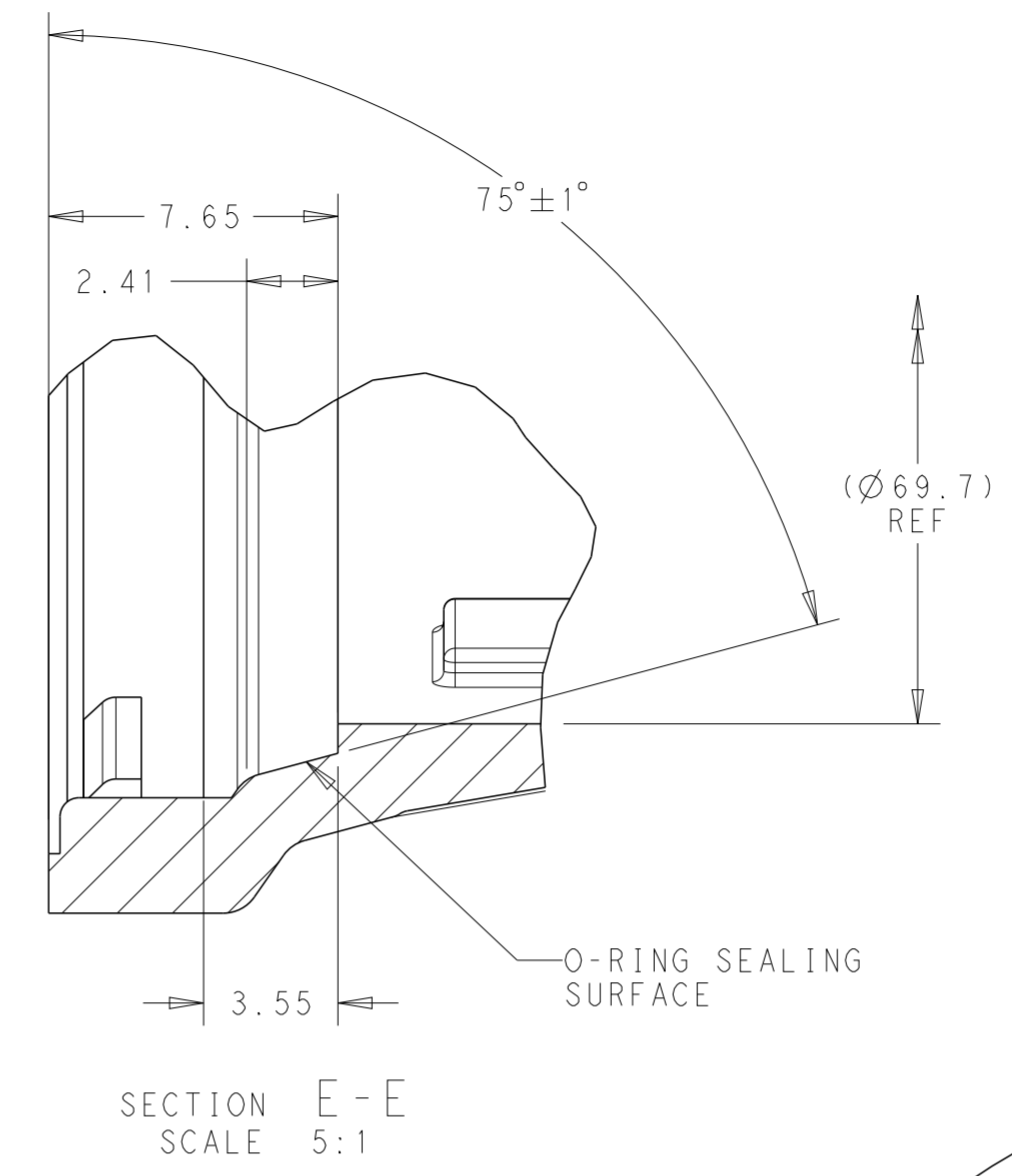
| | | | | |
|--|--|--|--|-----------|
| THIS DRAWING IS A CONTROLLED DOCUMENT. | | DWN C. DAILY 05APR2016 | TE Connectivity | |
| | | CHK E. HOWARD 05APR2016 | | |
| DIMENSIONS: mm | | TOLERANCES UNLESS OTHERWISE SPECIFIED: | | APVD - |
| | | 0 PLC ± | NAME MODULE BASE ASSEMBLY, LUMAWISE ENDURANCE S 80mm DIAMETER | |
| | | 1 PLC ±0.2 | PRODUCT SPEC 108-133073 | |
| | | 2 PLC ±0.15 | APPLICATION SPEC 114-133074 | |
| | | 3 PLC ± | SIZE A2 | |
| | | 4 PLC ± | CAGE CODE - | |
| | | ANGLES ±1 | DRAWING NO G-2213831 | |
| MATERIAL - | | FINISH - | RESTRICTED TO - | |
| SEE NOTES | | | SCALE 2:1 SHEET 2 OF 3 REV A1 | |
| | | | CUSTOMER DRAWING | |

THIS DRAWING IS UNPUBLISHED. RELEASED FOR PUBLICATION 20
 © COPYRIGHT 20 BY - ALL RIGHTS RESERVED.

| REVISIONS | | | | |
|-----------|-----|-------------|------|------|
| P | LTR | DESCRIPTION | DATE | APVD |
| - | - | SEE SHEET 1 | - | - |
| | | | | |
| | | | | |



O-RING SEALING SURFACE;
MUST BE SMOOTH AND
FREE FROM DEFECTS



| | | | | |
|--|--|--------------------------------|----------------------------|--|
| THIS DRAWING IS A CONTROLLED DOCUMENT. | | DWN C. DAILY 05APR2016 | TE Connectivity | |
| | | CHK E. HOWARD 05APR2016 | | |
| DIMENSIONS: mm | TOLERANCES UNLESS OTHERWISE SPECIFIED: | APVD - | PRODUCT SPEC 108-133073 | NAME MODULE BASE ASSEMBLY, LUMAWISE ENDURANCE S 80mm DIAMETER |
| | 0 PLC ± 1 PLC ±0.2 2 PLC ±0.15 3 PLC ± 4 PLC ± | APPLICATION SPEC 114-133074 | SIZE A2 | CAGE CODE - |
| MATERIAL - | FINISH - | WEIGHT - | DRAWING NO C-2213831 | RESTRICTED TO - |
| SEE NOTES | | CUSTOMER DRAWING | SCALE 2:1 | SHEET 3 OF 3 REV A1 |

X-ON Electronics

Largest Supplier of Electrical and Electronic Components

Click to view similar products for [LED Power Supplies](#) category:

Click to view products by [Mean Well](#) manufacturer:

Other Similar products are found below :

[ESS015W-1000-12](#) [EUC-075S105DT](#) [PDA-WIFI](#) [PIFC-K250F](#) [PITB-K222A](#) [ALD-514012PJ134](#) [LB240S24KH](#) [LMH020-SPLC-0000-0000001](#) [79534](#) [79535](#) [EUG-200S210DT](#) [ESS030W-1050-21](#) [ESS030W-0900-32](#) [BPOXL 4-12-035](#) [SLM160W-3.9-40-ZA](#) [ESS010W-0180-42](#) [ESS010W-0350-24](#) [ESS010W-0200-42](#) [PDA080B-1A0G](#) [PDA150B-S1A5G](#) [ZPS-20](#) [SLM140W-1.05-130-ZA](#) [ESS040W-1400-27](#) [ESS015W-0700-18](#) [ESS010E-0250-42](#) [EVM120W-2700-42-ECN2](#) [EDC-100S105SV-0007](#) [79278](#) [EUD-150S350DVA](#) [LWA320-C420-ARK-B](#) [50304](#) [HVG-320-36AB](#) [HVG-320-54AB](#) [OT FIT 50/220-240/300 D L](#) [OT FIT 35/220-240/350 D CS L](#) [OT FIT 65/220-240/350 D CS L](#) [ELEMENT 30/220-240/700 S](#) [LC 75W 100-400MA 1-10V LP EXC](#) [LCA 35W 150-700MA ONE4ALL LP PRE](#) [LCA 50W 100-400MA ONE4ALL LP PRE](#) [LCA 50W 350-1050MA ONE4ALL LP PRE](#) [LCA 50W 350-1050MA 2XCH LP PRE](#) [LCI 150/325-1050/300 O4A SL PRE](#) [LCA 75W 100-400MA ONE4ALL LP PRE](#) [LCA 45W 500-1400MA ONE4ALL SC PRE](#) [LC 50W 100-400MA FLEXC LP EXC](#) [LCA 75W 350-1050MA ONE4ALL LP PRE](#) [LC 50W 350-1050MA FLEXC LP EXC](#) [LC 75W 350-1050MA FLEXC LP EXC](#) [LCA 75W 900-1800MA ONE4ALL LP PRE](#)