

REVISIONS

P	LTR	DESCRIPTION	DATE	DWN	APVD
	A	RELEASE	23MAY2018	H.T	H.T
	A2	MODIFY REEL PITCH	22OCT2018	H.T	H.T
	A3	ASSIGN SPECIFICATION NUMBER	09NOV2018	H.T	H.T

1. TECHNICAL PARAMETERS

FREQUENCY RANGE : 0~6GHz
 NOMINAL CHARACTERISTIC IMPEDANCE : 50Ω
 INSULATION RESISTANCE : 500MΩMIN
 INITIAL CONTACT RESISTANCE
 20mΩMAX(INNER CONTACT) / 20mΩMAX(OUTER CONTACT)
 WITH STANDING VOLTAGE : 200V AC 1min
 OPERATING TEMPERATURE : -40°C ~ +85°C

2. ELECTRICAL PERFORMANCE

VSWR : 1.3MAX (RANGE : 0~6GHz)

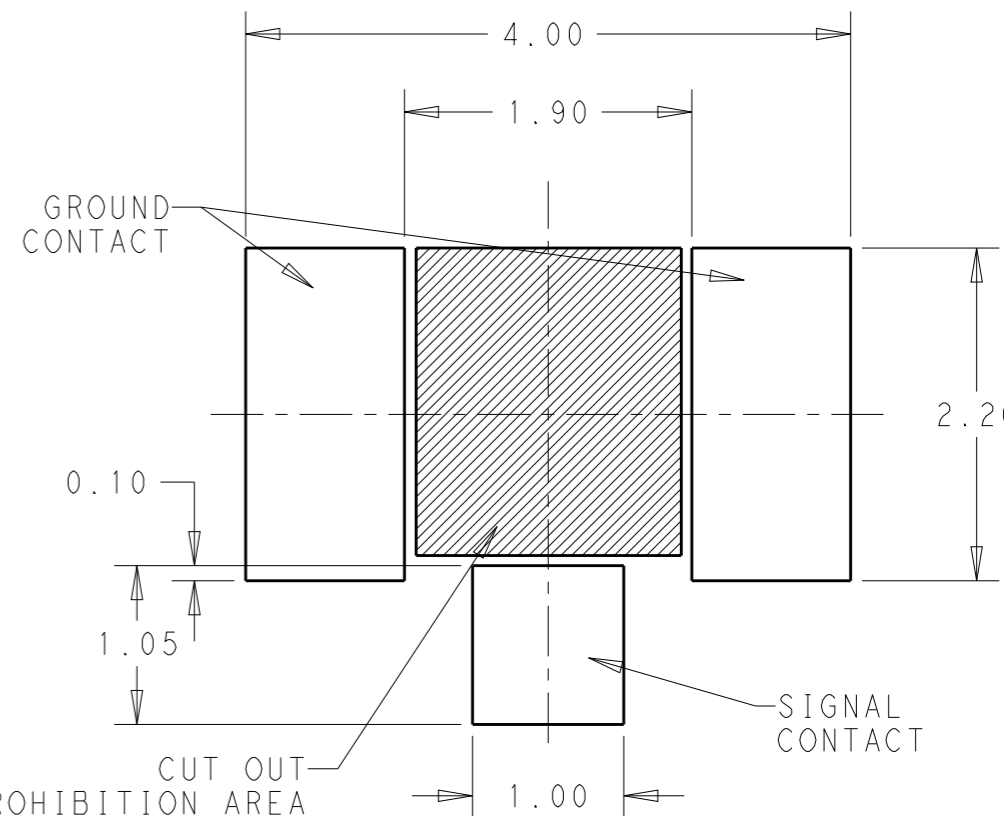
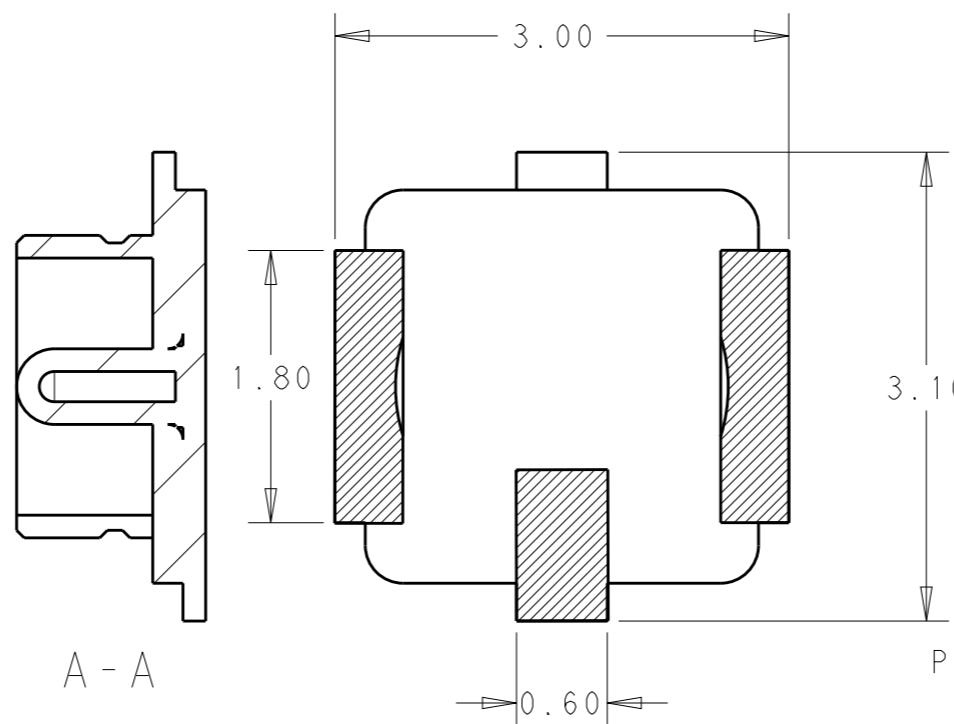
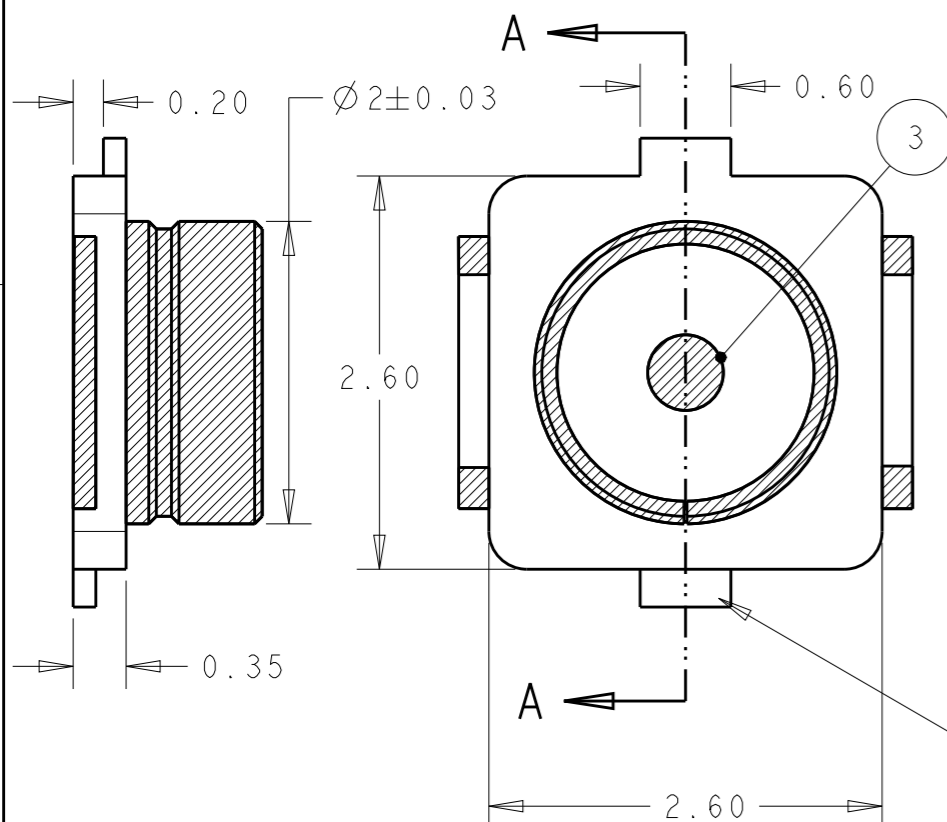
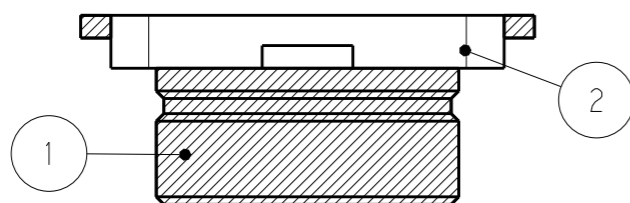
3. HATCHING FOR Au PLATING AREA. (Au PLATING : 0.05um MIN)

4. RoHS COMPLIANT

5. COPLANARITY : 0.1MAX

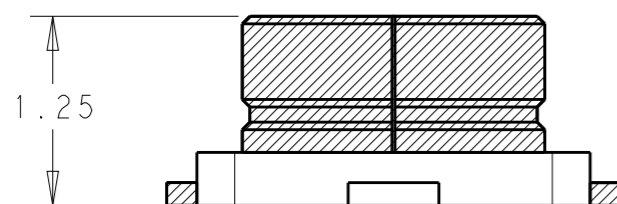
6. FITTING CONNECTOR
USS RF PLUG CONNECTOR

AS SHOWN : 2337019-1



STANDARD PCB LAYOUT SCALE 20:1

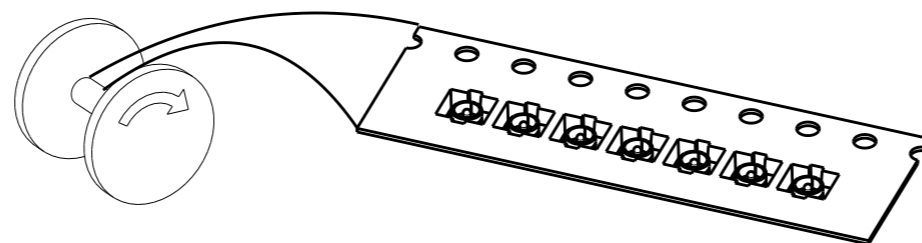
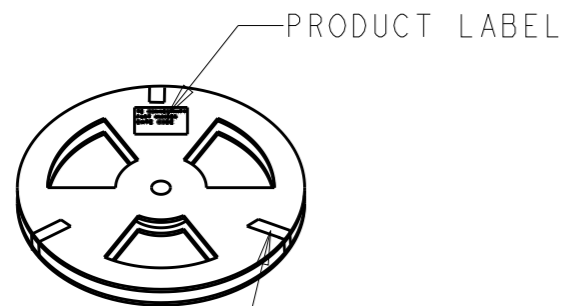
QTY	DESCRIPTION	ITEM
1	CENTER CONTACT	3
1	DIELECTRIC	2
1	SHELL	1



THIS DRAWING IS A CONTROLLED DOCUMENT.		DWN H. TAMURA	23MAY2018	STE TE Connectivity	
DIMENSIONS: mm		CHK -	APVD -		
TOLERANCES UNLESS OTHERWISE SPECIFIED: ±0.15		PRODUCT SPEC 108-140209		NAME RF, RECEPTACLE CONNECTOR GENERATION 1 COMPATIBLE WITH MHF	
0 PLC ± 1 PLC ± 2 PLC ± 3 PLC ± 4 PLC ± ANGLES ±3°		APPLICATION SPEC -		SIZE A3	CAGE CODE -
MATERIAL -		FINISH -		DRAWING NO C=2337019	
		WEIGHT 0.016		RESTRICTED TO -	
		CUSTOMER DRAWING		SCALE 20:1	SHEET 1 OF 2
				REV A3	

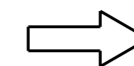
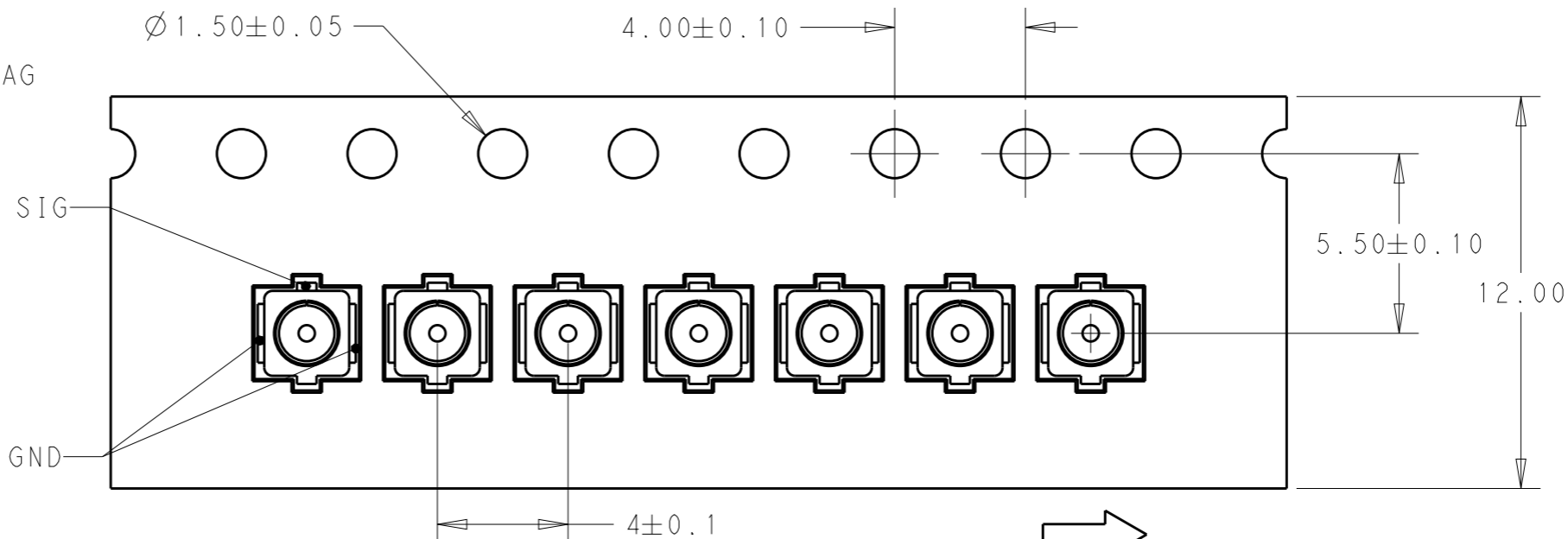
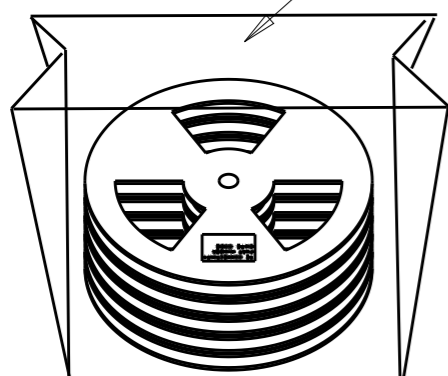
REVISIONS

P	LTR	DESCRIPTION	DATE	DWN	APVD
-	-	SEE SHEET 1	-	-	-



TRANSPARENT TAPE (*3)

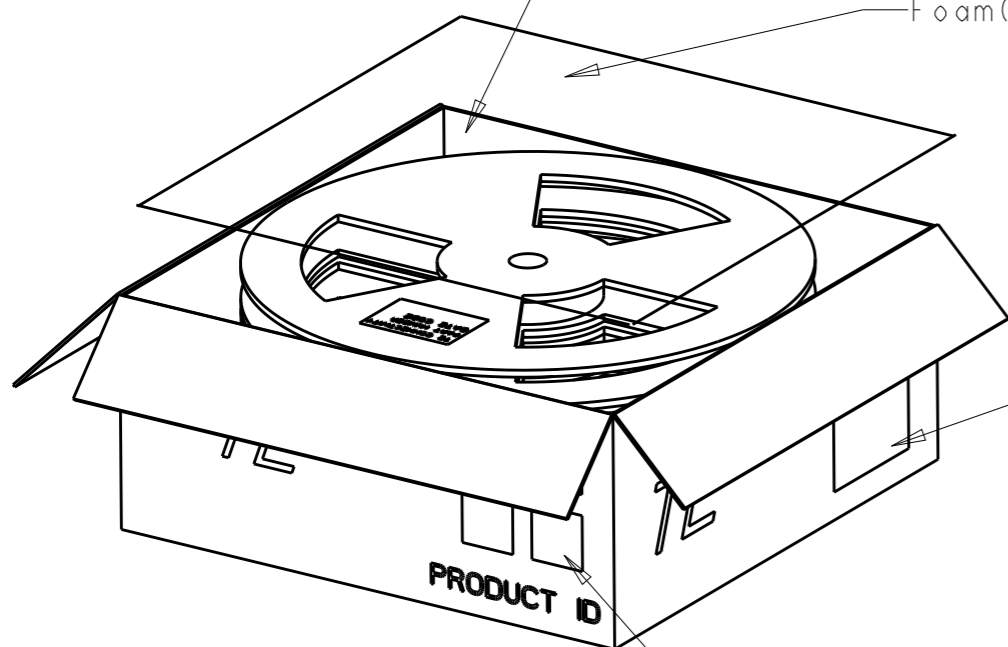
WATERPROOF BAG



USER DIRECTION OF UNREELING

TRIANGULAR CARDBOARD (*4)

Foam (*2)



SIDE OF BOX
CUSTOMER LABEL

SHIPPMENT LABEL
 RoHs LABEL
 PRODUCT LABEL

NOTE

10000 PCS / REEL
 6 REEL / BOX
 60000 PCS / BOX
 REEL DIAM : 380mm
 MATERIAL : PS 0.3mm
 REEL INNER WIDTH : 13 ± 0.2
 REEL OUTER WIDTH : 18 ± 0.2
 LEADER : 400mm MIN
 COVER TAPE LEGTH IN LEADER : 50mm MIN
 EMPTY IN LEADER : 500mm
 TRAILER(EMPTY) : 160mm MIN

THIS DRAWING IS A CONTROLLED DOCUMENT.

DWN H. TAMURA 23MAY2018

CHK -

APVD -

PRODUCT SPEC -

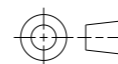
APPLICATION SPEC -

WEIGHT -

CUSTOMER DRAWING

DIMENSIONS:

mm



TOLERANCES UNLESS OTHERWISE SPECIFIED:
 ± 0.15

- 0 PLC \pm
- 1 PLC \pm
- 2 PLC \pm
- 3 PLC \pm
- 4 PLC \pm
- ANGLES $\pm 3^\circ$

MATERIAL -

FINISH -



TE Connectivity

NAME
 RF, RECEPTACLE CONNECTOR
 GENERATION 1
 COMPATIBLE WITH MHF

SIZE A3 CAGE CODE - DRAWING NO C-2337019 RESTRICTED TO -

SCALE NTS SHEET 2 OF 2 REV A3

X-ON Electronics

Largest Supplier of Electrical and Electronic Components

Click to view similar products for [RF Connectors / Coaxial Connectors](#) category:

Click to view products by [TE Connectivity](#) manufacturer:

Other Similar products are found below :

[R125315120](#) [8915-1511-000](#) [89674-0827](#) [5916-1103-603](#) [0106-001-000](#) [6-0001-3](#) [6001-7071-019](#) [6002-7051-003](#) [6002-7551-202](#) [6059674-1](#) [619550-1](#) [630059-000](#) [M39012/25-0021](#) [M39012/79-3008](#) [M39030/3-01N](#) [M39030/3-03N](#) [M3933/25-36N](#) [6500-7071-046](#) [6501-1071-002](#) [M83723/72W2457N](#) [6769](#) [CX050L2AQ](#) [7002-1541-010](#) [7002-1572-002](#) [7003-1572-002](#) [7004-1512-000](#) [7009-1511-004](#) [7010-1511-000](#) [7029-1511-060](#) [7101-1541-010](#) [7101-1571-002](#) [7105-1521-002](#) [7145-1521-002](#) [7209-1511-011](#) [7210-1511-012](#) [7210-1511-015](#) [7210-1511-019](#) [7210-1511-040](#) [7225-1512-050](#) [7242-1511-000](#) [73137-5015](#) [73251-0111](#) [73251-0672](#) [73276-1501](#) [73366-0013](#) [73404-2300](#) [73413-6080](#) [734151610](#) [73415-5721](#) [7405-1521-005](#)