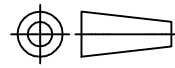
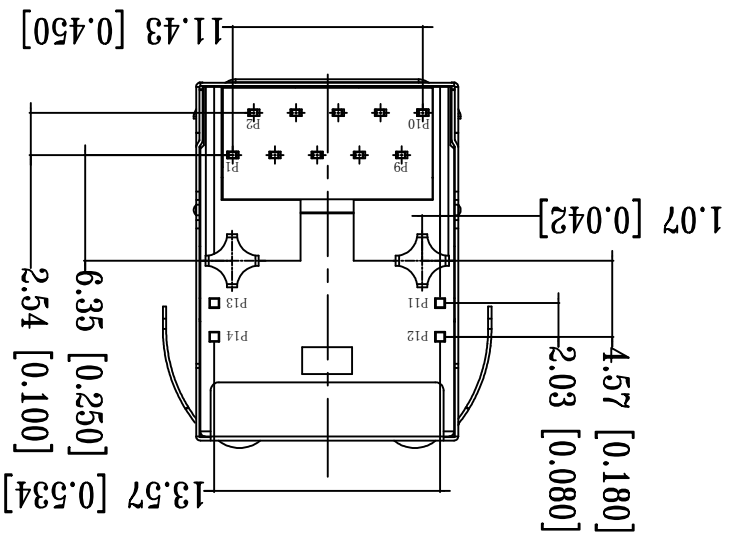
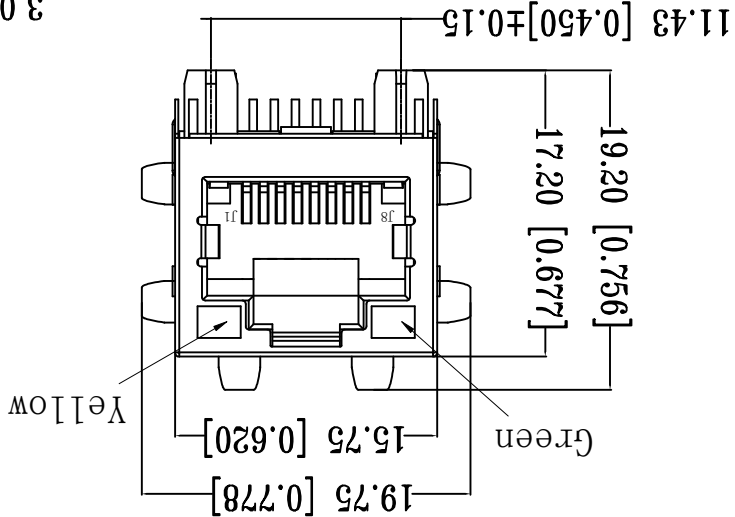
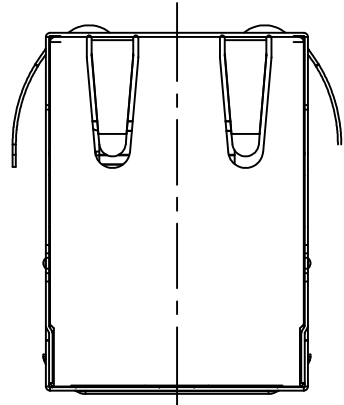
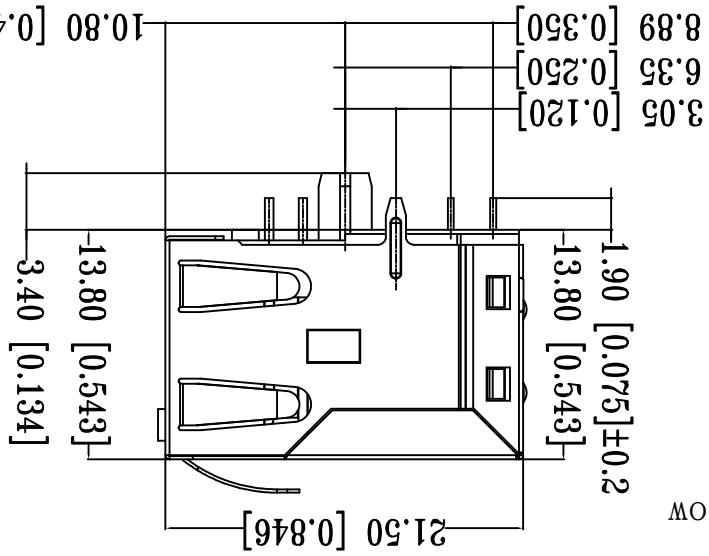
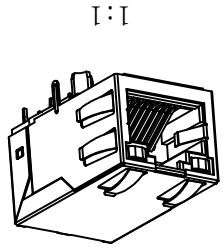


CUSTOMER DRAWING		SCALE 3:1	SHEET 1 OF 3	REV A
WEIGHT 114-94556		CAGE CODE A3 00779	DRAWING NO. -5-2337992-3	RESTRICTED TO
APPLIC. SPEC 108-94694		PRODUCT SPEC	RJ45 JACK MAG. POE 10/100 LED 1x1 INV	
APVD J. DE BRUUN 26NOV2018		NAME	TE Connectivity	
CHK O. WIBORG 26NOV2018		NAME	TE Connectivity	
DWN GANESH C M 26NOV2018		NAME	TE Connectivity	

THIS DRAWING IS A CONTROLLED DOCUMENT.  
 TOLERANCES UNLESS OTHERWISE SPECIFIED:  
 DIMENSIONS: mm [INCHES]  
 MATERIAL:   
 FINISH: 0 PLC, 1 PLC, 2 PLC, 3 PLC, 4 PLG ANGLES ±, ±-, ±-

RANGE	TOLERANCE
>70	±0.40
>40-70	±0.30
>10-40	±0.25
0-10	±0.15

TABLE OF TOLERANCE (mm)



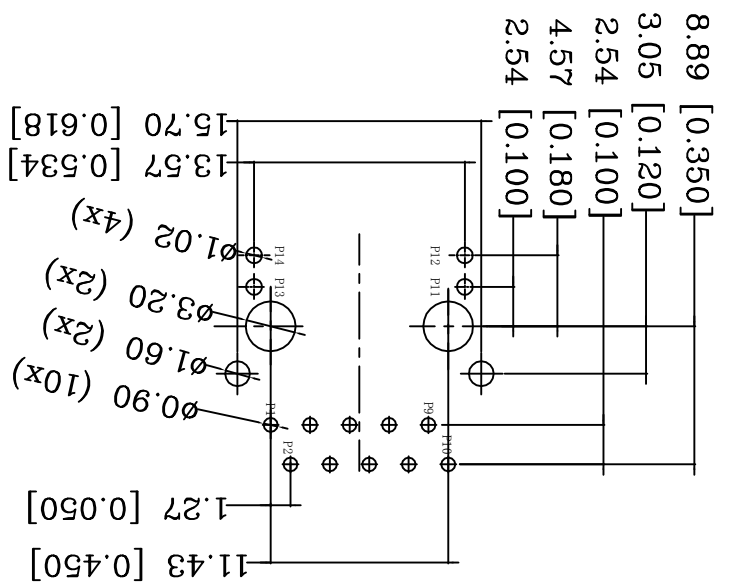
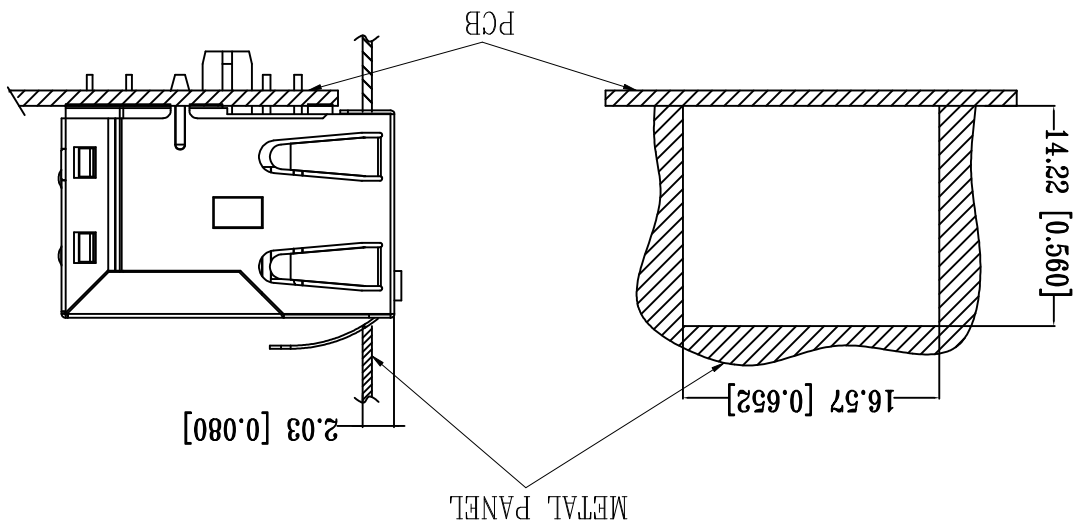
- 1 CONNECTOR MATERIAL: LCP BLACK UL94 V-0
- 2 HOUSING: LCP BLACK UL94 V-0
- 3 INSERT: LCP BLACK UL94 V-0
- 4 SHIELD: BRASS
- 5 SHIELD PLATING: NICKEL
- 6 CONTACT: COPPER ALLOY
- 7 CONTACT PLATING: SELECTIVE GOLD, MIN. 0.76µm (30 µinch) IN CONTACT AREA
- 8 OVER MIN. 1.27µm (50µinch) NICKEL
- 9 SOLDER PIN PLATING: 3.05µm (120µinch) TIN OVER 1.27µm (50µinch) NICKEL OVER ALL
- 10 SHIELDING PIN PLATING: NICKEL
- 11 PIN NOT ELECTRICALLY CONNECTED MAYBE OMITTED SEE ELECTRICAL CIRCUIT DIAGRAM FOR OMITTED PINS
- 12 RJ45 CAVITIES CONFORM TO FCC RULES AND REGULATION PART 68
- 13 THE PART IS RECOMMENDED FOR REFLOW SOLDERING PROCESS PEAK SOLDERING: TEMPERATURE MAX. +260° C, MAX. 10s
- 14 OPERATING TEMPERATURE: T = -40° C TO +85° C
- 15 STORAGE TEMPERATURE: T = -40° C TO +85° C
- 16 UNLESS OTHERWISE SPECIFIED, SEE TABLE FOR ALL DIMENSIONS TOLERANCES
- 17 JACK CONFIGURATION: 1 x 1
- 18 TAB DIRECTION: UP
- 19 PACKAGING: TRAY ACCORDING TO PACKAGING SPECIFICATION 107-18116

REVISIONS	P	LTR	DESCRIPTION	DATE	DWN	APVD
1	A		NEW RELEASE	26NOV2018	GCM	JDB

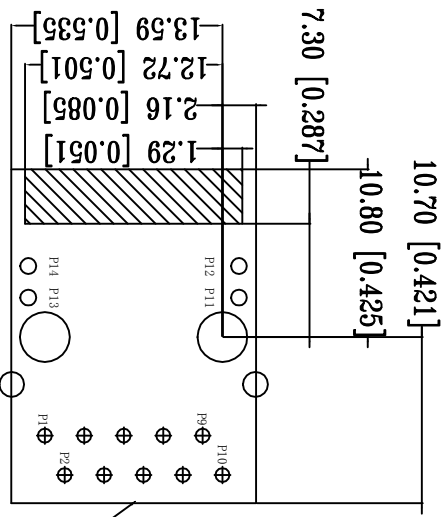
CUSTOMER DRAWING		SCALE 3:1		SHEET 2 OF 3		REV A	
MATERIAL		FINISH		WEIGHT		SIZE	
0 PLC 1 PLC 2 PLC 3 PLC 4 PLG ANGLES		± ± ± ± ± ±		114-94556		A3	
DIMENSIONS: mm [INCHES]		TOLERANCES UNLESS OTHERWISE SPECIFIED:		DRAWING NO		CAGE CODE	
±		±		108-94694		00779	
±		±		APPLICATION SPEC		-5-2337992-3	
±		±		PRODUCT SPEC		RESTRICTED TO	
±		±		APVD		-	
±		±		J. DE BRUJN		26NOV2018	
±		±		NAME		RJ45 JACK MAG. POE 10/100 LED 1x1 INV	
±		±		CHK		26NOV2018	
±		±		O. WIBORG		26NOV2018	
±		±		DWN		26NOV2018	
±		±		GANESH C M		26NOV2018	
±		±		TE Connectivity		-	

THIS DRAWING IS A CONTROLLED DOCUMENT.

UNIT: mm / inch  
TOLERANCES: ±0.10 / 0.004



SUGGESTED PCB LAYOUT



Connector Boundary

REVISIONS	P	LTR	DESCRIPTION	DATE	DWN	APVD
1	-	-	SEE SHEET 1	-	-	-

A

B

C

D

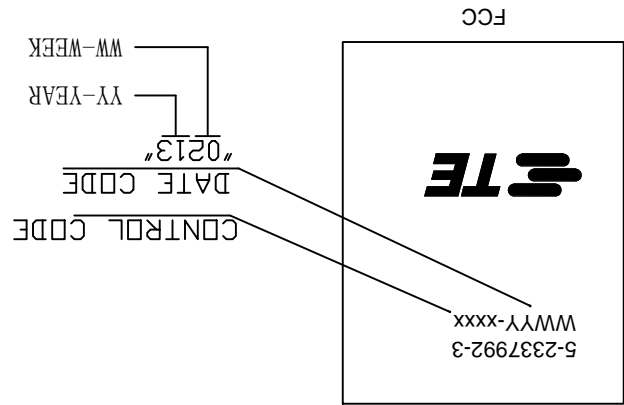
A

B

C

D

CUSTOMER DRAWING		SCALE 3:1		SHEET 3 OF 3		REV A	
MATERIAL		FINISH		WEIGHT		CAGE CODE	
0 PLC 1 PLC 2 PLC 3 PLC 4 PLC		± ± ± ± ±		114-94556		A3 00779	
DIMENSIONS: mm [INCHES]		TOLERANCES UNLESS OTHERWISE SPECIFIED:		APV D		DRAWING NO	
THIS DRAWING IS A CONTROLLED DOCUMENT.		O. WIBORG		26NOV2018		5-2337992-3	
DWN		CHK		NAME		RESTRICTED TO	
GANESH C M		26NOV2018		J. DE BRUJN		—	
26NOV2018		26NOV2018		RJ45 JACK MAG. POE 10/100 LED 1x1 INV		APV D	
TE Connectivity		26NOV2018		PRODUCT SPEC		APV D	
TE Connectivity		26NOV2018		APPLICATION SPEC		APV D	
TE Connectivity		26NOV2018		APPLICATION SPEC		APV D	



1.0 Turn Ratio @100kHz: (P1~P2):(J1~J2) = 1:1±2%  
 (P3~P6):(J3~J6) = 1:1±2%

2.0 Primary Inductance: 350µH MIN. @100kHz, 0.1V 8mA DC BIAS

3.0 DC Resistance: 1.2 OHMS MAX.

4.0 Insertion Loss: 1-100MHz -1.2dB MAX.

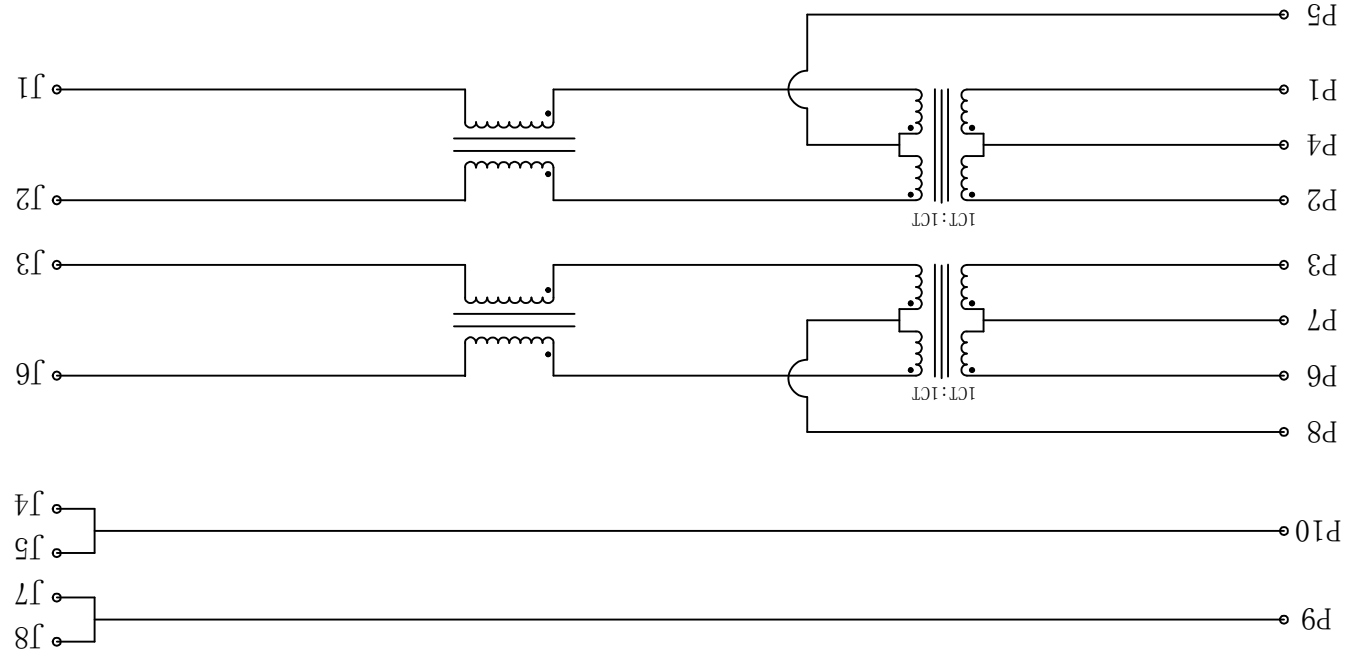
5.0 Return Loss: 1-30MHz -16dB MIN.  
 30-60MHz -12dB MIN.  
 60-80MHz -10dB MIN.

6.0 CROSS TALK: 1-100MHz -27.1dB MIN.

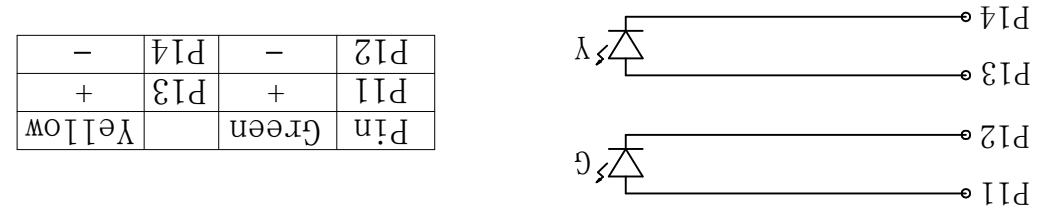
7.0 COMMON TO COMMON MODE ATTENUATION: 1-100MHz -30dB MIN.

8.0 Isolation: PHY Side to Line Side: 500VAC

9.0 DC CURRENT/VOLTAGE RATING-PSE PINS: 720mA @57V(CONTINUOUS)



ELECTRICAL CIRCUIT DIAGRAM



P11	Pin Green	+	P13	+
P12	Pin Yellow	-	P14	-

REVISIONS				
P	LTR	DESCRIPTION	DATE	APV D
1	-	SEE SHEET 1	-	-

## X-ON Electronics

Largest Supplier of Electrical and Electronic Components

*Click to view similar products for [Modular Connectors / Ethernet Connectors](#) category:*

*Click to view products by [TE Connectivity](#) manufacturer:*

Other Similar products are found below :

[RJE231881317T](#) [MP1010RX-1000](#) [MP44RX-1000](#) [GAX-3-66](#) [GAX-8-62](#) [93606-0253](#) [GD-A-44](#) [GDCX-PA-66-50](#) [GDCX-PN-64](#) [GDCX-PN-66](#) [GDCX-PN-66-50](#) [GDLX-A-66](#) [GDLX-A-88](#) [GDLX-N-66](#) [GDLX-S-88K](#) [GDTX-S-88-50](#) [GDX-PA-1010](#) [GLX-N-1010M-BLK](#) [GLX-N-44M](#) [GLX-S-88M-BLK](#) [GMX-N-1010](#) [GMX-S-1010](#) [GMX-S-66](#) [GMX-SMT2-N-1010](#) [GMX-SMT2-N-64-50](#) [GMX-SMT2-S6-88](#) [GMX-SMT4-N-88](#) [GPX-2-64](#) [GRT1-BT1-5](#) [GSGX-N-2-88](#) [GSX-NS2-88-3.05](#) [GSX-NS2-88-3.05-50](#) [GSX-NS-88-3.05-30](#) [GSX-NS-88-3.05-50](#) [GSX-NS-88-3.68](#) [1-1775629-2](#) [GWLX-S-88-GR](#) [GWLX-S9-88-YG](#) [1300500326](#) [1300500227](#) [1300530003](#) [1300570002](#) [1324640-4](#) [RJ11FTVC2G](#) [RJ11FTVC2N](#) [RJFTVX2SA1G](#) [132764-001](#) [1400000](#) [1413176](#) [1413235](#)