

CUSTOMER DRAWING		SCALE 3:1		SHEET 1 OF 3		REV A	
MATERIAL		FINISH		WEIGHT		RESTRICTED TO	
0 PLC 1 PLC 2 PLC 3 PLC 4 PLC		± - ± - ± - ± - ± -		114-94556		—	
DIMENSIONS: mm [INCHES]		TOLERANCES UNLESS OTHERWISE SPECIFIED:		APVD J. DE BRUIJN 26NOV2018		DRAWING NO 2337992-4	
THIS DRAWING IS A CONTROLLED DOCUMENT.		DWN GANESH C M 26NOV2018		CHK O. WIBORG 26NOV2018		CAGE CODE 00779	
TE Connectivity		NAME J. DE BRUIJN		PRODUCT SPEC 108-94694		APPLICATION SPEC 114-94556	
RJ45 JACK MAG. POE 10/100 LED 1x1		APVD J. DE BRUIJN 26NOV2018		SIZE A3		DRAWING NO 2337992-4	

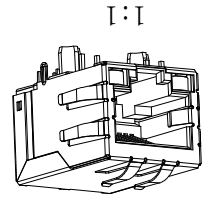
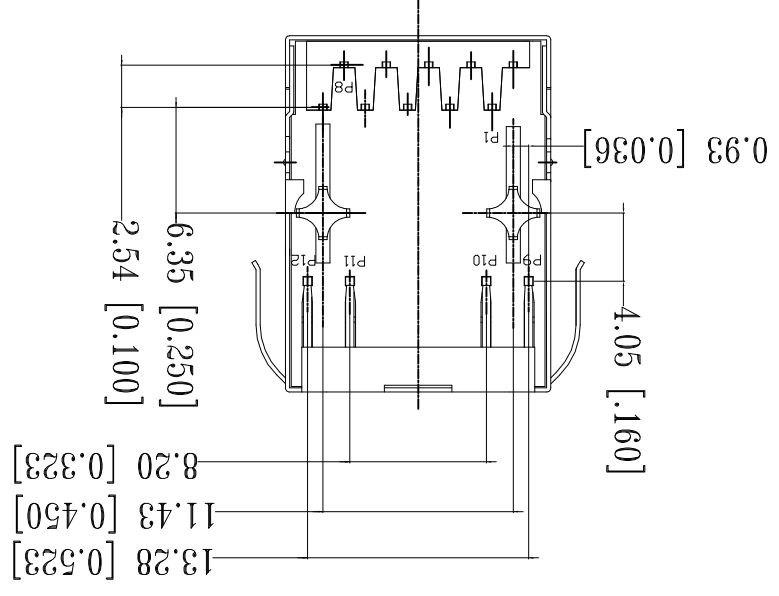
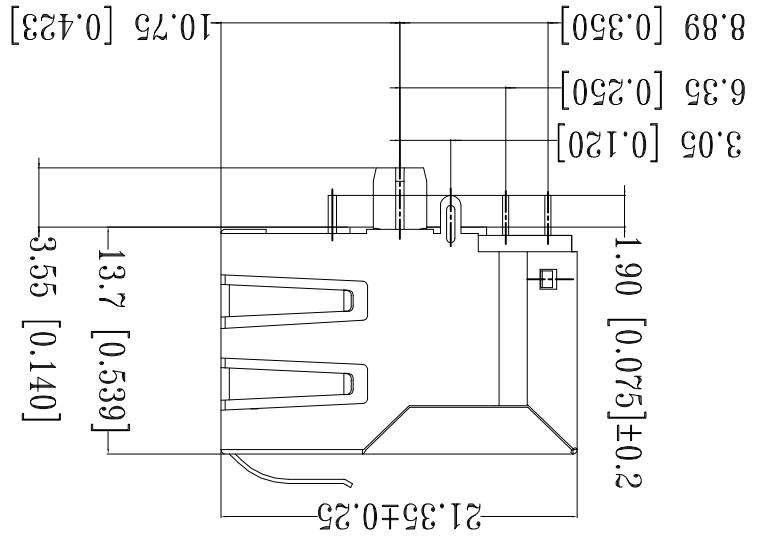
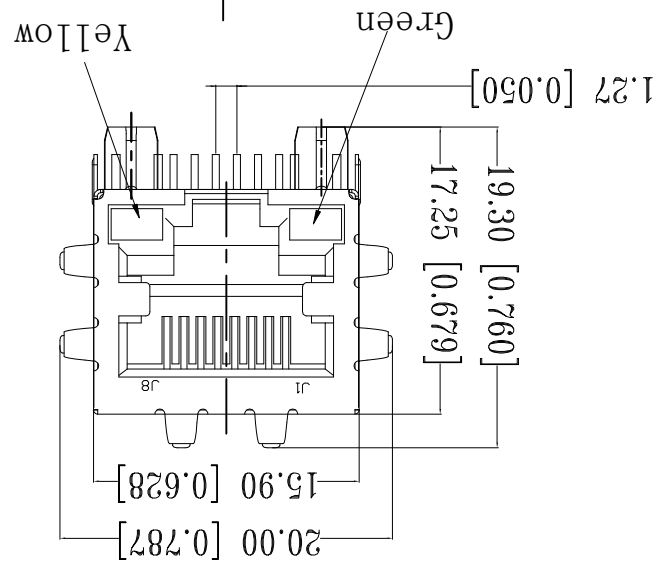
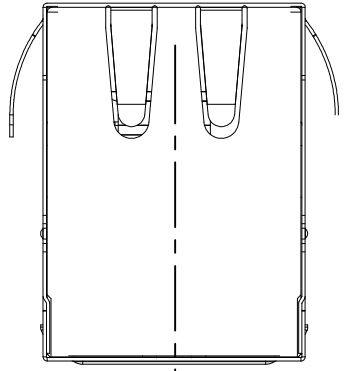


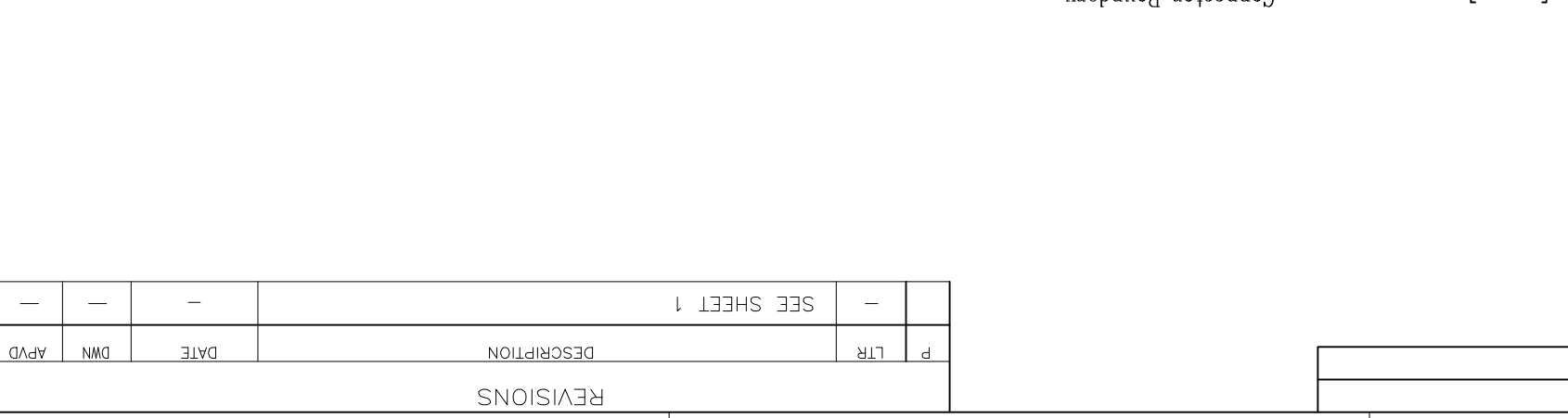
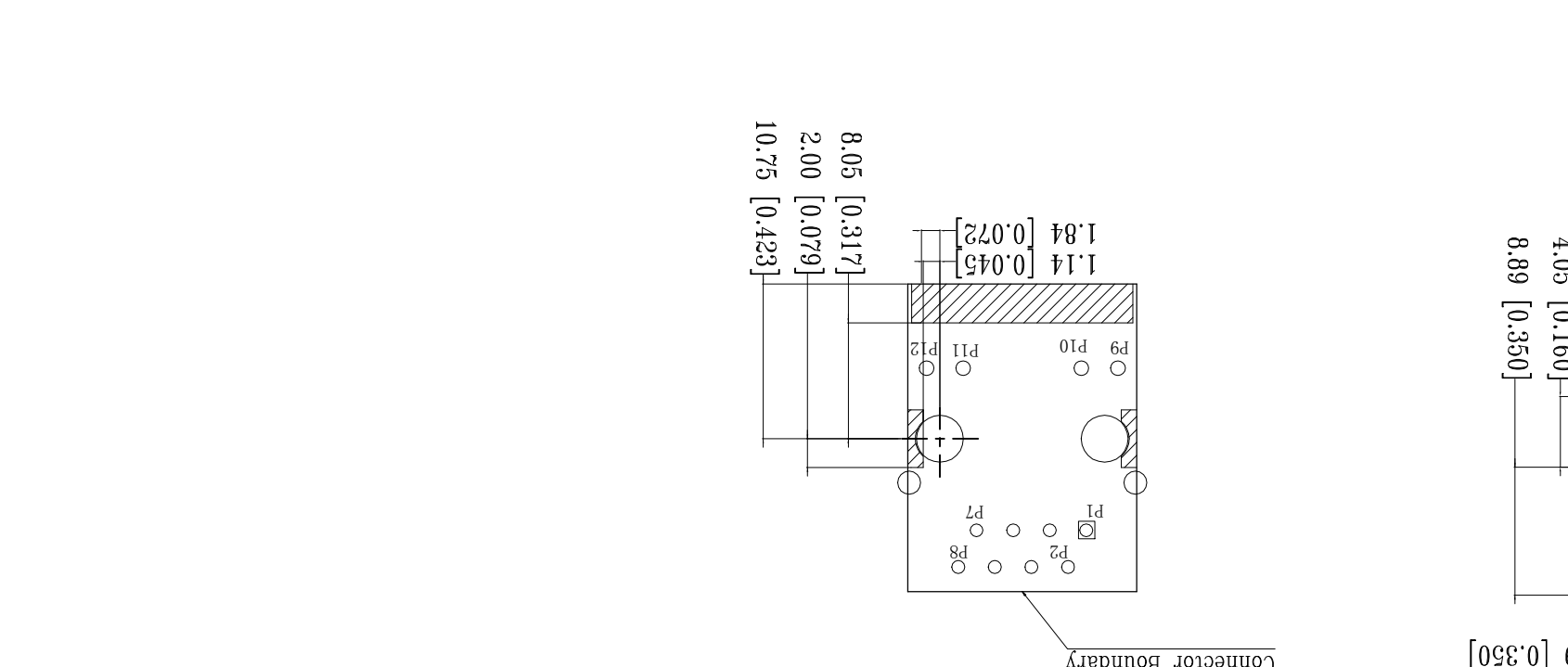
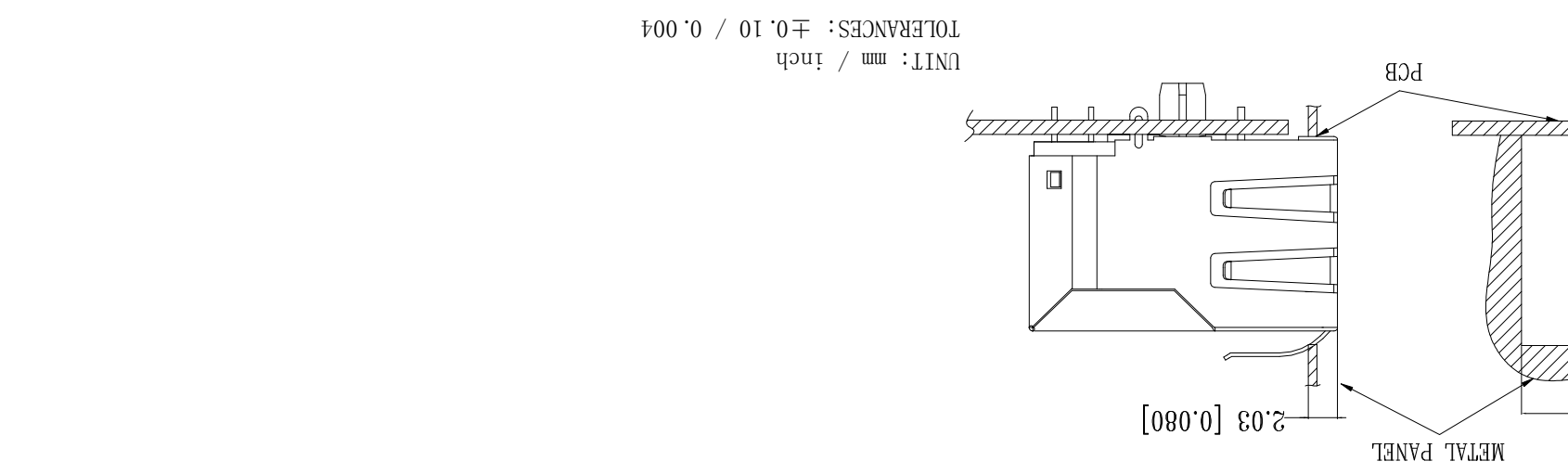
TABLE OF TOLERANCE (mm)

RANGE	TOLERANCE
0-10	±0.15
>10-40	±0.25
>40-70	±0.30
>70	±0.40

- 1 CONNECTOR MATERIAL: LCP BLACK UL94 V-0
- 2 HOUSING: LCP BLACK UL94 V-0
- 3 INSERT: LCP BLACK UL94 V-0
- 4 SHIELD: BRASS
- 5 SHIELD PLATING: NICKEL
- 6 CONTACT: COPPER ALLOY
- 7 CONTACT PLATING: SELECTIVE GOLD, MIN. 0.76µm (30µinch) IN CONTACT AREA
- 8 OVER MIN. 1.27µm (50µinch) NICKEL
- 9 SOLDER PIN PLATING: 3.05µm (120µinch) TIN OVER 1.27µm (50µinch) NICKEL OVER ALL
- 10 SHIELDING PIN PLATING: NICKEL
- 11 PIN NOT ELECTRICALLY CONNECTED MAYBE OMITTED SEE ELECTRICAL CIRCUIT DIAGRAM FOR OMITTED PINS
- 12 RJ45 CAVITIES CONFORM TO FCC RULES AND REGULATION PART 68
- 13 THE PART IS RECOMMENDED FOR REFLOW SOLDERING PROCESS PEAK
- 14 SOLDERING: TEMPERATURE MAX. +260° C, MAX. 10s
- 15 OPERATING TEMPERATURE: T= -40° C TO +85° C
- 16 STORAGE TEMPERATURE: T= -40° C TO +85° C
- 17 UNLESS OTHERWISE SPECIFIED, SEE TABLE FOR ALL DIMENSIONS TOLERANCES
- 18 JACK CONFIGURATION: 1 x 1
- 19 TAB DIRECTION: DOWN
- 20 PACKAGING: TRAY ACCORDING TO PACKAGING SPECIFICATION 107-18116

REVISIONS	P	LTR	DESCRIPTION	DATE	DWN	APVD
NEW RELEASE	A			26NOV2018	GCM	JDB

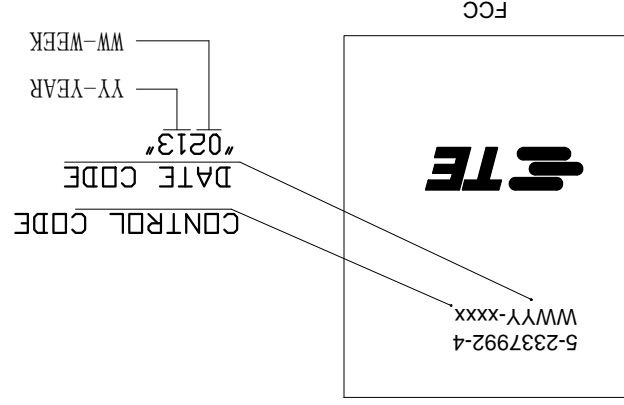
CUSTOMER DRAWING		SCALE 3:1		SHEET 2 of 3		REV A	
WEIGHT 114-94556		SIZE A3		CAGE CODE 00779		DRAWING NO. 5-2337992-4	
FINISH 4 PLC ± -		APPL. SPEC 114-94556		PRODUCT SPEC 108-94694		APPLICATION SPEC 108-94694	
DIMENSIONS: mm [INCHES]		TOLERANCES UNLESS OTHERWISE SPECIFIED:		NAME J. DE BRUIJN		APVD 26NOV2018	
0 PLC ± -		1 PLC ± -		2 PLC ± -		3 PLC ± -	
4 PLC ± -		ANGLES ± -		DWN GANESH C M		CHK O. WIBORG	
26NOV2018		26NOV2018		26NOV2018		TE Connectivity	



SUGGESTED PCB LAYOUT

REV	DESCRIPTION	DATE	DWN	APVD
1	SEE SHEET 1	-	-	-

CUSTOMER DRAWING		SCALE 3:1		SHEET 3 of 3		REV A	
MATERIAL		FINISH		WEIGHT		CAGE CODE	
0 PLC ± - 1 PLC ± - 2 PLC ± - 3 PLC ± - 4 PLC ± -		± - ± - ± - ± - ± -		114-94556		A3 00779	
DIMENSIONS: mm [INCHES]		TOLERANCES UNLESS OTHERWISE SPECIFIED:		APVD		DRAWING NO	
J. DE BRUIJN		O. WIBORG		108-94694		5-2337992-4	
26NOV2018		26NOV2018		PRODUCT SPEC		RESTRICTED TO	
GANESH C M		CHK		APPLICATION SPEC		-	
26NOV2018		26NOV2018		APPLIC. SPEC		-	
DWN		APVD		NAME		RJ45 JACK MAG. POE 10/100 LED 1x1	
THIS DRAWING IS A CONTROLLED DOCUMENT.		APVD		TE Connectivity		-	
GANESH C M		CHK		TE Connectivity		-	
26NOV2018		26NOV2018		TE Connectivity		-	



1.0 Turn Ratio @100kHz: (P1~P2):(J1~J2) = 1:1±2% (P3~P6):(J3~J6) = 1:1±2%

2.0 Primary Inductance: 350µH MIN. @100kHz, 0.1V 8mA DC BIAS

3.0 DC Resistance: 1.2 OHMS MAX.

4.0 Insertion Loss: 1-100MHz -1.2dB MAX.

5.0 Return Loss: 1-30MHz -16dB MIN. 30-60MHz -12dB MIN. 60-80MHz -10dB MIN.

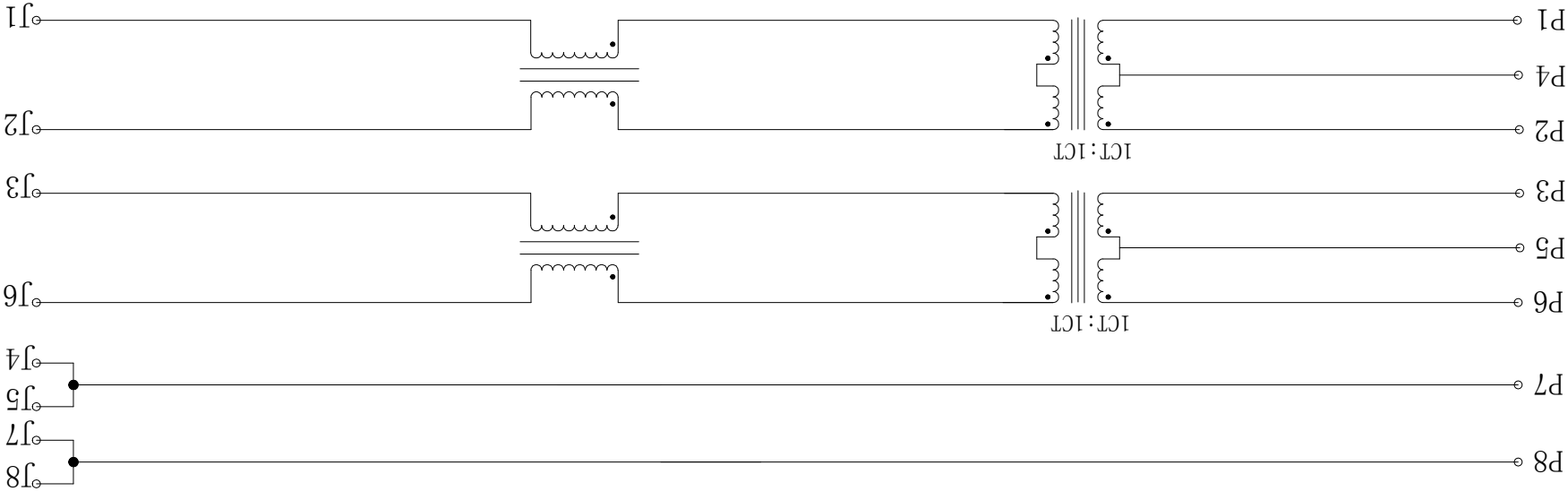
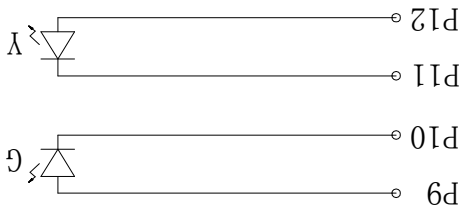
6.0 CROSS TALK: 1-100MHz -27.1dB MIN.

7.0 COMMON TO COMMON MODE ATTENUATION: 1-100MHz -30dB MIN.

8.0 Isolation: PHY Side to Line Side: 2250VDC

9.0 DC CURRENT/VOLTAGE RATING-PSE PINS: 720mA @57V(CONTINUOUS)

P10	-	P12	+
P9	+	P11	-
Pin	Green		Yellow



ELECTRICAL CIRCUIT DIAGRAM

REVISIONS		DESCRIPTION		DATE		DWN		APVD	
P	LTR	SEE SHEET 1	-	-	-	-	-	-	-

X-ON Electronics

Largest Supplier of Electrical and Electronic Components

Click to view similar products for [Modular Connectors / Ethernet Connectors](#) category:

Click to view products by [TE Connectivity](#) manufacturer:

Other Similar products are found below :

[RJE231881317T](#) [MP1010RX-1000](#) [MP44RX-1000](#) [GAX-3-66](#) [GAX-8-62](#) [93606-0253](#) [GD-A-44](#) [GDCX-PA-66-50](#) [GDCX-PN-64](#) [GDCX-PN-66](#) [GDCX-PN-66-50](#) [GDLX-A-66](#) [GDLX-A-88](#) [GDLX-N-66](#) [GDLX-S-88K](#) [GDTX-S-88-50](#) [GDX-PA-1010](#) [GLX-N-1010M-BLK](#) [GLX-N-44M](#) [GLX-S-88M-BLK](#) [GMX-N-1010](#) [GMX-S-1010](#) [GMX-S-66](#) [GMX-SMT2-N-1010](#) [GMX-SMT2-N-64-50](#) [GMX-SMT2-S6-88](#) [GMX-SMT4-N-88](#) [GPX-2-64](#) [GRT1-BT1-5](#) [GSGX-N-2-88](#) [GSX-NS2-88-3.05](#) [GSX-NS2-88-3.05-50](#) [GSX-NS-88-3.05-30](#) [GSX-NS-88-3.05-50](#) [GSX-NS-88-3.68](#) [1-1775629-2](#) [GWLX-S-88-GR](#) [GWLX-S9-88-YG](#) [1300500326](#) [1300500227](#) [1300530003](#) [1300570002](#) [1324640-4](#) [RJ11FTVC2G](#) [RJ11FTVC2N](#) [RJFTVX2SA1G](#) [132764-001](#) [1400000](#) [1413176](#) [1413235](#)