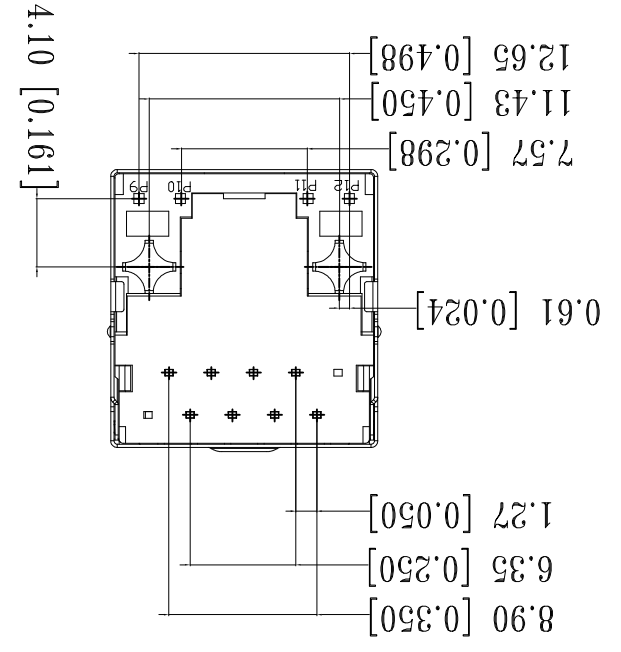
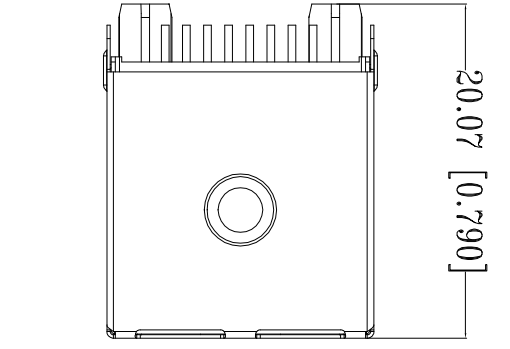
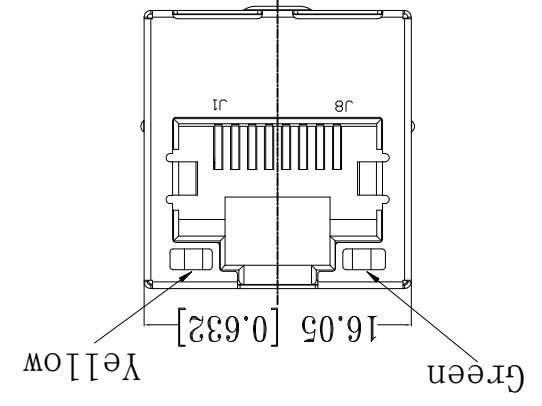
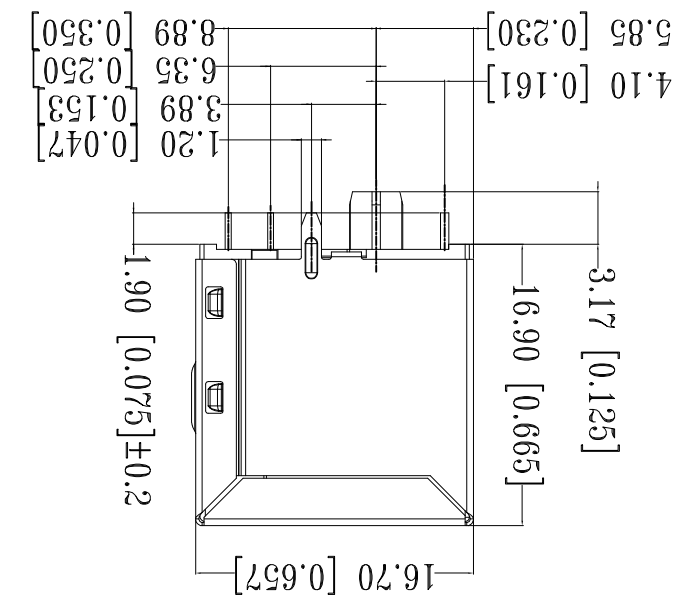
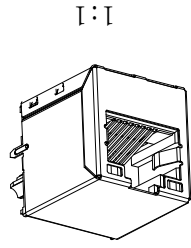


THIS DRAWING IS A CONTROLLED DOCUMENT.		DWN GANESH C M 26NOV2018		CHK O. WIBORG 26NOV2018		APVD J. DE BRUIJN 26NOV2018		NAME		RJ45 JACK MAG. POE 10/100 LED 1x1 VERT	
DIMENSIONS: mm [INCHES]		TOLERANCES UNLESS OTHERWISE SPECIFIED:		0 PLC ±		1 PLC ±		2 PLC ±		3 PLC ±	
MATERIAL		FINISH		4 PLC ±		ANGLES ±		WEIGHT		114-94556	
APPLIC. SPEC		PRODUCT SPEC		108-94694		APPLICATION SPEC		CAGE CODE		A3 00779	
DRAWING NO		DRAWING NO		5-2337993-2		SCALE		SHEET		3:1 1 OF 3	
REV		REV		A		CUSTOMER DRAWING		REV		A	

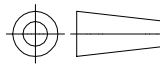
TABLE OF TOLERANCE (mm)	
RANGE	TOLERANCE
0-10	±0.15
>10-40	±0.25
>40-70	±0.30
>70	±0.40



CONNECTOR MATERIAL: LCP BLACK UL94 V-0
 HOUSING: LCP BLACK UL94 V-0
 INSERT: LCP BLACK UL94 V-0
 SHIELD: BRASS
 SHIELD PLATING: NICKEL
 CONTACT: COPPER ALLOY
 CONTACT PLATING: SELECTIVE GOLD, MIN. 0.76µm (30µinch) IN CONTACT AREA
 OVER MIN. 1.27µm (50µinch) NICKEL
 SOLDER PIN PLATING: 3.05µm (120µinch) TIN OVER 1.27µm (50µinch) NICKEL
 OVER ALL
 SHIELDING PIN PLATING: NICKEL
 2 PIN NOT ELECTRICALLY CONNECTED MAYBE OMITTED SEE ELECTRICAL CIRCUIT DIAGRAM FOR OMITTED PINS
 3 RJ45 CAVITIES CONFORM TO FCC RULES AND REGULATION PART 68
 4 THE PART IS RECOMMENDED FOR REFLOW SOLDERING PROCESS PEAK SOLDERING: TEMPERATURE MAX. +260° C, MAX. 10s
 5 OPERATING TEMPERATURE: T= -40° C TO +85° C
 6 STORAGE TEMPERATURE: T= -40° C TO +85° C
 7 UNLESS OTHERWISE SPECIFIED, SEE TABLE FOR ALL DIMENSIONS TOLERANCES
 8 JACK CONFIGURATION: 1 x 1
 9 TAB DIRECTION: UP
 PACKAGING: TRAY ACCORDING TO PACKAGING SPECIFICATION 107-18116

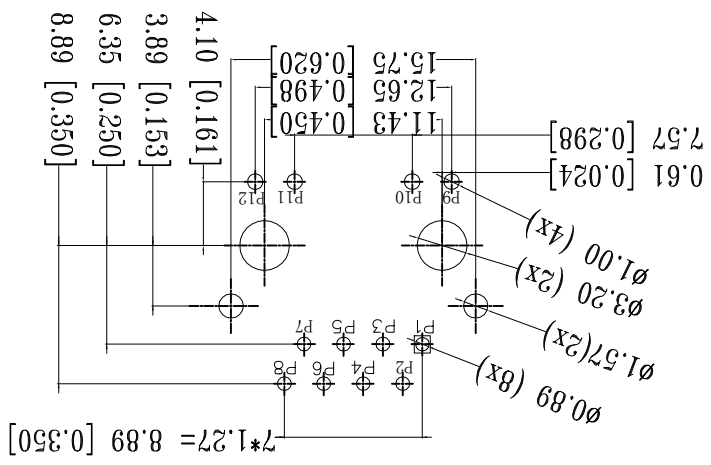
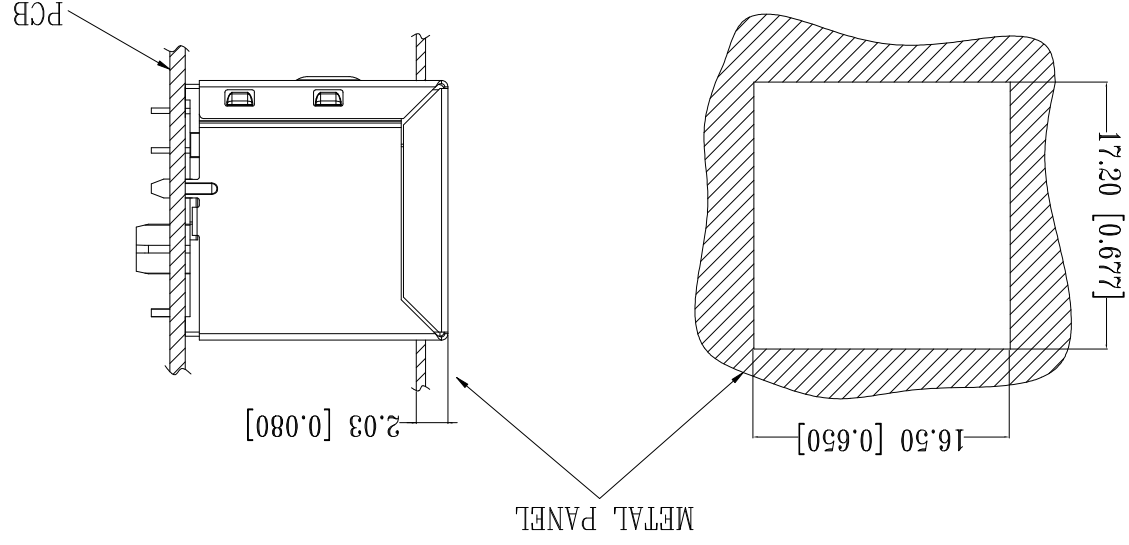


P	LTR	DESCRIPTION	DATE	DWN	APVD
A		NEW RELEASE	26NOV2018	GCM	JDB

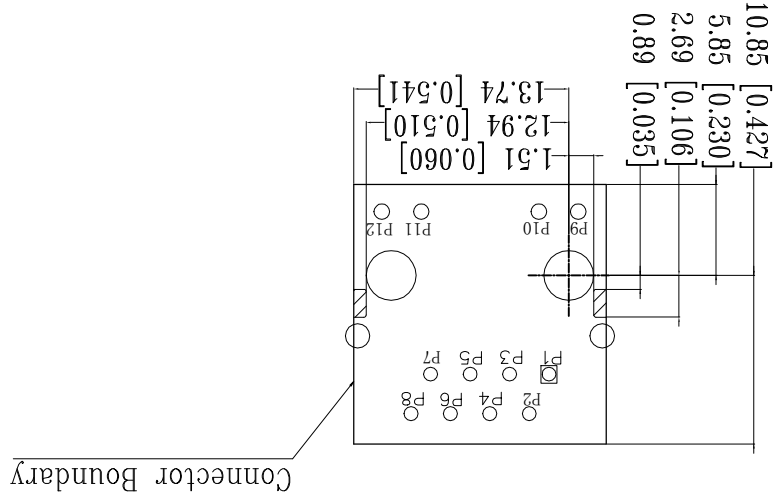
THIS DRAWING IS A CONTROLLED DOCUMENT. TOLERANCES UNLESS OTHERWISE SPECIFIED:		DIMENSIONS: mm [INCHES]	
DWN GANESH C M 26NOV2018 CHK O. WIBORG 26NOV2018 APVD J. DE BRUIJN 26NOV2018 NAME R445 JACK MAG. POE 10/100 LED 1x1 VERT		MATERIAL: 	
FINISH ANGLE: 0 PLC ± - 1 PLC ± - 2 PLC ± - 3 PLC ± - 4 PLC ± -		WEIGHT: 114-94556 APPLICATION SPEC: 108-94694 PRODUCT SPEC:	
CUSTOMER DRAWING		SCALE: 3:1 SHEET: 2 of 3 REV: A	



UNIT: mm / inch
 TOLERANCES: ±0.10 / 0.004



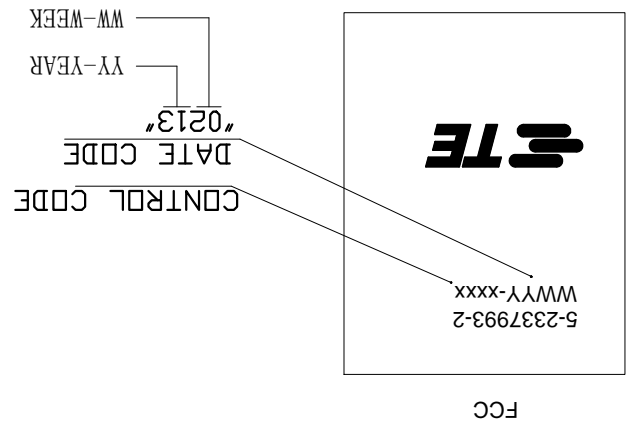
SUGGESTED PCB LAYOUT



Connector Boundary

P	LTR	DESCRIPTION	DATE	DWN	APVD
-	-	SEE SHEET 1	-	-	-

CUSTOMER DRAWING		SCALE 3:1		SHEET 3 OF 3		REV A	
MATERIAL		FINISH		WEIGHT		RESTRICTED TO	
0 PLC ± -		4 PLG ± -		114-94556		—	
1 PLC ± -		3 PLG ± -		108-94694		DRAWING NO	
2 PLC ± -		2 PLG ± -		APPLIC. SPEC		CAGE CODE	
3 PLC ± -		1 PLG ± -		PRODUCT SPEC		SIZE	
4 PLG ± -		0 PLG ± -		APVD J. DE BRUIJN		A3	
TOLERANCES UNLESS OTHERWISE SPECIFIED:		DIMENSIONS: mm [INCHES]		NAME		DRAWING NO	
THIS DRAWING IS A CONTROLLED DOCUMENT.		DWN GANESH C M		26NOV2018		00779	
CHK O. WIBORG		26NOV2018		APVD J. DE BRUIJN		5-2337993-2	
TE Connectivity		26NOV2018		NAME		R445 JACK MAG. POE 10/100 LED 1x1 VERT	



1.0 Turn Ratio @100kHz: (P1~P3):(J1~J2) = 1:1±2% (P4~P6):(J3~J6) = 1:1±2%

2.0 Primary Inductance: 350µH MIN. @100kHz, 0.1V 8mA DC BIAS

3.0 DC Resistance: 1.2 OHMS MAX.

4.0 Insertion Loss: 1-100MHz -1.2dB MAX.

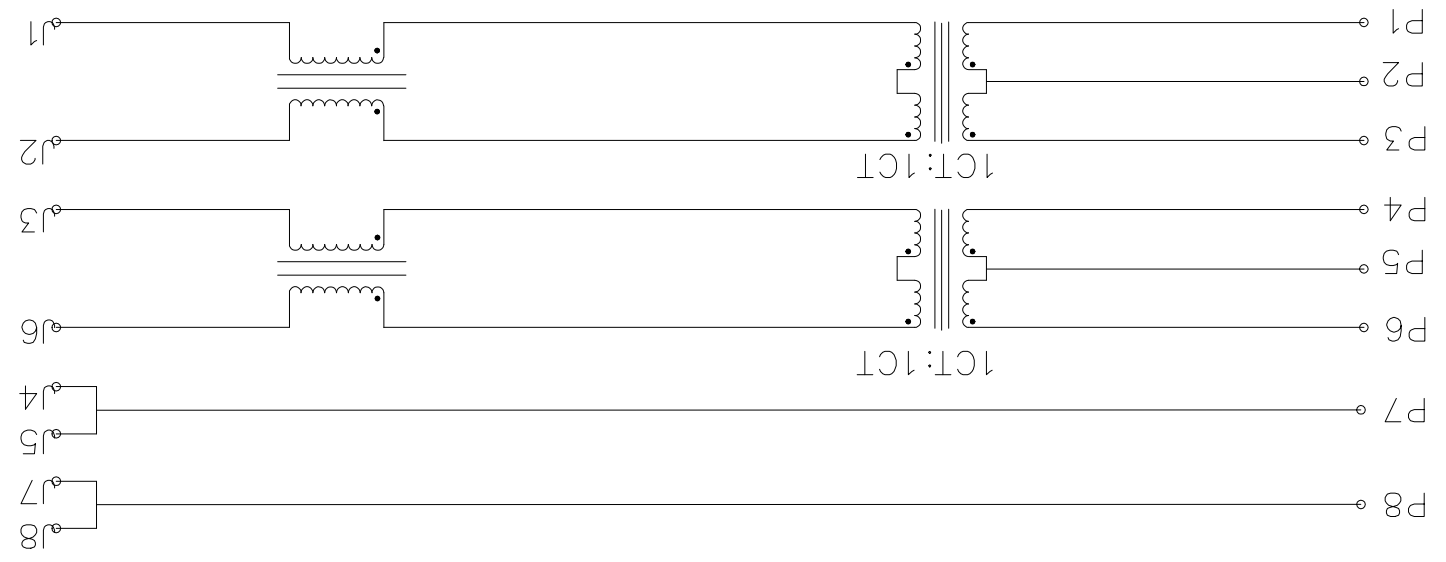
5.0 Return Loss: 1-30MHz -16dB MIN. 30-60MHz -12dB MIN. 60-80MHz -10dB MIN.

6.0 GROSS TALK: 1-100MHz -27.1dB MIN.

7.0 COMMON TO COMMON MODE ATTENUATION: 1-100MHz -30dB MIN.

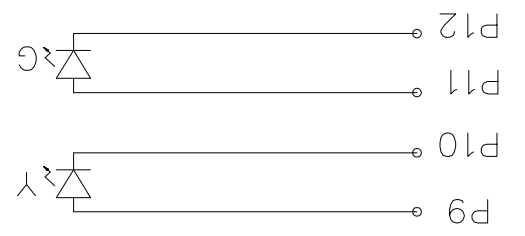
8.0 Isolation: PHY Side to Line Side: 2250VDC

9.0 DC CURRENT/VOLTAGE RATING-PSE PINS: 720mA @57V(CONTINUOUS)



ELECTRICAL CIRCUIT DIAGRAM

P10	-	P12	-
P9	+	P11	+
P1n	Yellow		Green



REVISIONS	P	LTR	DESCRIPTION	DATE	DWN	APVD
SEE SHEET 1	-	-	SEE SHEET 1	-	-	-

X-ON Electronics

Largest Supplier of Electrical and Electronic Components

Click to view similar products for [Modular Connectors / Ethernet Connectors](#) category:

Click to view products by [TE Connectivity](#) manufacturer:

Other Similar products are found below :

[RJE231881317T](#) [MP1010RX-1000](#) [MP44RX-1000](#) [GAX-3-66](#) [GAX-8-62](#) [93606-0253](#) [GD-A-44](#) [GDCX-PA-66-50](#) [GDCX-PN-64](#) [GDCX-PN-66](#) [GDCX-PN-66-50](#) [GDLX-A-66](#) [GDLX-A-88](#) [GDLX-N-66](#) [GDLX-S-88K](#) [GDTX-S-88-50](#) [GDX-PA-1010](#) [GLX-N-1010M-BLK](#) [GLX-N-44M](#) [GLX-S-88M-BLK](#) [GMX-N-1010](#) [GMX-S-1010](#) [GMX-S-66](#) [GMX-SMT2-N-1010](#) [GMX-SMT2-N-64-50](#) [GMX-SMT2-S6-88](#) [GMX-SMT4-N-88](#) [GPX-2-64](#) [GRT1-BT1-5](#) [GSGX-N-2-88](#) [GSX-NS2-88-3.05](#) [GSX-NS2-88-3.05-50](#) [GSX-NS-88-3.05-30](#) [GSX-NS-88-3.05-50](#) [GSX-NS-88-3.68](#) [1-1775629-2](#) [GWLX-S-88-GR](#) [GWLX-S9-88-YG](#) [1300500326](#) [1300500227](#) [1300530003](#) [1300570002](#) [1324640-4](#) [RJ11FTVC2G](#) [RJ11FTVC2N](#) [RJFTVX2SA1G](#) [132764-001](#) [1400000](#) [1413176](#) [1413235](#)