

THIS DRAWING IS UNPUBLISHED.

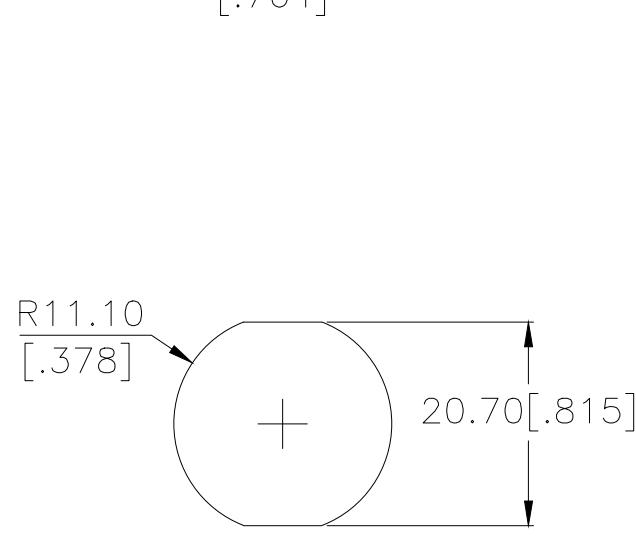
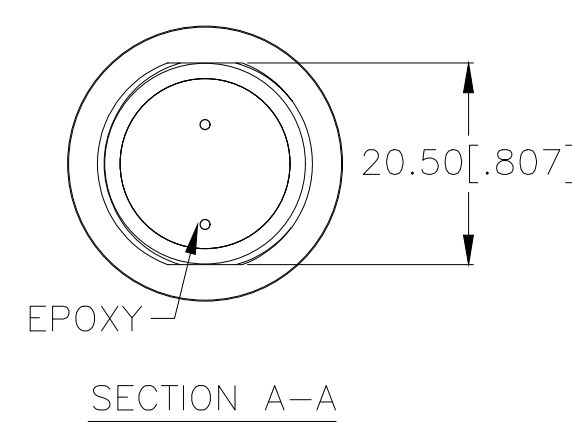
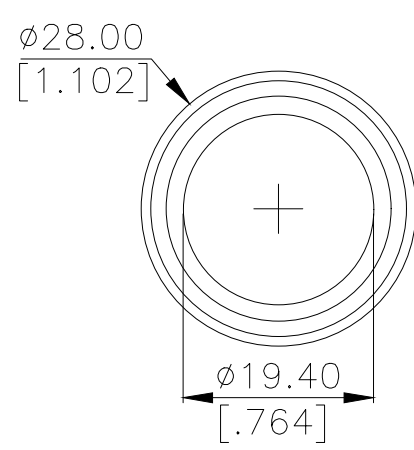
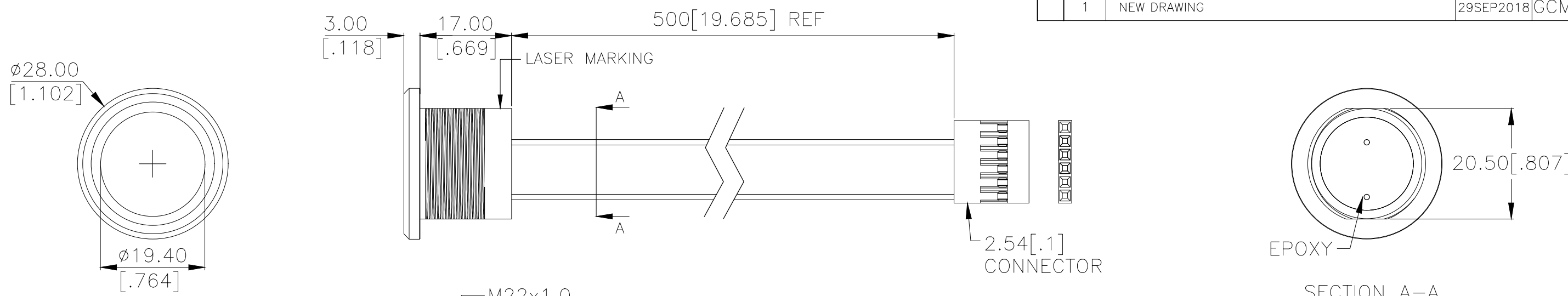
RELEASED FOR PUBLICATION

REVISIONS

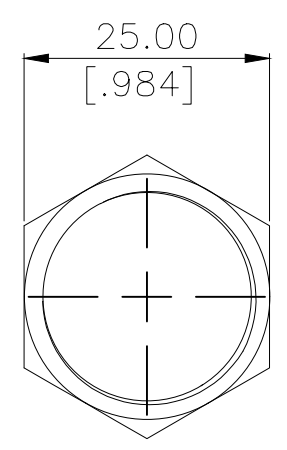
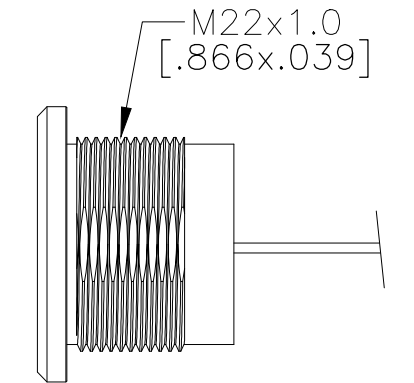
© COPYRIGHT - TE Connectivity Ltd.

ALL RIGHTS RESERVED.

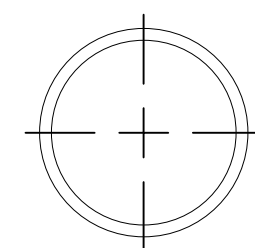
P	LTR	DESCRIPTION	DATE	DWN	APVD
1		NEW DRAWING	29SEP2018	GCM	AS



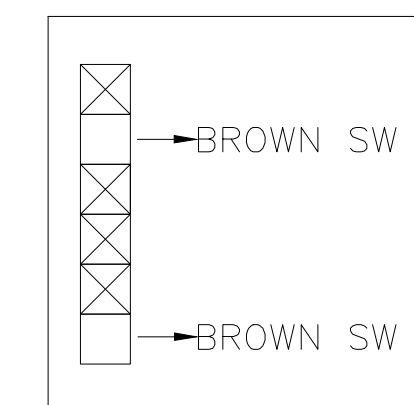
PANEL CUTOUT
MAX.PANEL THICKNESS: 10[.394]



HEX NUT



O-RING



APPLICATION DIAGRAM

PRELIMINARY

THIS DRAWING IS A CONTROLLED DOCUMENT.		DWN	29SEP2018		PRELIMINARY	TE Connectivity Ltd.										
DIMENSIONS: mm [INCHES]		CHK	29SEP2018			SWITCH,AV,PIEZO,22mm,CONCAVE BTN, NO LED,LEADED W/ 1x6 REC										
TOLERANCES UNLESS OTHERWISE SPECIFIED:		APVD	29SEP2018													
<table border="0"> <tr><td>0 PLC</td><td>± -</td></tr> <tr><td>1 PLC</td><td>± -</td></tr> <tr><td>2 PLC</td><td>± -</td></tr> <tr><td>3 PLC</td><td>± -</td></tr> <tr><td>4 PLC</td><td>± -</td></tr> <tr><td>ANGLES</td><td>± -</td></tr> </table>		0 PLC	± -	1 PLC		± -	2 PLC	± -	3 PLC	± -	4 PLC	± -	ANGLES	± -	PRODUCT SPEC	NAME
0 PLC	± -															
1 PLC	± -															
2 PLC	± -															
3 PLC	± -															
4 PLC	± -															
ANGLES	± -															
MATERIAL		FINISH		SIZE	CAGE CODE	DRAWING NO	RESTRICTED TO									
-		-		A3	00779	C=2342844	-									
CUSTOMER DRAWING				SCALE	NTS	SHEET	1 OF 2									
				REV	1											

THIS DRAWING IS UNPUBLISHED. RELEASED FOR PUBLICATION
 © COPYRIGHT - TE Connectivity Ltd. ALL RIGHTS RESERVED.

REVISIONS					
P	LTR	DESCRIPTION	DATE	DWN	APVD
-	-	SEE SHEET 1	-	-	-


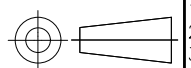
NOTES:

1. SPECIFICATIONS:
 1. OPERATING LIFE: 50 MILLION CYCLE MIN.
 2. CONTACT RESISTANCE: 1Ω MAX.
 3. OPERATING TEMPERATURE: -20°C to 65°C
2. MATERIAL:
 1. SEALING: SILICONE, EPOXY
 2. O-RING: SILICONE
 3. HEX NUT: NICKEL PLATED BRASS
3. PACKAGING:

SWITCH ASSEMBLIES ARE INDIVIDUALLY BUNDLED.
 HARDWARE IS NOT ASSEMBLED TO THE SWITCHED.
4. COMPLIANCE:

ALL MATERIALS AND FINISHES SHALL COMPLY WITH EU DIRECTIVE
 2002/95/EC OF 27 JAN2003(ROHS).
5. HARDWARE IS SHIPPED UNASSEMBLED.

STAINLESS STEEL 316	NO LED	MOMENTARY	AVP22MS16C000T5A04	2342844-4
STAINLESS STEEL 304	NO LED	MOMENTARY	AVP22MS04C000T5A04	2342844-3
ALUMINUM, BLACK ANODIZED	NO LED	MOMENTARY	AVP22MAIBC000T5A04	2342844-2
ALUMINUM	NO LED	MOMENTARY	AVP22MAIOC000T5A04	2342844-1
BUSHING MATERIAL	LED COLOR	CONTACT CONFIGURATION	TE SMART PART NUMBER	PART NUMBER

THIS DRAWING IS A CONTROLLED DOCUMENT.		DWN GANESH C M 29SEP2018	 TE Connectivity Ltd.		
DIMENSIONS: mm [INCHES]		CHK ALEXANDER SHARPE 29SEP2018			
		APVD ALEXANDER SHARPE 29SEP2018	RESTRICTED TO		
TOLERANCES UNLESS OTHERWISE SPECIFIED:		PRODUCT SPEC	SIZE		
0 PLC ± -		APPLICATION SPEC	CAGE CODE		
1 PLC ± -		WEIGHT	DRAWING NO		
2 PLC ± -		CUSTOMER DRAWING	2342844		
3 PLC ± -		SCALE	SHEET		
4 PLC ± -		NTS	2 of 2		
ANGLES ± -		REV	1		
MATERIAL	FINISH				
-	-				

PRELIMINARY

X-ON Electronics

Largest Supplier of Electrical and Electronic Components

Click to view similar products for [DIN Rail Terminal Blocks](#) category:

Click to view products by [TE Connectivity](#) manufacturer:

Other Similar products are found below :

[1045932](#) [00110420202](#) [00110430402](#) [5724.2/L](#) [592808-3](#) [CTS25U/BL](#) [CTS2.5U-N/Y](#) [90.080](#) [91.010](#) [91.040](#) [DP25-GY-ND](#) [15288](#) [90.070](#)
[90.202](#) [90.905](#) [91.001](#) [91.020](#) [91.201](#) [91.340](#) [2713793](#) [280-331](#) [283-317](#) [283-607](#) [2909044](#) [2909798](#) [29-2052](#) [SRT2-OD08CL-1](#)
[CDL4U\(E\)MOV](#) [2757801](#) [2794660](#) [284-317](#) [2890975](#) [2907033](#) [3048496](#) [CTS2.5U-N/O](#) [5542152](#) [5602077](#) [0709880](#) [5520682](#) [5607102](#)
[EPUSC](#) [SRT2-OD16P](#) [2901288](#) [591620-2](#) [1-591651-1](#) [NRA37-1/2](#) [592814-1](#) [592814-3](#) [SRT2-ID16P](#) [NRA37-12](#)