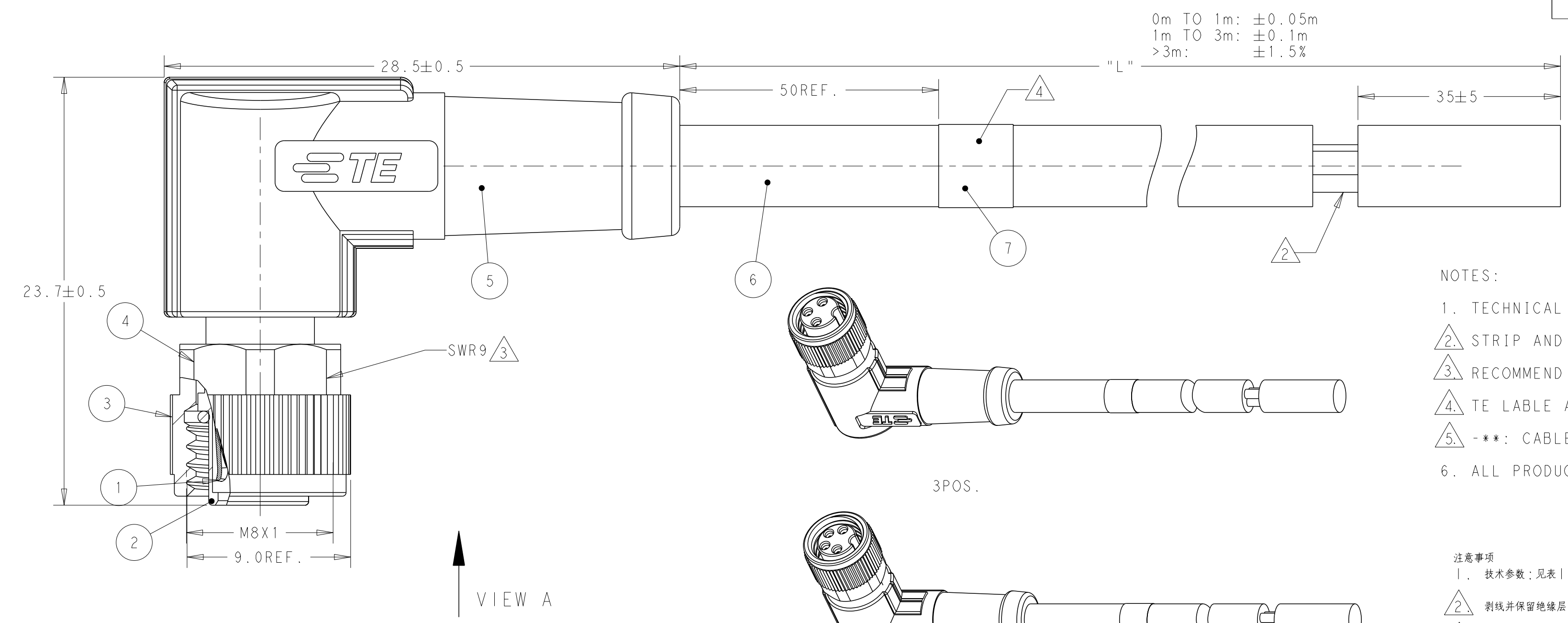


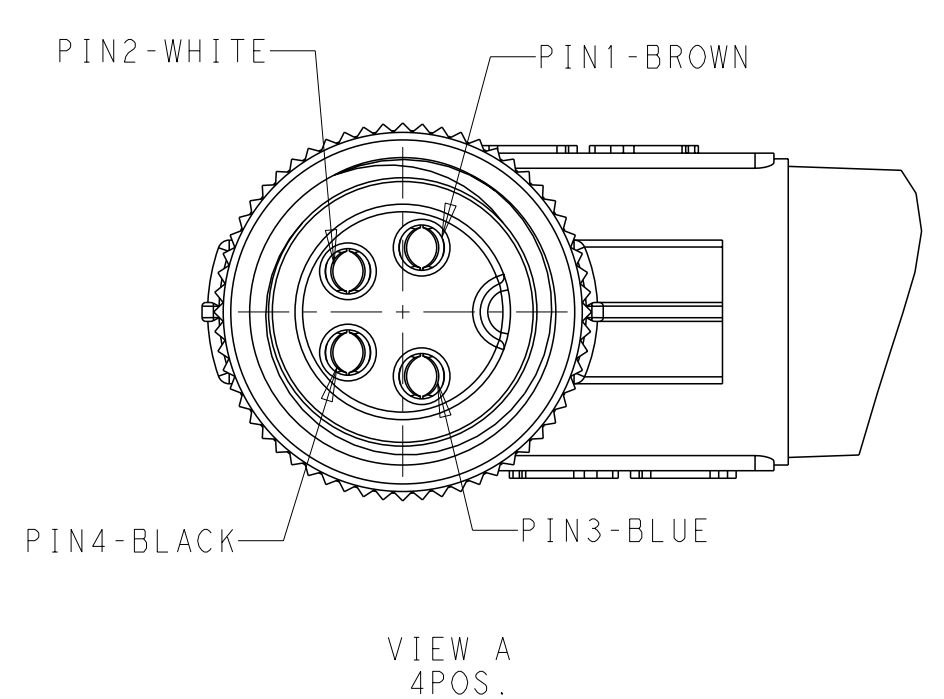
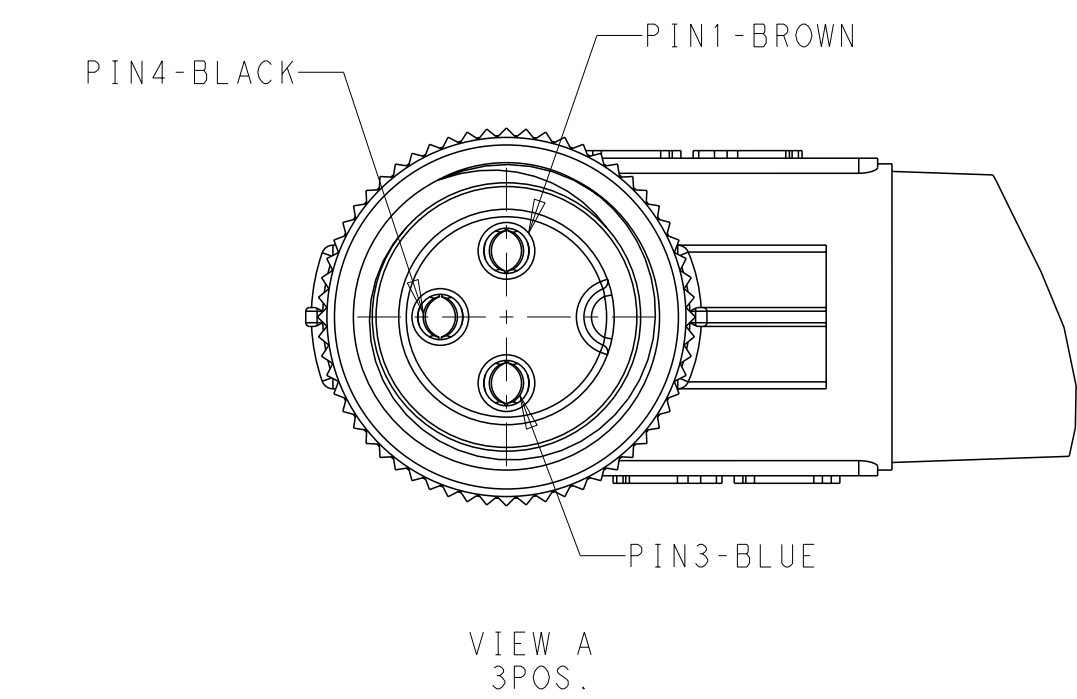
THIS DRAWING IS UNPUBLISHED. RELEASED FOR PUBLICATION 20  
 © COPYRIGHT 20 BY - ALL RIGHTS RESERVED.

REVISIONS				
P	LTR	DESCRIPTION	DATE	APVD
A		INITIAL RELEASE	18JAN2016	N.P X.X
A1		PER ECR-16-010253	21JUL2016	N.P X.X



- NOTES:
1. TECHNICAL DATA: SEE TABLE 1
  2. STRIP AND RETAIN THE INSULATION
  3. RECOMMEND TORQUE 0.4Nm
  4. TE LABEL AREA.
  5. -\*\* : CABLE LENGHT. -0.5:0.5m, -1.0:1.0m, -1.5:1.5m...
  6. ALL PRODUCT MUST COMPLIANCE WITH ROHS AND REACH.

- 注意事项
1. 技术参数：见表1
  2. 剥线并保留绝缘层；
  3. 推荐扭矩0.4Nm；
  4. TE 标签位置；
  5. -\*\*线长：-0.5:0.5m, -1.0:1.0m, -1.5:1.5m
  6. 产品必须符合ROHS与REACH。



ITEM	DESCRIPTION	QUANTITY	ITEM
7	TE LABEL	7	
6	CABLE	6	
5	POLYURETHANE OVER-MOLDING	5	BLUE COLOR
4	COUPLING NUT	4	COPPER ALLOY
3	O-RING	3	RUBBER
2	HOUSING	2	PA66
1	CONTACT	1	COPPER ALLOY
	COMMENTS		

CABLE CHARACTERISTIC	LENGTH "L"	CABLE TEMP. RANGE	JACKET COLOR	JACKET MATERIAL	TYPE	POS.	PART NUMBER
WIRES: 0.25mm <sup>2</sup> (24AWG)	STANDARD: -001: 0.5m -002: 1.0m -003: 1.5m -004: 3.0m -005: 5.0m -006: 7.0m -007: 10.0m CUSTOMIZATION: -**0:**.0m -**1:**.5m	FIXED: -40°C~80°C FLXIBLE: -25°C~80°C	GRAY	PUR (UL)	RPC-M8-FR-4CON-PUR-**5	4	T4051420004-00X
					RPC-M8-FR-3CON-PUR-**5	3	T4051420003-00X
		FIXED: -10°C~80°C FLXIBLE: -5°C~80°C	BLACK	PVC (UL)	RPC-M8-FR-4CON-PVC-**5	4	T4051410004-00X
					RPC-M8-FR-3CON-PVC-**5	3	T4051410003-00X

TABLE 1

TECHNICAL DATA	T40514X0003-00X	T40514X0004-00X
RATED VOLTAGE	60V	30V
RATED CURRENT		3A
POLLUTION DEGREE		3
OVERVOLTAGE CATEGORY		II
MATERIAL GROUP		II
DEGREE OF PROTECTION		IP67

THIS DRAWING IS A CONTROLLED DOCUMENT.

DIMENSIONS: mm	TOLERANCES UNLESS OTHERWISE SPECIFIED:	DWN: Nick Pan 09DEC2015	TE Connectivity
		CHK: Kobby Zhao 09DEC2015	
		APVD: Xiang Xu 09DEC2015	
		PRODUCT SPEC: 108-106140	
MATERIAL: TBD		APPLICATION SPEC: -	NAME: M8 CABLE ASSEMBLY SINGLE ENDED FEMALE SIDE, UNSHIELDED
		WEIGHT: -	SIZE: A2
		CUSTOMER DRAWING	CAGE CODE: -
			DRAWING NO: C-T40514X000X00X
			RESTRICTED TO: -
			SCALE: 1:1
			SHEET: 1 OF 1
			REV: A1

## X-ON Electronics

Largest Supplier of Electrical and Electronic Components

*Click to view similar products for [Sensor Cables / Actuator Cables](#) category:*

*Click to view products by [TE Connectivity](#) manufacturer:*

Other Similar products are found below :

[1300070444](#) [43-10984](#) [M83513/19-F01CP](#) [704000D02F120](#) [MDM15SH001K](#) [MDM25PH003BF222](#) [802027107404-1](#) [885030A09M010](#)  
[885030A09M020](#) [1200650174](#) [1200651332](#) [1200651713](#) [1200660171](#) [1200660208](#) [1200660343](#) [1200660804](#) [1200660845](#) [1200660926](#)  
[1200660977](#) [1200661173](#) [1200661354](#) [120066-1712](#) [1200720053](#) [1200720099](#) [1200720153](#) [1200720172](#) [1200720217](#) [1200720226](#)  
[1200720251](#) [1200720285](#) [1200720296](#) [1200720404](#) [1200730148](#) [1200730378](#) [1200800231](#) [1200860112](#) [1200860121](#) [1200860125](#)  
[1200860337](#) [1200860365](#) [1200860420](#) [1200870046](#) [1200870123](#) [1200870248](#) [1200980102](#) [1200660181](#) [1200660183](#) [1200660827](#)  
[1200660849](#) [1200661170](#)