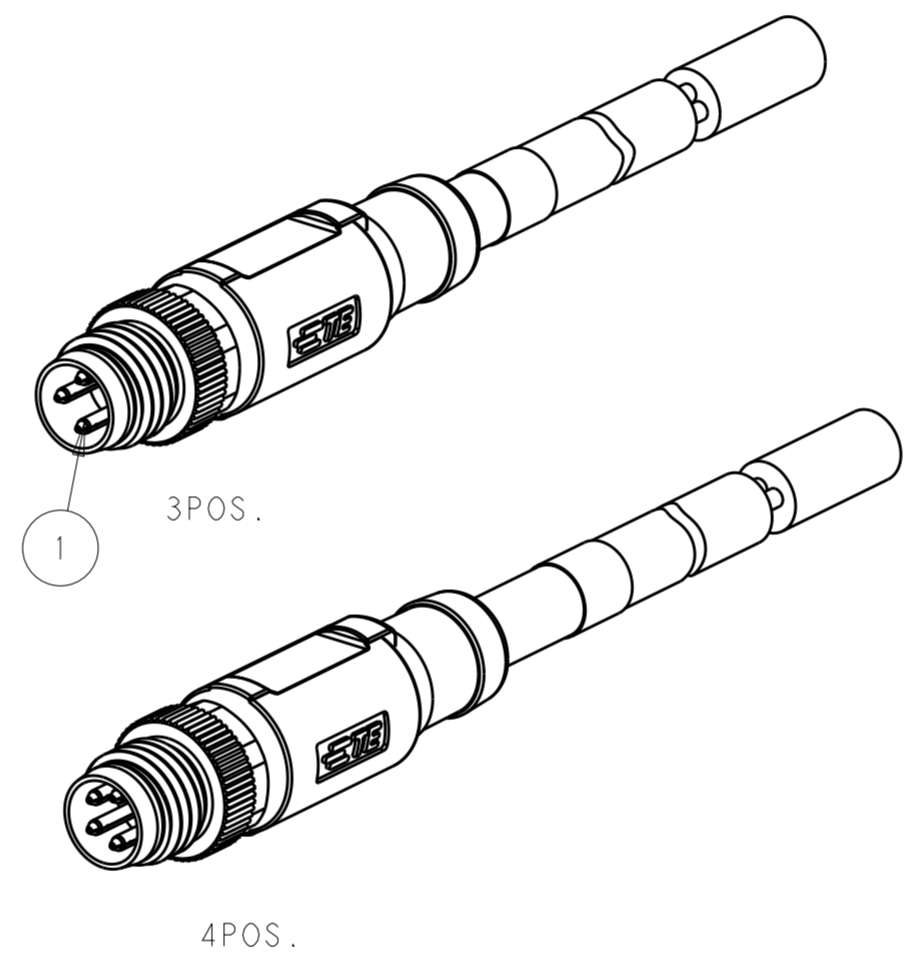
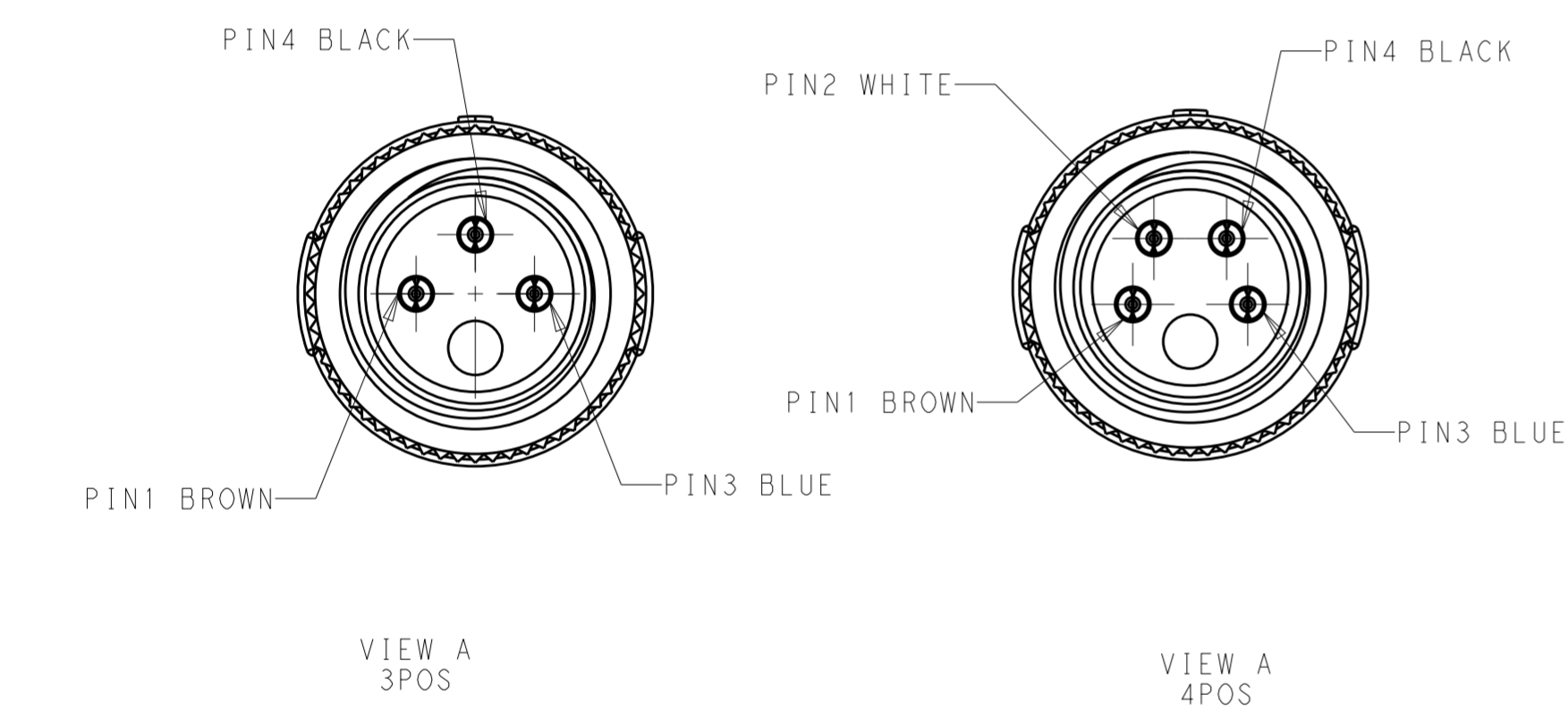
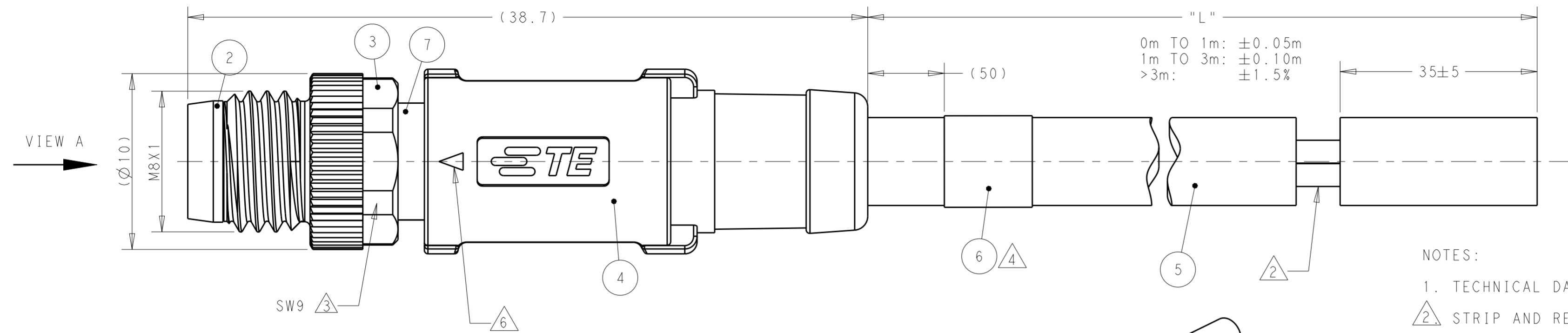


THIS DRAWING IS UNPUBLISHED. RELEASED FOR PUBLICATION 20
 © COPYRIGHT 20 BY - ALL RIGHTS RESERVED.

REVISIONS					
P	LTR	DESCRIPTION	DATE	DWN	APVD
A		INITIAL RELEASE	02MAR2016	N.P	X.X
A1		PER ECR-16-010253	21JUL2016	N.P	X.X
A2		PER ECR-16-016206	16NOV2016	G.W	C.W



- NOTES:
1. TECHNICAL DATA: SEE TABLE 1
 2. STRIP AND RETAIN THE INSULATION
 3. RECOMMEND TORQUE 0.4Nm
 4. TE LABEL AREA.
 5. -** : CABLE LENGTH. -0.5:0.5m, -1.0:1.0m, -1.5:1.5m...
 6. INSERT MARK FOR MATING.
 7. ALL PRODUCT MUST COMPLIANCE WITH ROHS AND REACH.
 8. -00X: FOR CABLE LENGTH, SEE TABLE 2 AND REFER TO LENGTH "L"
- 注意事项
1. 技术参数：见表1
 2. 剥线并保留绝缘层；
 3. 推荐扭矩0.4Nm；
 4. TE 标签位置；
 5. -** 线长：-0.5:0.5m, -1.0:1.0m, -1.5:1.5m
 6. 产品对插标示；
 7. 产品必须符合ROHS与REACH。
 8. -00X：线缆长度，参考表2，参照长度"L"

TABLE 1

TECHNICAL DATA	T40611X0003-00X	T40611X0004-00X
RATED VOLTAGE	60V	30V
RATED CURRENT	3A	
POLLETION DEGREE	3	
OVERVOLTAGE CATEGORY	II	
MATERIAL GROUP	II	
DEGREE OF PROTECTION	IP67	

COMMENTS	MATERIAL	DESCRIPITON	ITEM
	COPPER ALLOY	SHIELDING	7
	-	TE LABEL	6
	-	CABLE	5
BLUE COLOR	POLYURETHANE	OVER-MOLDING	4
	COPPER ALLOY	COUPLING NUT	3
BALCK COLOR	PA66	HOUSING	2
GOLD FLASH	COPPER ALLOY	CONTACT	1

WIRES	STANDARD	FIXED	FLXIBLE	JACKET COLOR	JACKET MATERIAL	TYPE	POS.	TABLE 2 PART NUMBER
WIRES: 0.34mm ² (22AWG)	STANDARD: -001: 0.5m -002: 1.0m -003: 1.5m -004: 3.0m -005: 5.0m -006: 7.0m -007: 10.0m CUSTOMIZATION: -**0: 00.0m -001: **.5m	FIXED: -40°C~80°C	FLXIBLE: -25°C~80°C	GRAY	PUR (UL)	RPC-M8-MS-4CON-PUR-**SHS0.34	4	T4061140004-00X
		FIXED: -10°C~80°C	FLXIBLE: -5°C~80°C	BLACK	PVC (UL)	RPC-M8-MS-3CON-PUR-**SHS0.34	3	T4061140003-00X
WIRES: 0.25mm ² (24AWG)	STANDARD: -001: 0.5m -002: 1.0m -003: 1.5m -004: 3.0m -005: 5.0m -006: 7.0m -007: 10.0m CUSTOMIZATION: -**0: 00.0m -001: **.5m	FIXED: -40°C~80°C	FLXIBLE: -25°C~80°C	GRAY	PUR (UL)	RPC-M8-MS-4CON-PUR-**SH	4	T4061120004-00X
		FIXED: -10°C~80°C	FLXIBLE: -5°C~80°C	BLACK	PVC (UL)	RPC-M8-MS-3CON-PUR-**SH	3	T4061120003-00X
CABLE CHARACTERISTIC	LENGTH "L"	FIXED: -40°C~80°C	FLXIBLE: -25°C~80°C	GRAY	PUR (UL)	RPC-M8-MS-4CON-PVC-**SH	4	T4061130004-00X
		FIXED: -10°C~80°C	FLXIBLE: -5°C~80°C	BLACK	PVC (UL)	RPC-M8-MS-3CON-PVC-**SH	3	T4061130003-00X

THIS DRAWING IS A CONTROLLED DOCUMENT.

DIMENSIONS: mm	TOLERANCES UNLESS OTHERWISE SPECIFIED:	DWN Nick Pan 21 JAN 2016	 TE Connectivity
		CHK Kobby Zhao 21 JAN 2016	
		APVD Xiang Xu 21 JAN 2016	
		PRODUCT SPEC 108-106140	
MATERIAL		APPLICATION SPEC	NAME M8 CABLE ASSEMBLY MALE SIDE SINGLE ENDED, SHIELDED TYPE
		WEIGHT	SIZE A2
		CUSTOMER DRAWING	CAGE CODE -
			DRAWING NO. C-T40611X000X00X
			RESTRICTED TO -
			SCALE 1:1 SHEET 1 OF 1 REV A2

X-ON Electronics

Largest Supplier of Electrical and Electronic Components

Click to view similar products for [Sensor Cables / Actuator Cables](#) category:

Click to view products by [TE Connectivity](#) manufacturer:

Other Similar products are found below :

[1300070444](#) [43-10984](#) [M83513/19-F01CP](#) [704000D02F120](#) [MDM15SH001K](#) [MDM25PH003BF222](#) [802027107404-1](#) [885030A09M010](#)
[885030A09M020](#) [1200650174](#) [1200651332](#) [1200651713](#) [1200660171](#) [1200660208](#) [1200660343](#) [1200660804](#) [1200660845](#) [1200660926](#)
[1200660977](#) [1200661173](#) [1200661354](#) [120066-1712](#) [1200720053](#) [1200720099](#) [1200720153](#) [1200720172](#) [1200720217](#) [1200720226](#)
[1200720251](#) [1200720285](#) [1200720296](#) [1200720404](#) [1200730148](#) [1200730378](#) [1200800231](#) [1200860112](#) [1200860121](#) [1200860125](#)
[1200860337](#) [1200860365](#) [1200860420](#) [1200870046](#) [1200870123](#) [1200870248](#) [1200980102](#) [1200660181](#) [1200660183](#) [1200660827](#)
[1200660849](#) [1200661170](#)