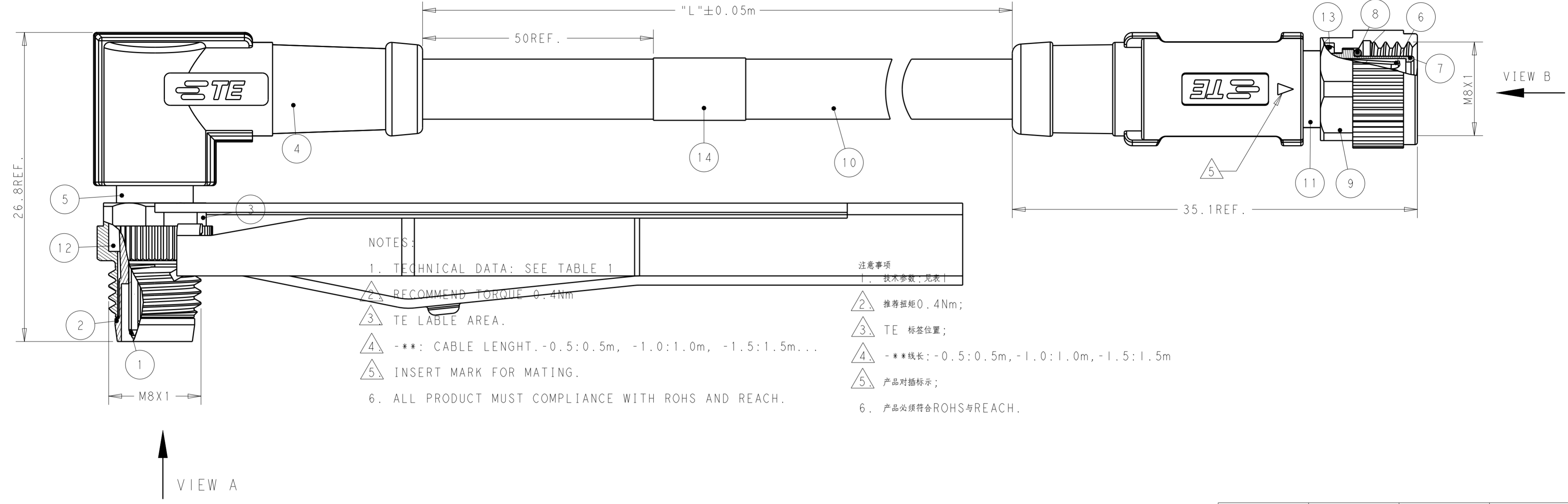


THIS DRAWING IS UNPUBLISHED. RELEASED FOR PUBLICATION 20
 © COPYRIGHT 20 BY - ALL RIGHTS RESERVED.

REVISIONS				
P	LTR	DESCRIPTION	DATE	APVD
A		INITIAL RELEASE	24FEB2016	N.P X.X



- NOTES:
- 1. TECHNICAL DATA: SEE TABLE 1
 - 2. RECOMMEND TORQUE 0.4Nm
 - 3. TE LABEL AREA.
 - 4. -** : CABLE LENGHT. -0.5:0.5m, -1.0:1.0m, -1.5:1.5m...
 - 5. INSERT MARK FOR MATING.
 - 6. ALL PRODUCT MUST COMPLIANCE WITH ROHS AND REACH.
- 注意事项:
- 1. 技术参数，见表1
 - 2. 推荐扭矩0.4Nm；
 - 3. TE 标签位置；
 - 4. -**线长：-0.5:0.5m，-1.0:1.0m，-1.5:1.5m
 - 5. 产品对插标示；
 - 6. 产品必须符合ROHS与REACH。

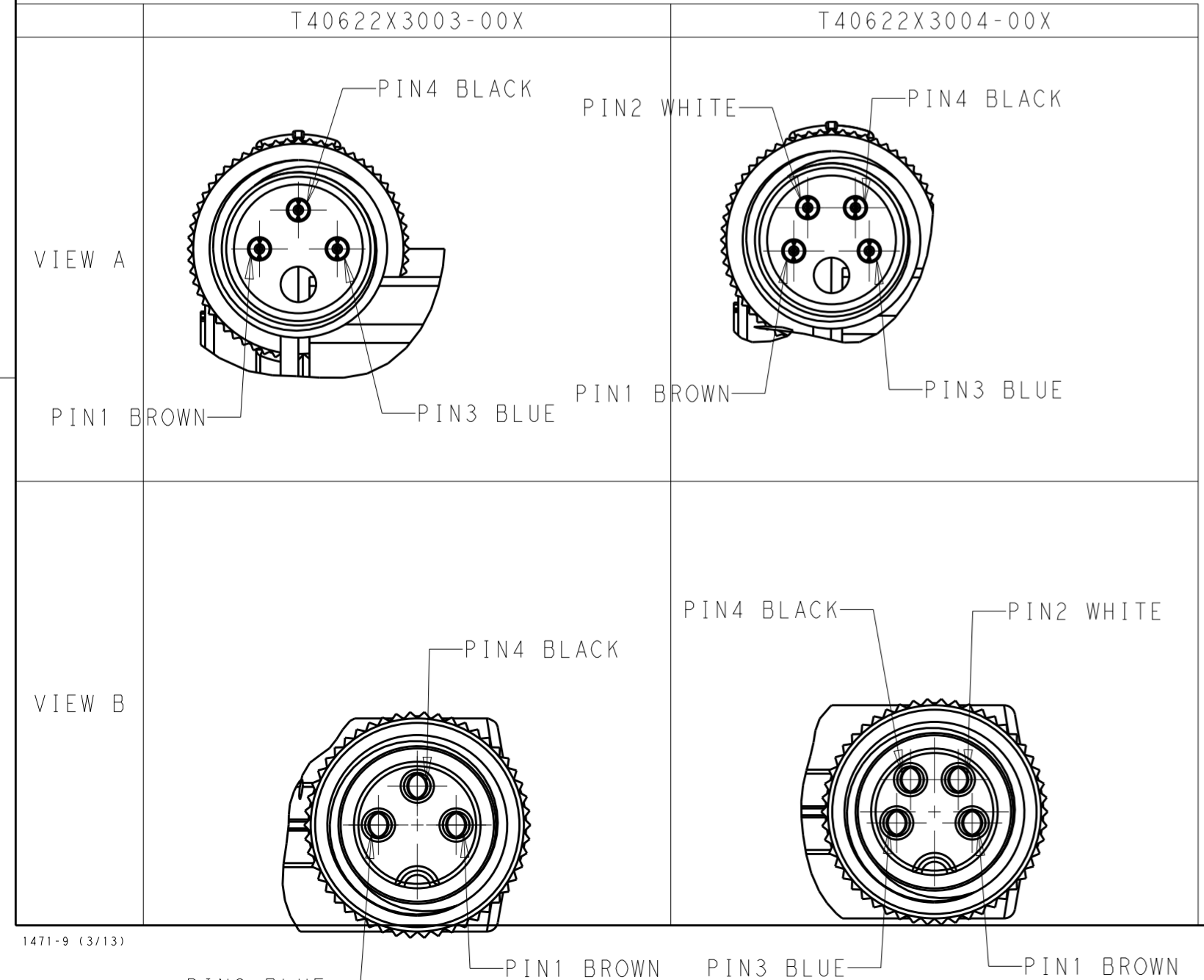


TABLE 1

TECHNICAL DATA	T40622X3003-00X	T40622X3004-00X
RATED VOLTAGE	60V	30V
RATED CURRENT	3A	
POLLUTION DEGREE	3	
OVERVOLTAGE CATEGORY	II	
MATERIAL GROUP	II	
DEGREE OF PROTECTION	IP67	

ITEM	DESCRIPTION	MATERIAL	ITEM
14	TE LABEL	-	-
13	WAVE WASHER	STEEL	-
12	SPRING	STEEL	-
11	SHIELDING	BRASS	-
10	CABLE	-	-
9	COUPLING NUT	COPPER ALLOY	-
8	O-RING	RUBBER	-
7	HOUSING	PA66	BALCK COLOR
6	CONTACT	COPPER ALLOY	GOLD FLASH
5	SHIELDING	COPPER ALOY	-
4	OVER-MOLDING	POLYURETHANE	BLUE COLOR
3	COUPLING NUT	COPPER ALLOY	-
2	HOUSING	PA66	BALCK COLOR
1	CONTACT	COPPER ALLOY	GOLD FLASH

WIRES: 0.25mm ² (24AWG)	LENGTH "L"	RECOMMEND OPERATION TEMPERATURE FOR CABLE	JACKET COLOR	JACKET MATERIAL	TYPE	POS.	PART NUMBER
-001: 0.5m -002: 1.0m -003: 1.5m -004: 3.0m -005: 5.0m -006: 7.0m -007: 10.0m		FIXED: -25°C~80°C FLXIBLE: -10°C~80°C	GRAY	PUR (UL)	RPC-M8-4MR-**SH-M8-4FS-PUR	4	T4062223004-00X
		FIXED: -10°C~80°C FLXIBLE: -5°C~80°C	BLACK	PVC (UL)	RPC-M8-3MR-**SH-M8-3FS-PUR	3	T4062223003-00X
					RPC-M8-4MR-**SH-M8-4FS-PVC	4	T4062213004-00X
					RPC-M8-3MR-**SH-M8-3FS-PVC	3	T4062213003-00X

THIS DRAWING IS A CONTROLLED DOCUMENT.

DWN: Nick Pan 24FEB2016
 CHK: Kobby Zhao 24FEB2016
 APVD: Xiang Xu 24FEB2016

TE Connectivity

M8 CABLE ASSEMBLY SHIELDED TYPE DOUBLE ENDED

108-106140

SIZE: A2 CAGE CODE: - DRAWING NO: - RESTRICTED TO: -
 SCALE: 1:1 SHEET 1 OF 1 REV A

X-ON Electronics

Largest Supplier of Electrical and Electronic Components

Click to view similar products for [Sensor Cables / Actuator Cables](#) category:

Click to view products by [TE Connectivity](#) manufacturer:

Other Similar products are found below :

[1300070444](#) [43-10984](#) [M83513/19-F01CP](#) [704000D02F120](#) [MDM15SH001K](#) [MDM25PH003BF222](#) [802027107404-1](#) [885030A09M010](#)
[885030A09M020](#) [1200650174](#) [1200651332](#) [1200651713](#) [1200660171](#) [1200660208](#) [1200660343](#) [1200660804](#) [1200660845](#) [1200660926](#)
[1200660977](#) [1200661173](#) [1200661354](#) [120066-1712](#) [1200720053](#) [1200720099](#) [1200720153](#) [1200720172](#) [1200720217](#) [1200720226](#)
[1200720251](#) [1200720285](#) [1200720296](#) [1200720404](#) [1200730148](#) [1200730378](#) [1200800231](#) [1200860112](#) [1200860121](#) [1200860125](#)
[1200860337](#) [1200860365](#) [1200860420](#) [1200870046](#) [1200870123](#) [1200870248](#) [1200980102](#) [1200660181](#) [1200660183](#) [1200660827](#)
[1200660849](#) [1200661170](#)