

THIS DRAWING IS UNPUBLISHED. RELEASED FOR PUBLICATION
 © COPYRIGHT copyright.d8Te- ALL RIGHTS RESERVED.

REVISIONS				
P	LTR	DESCRIPTION	DATE	APVD
A		INITIAL RELEASE	12JUN2018	TF CW
A1		ECR-18-018663,CORRECT ERROR	11NOV2018	TF CW

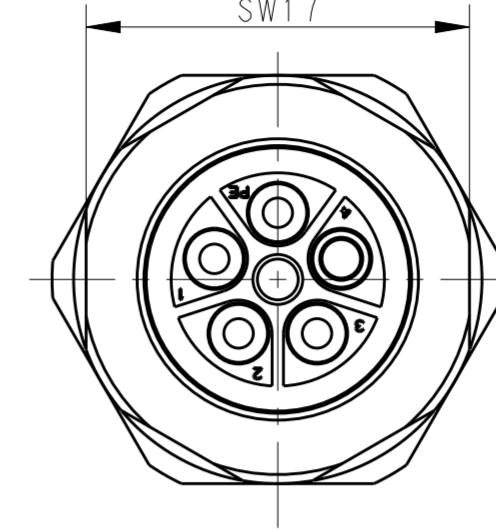
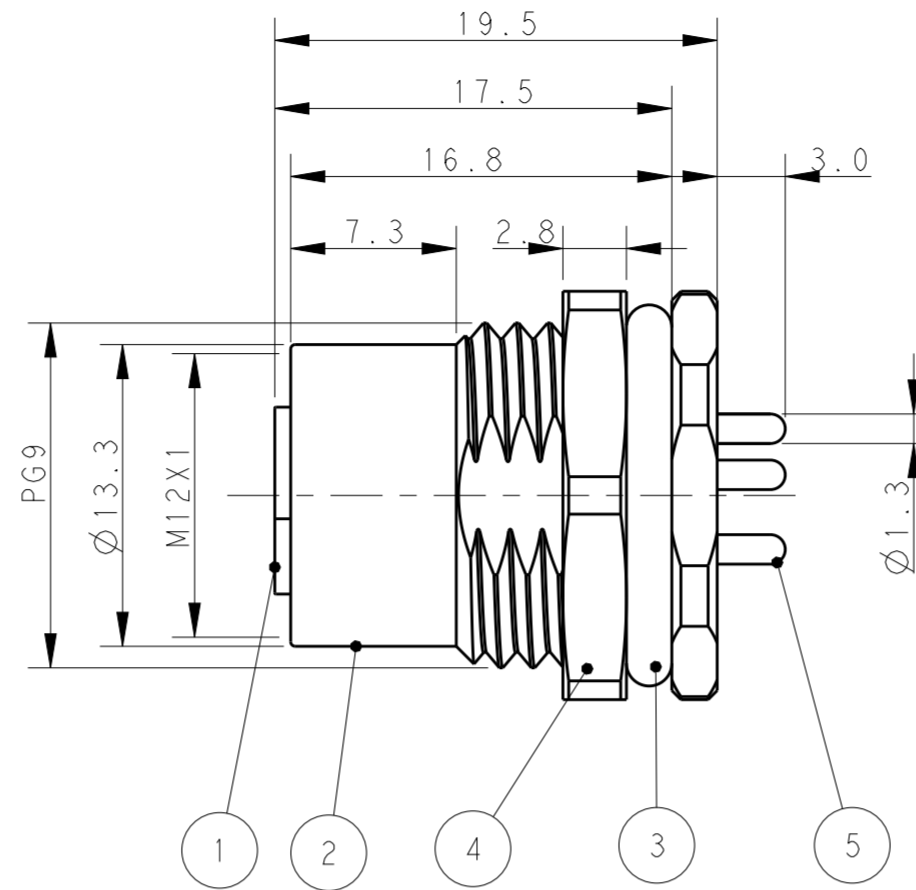
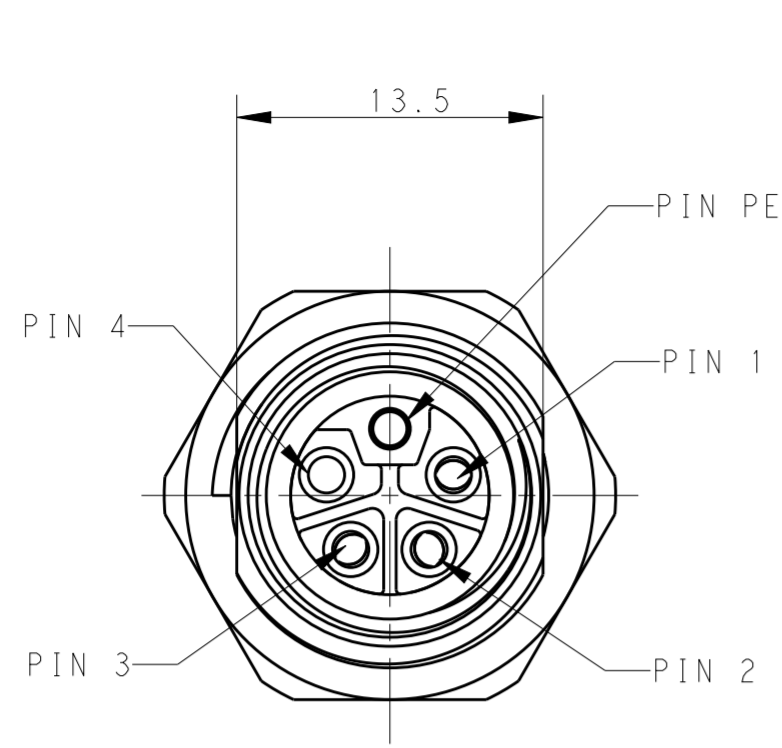
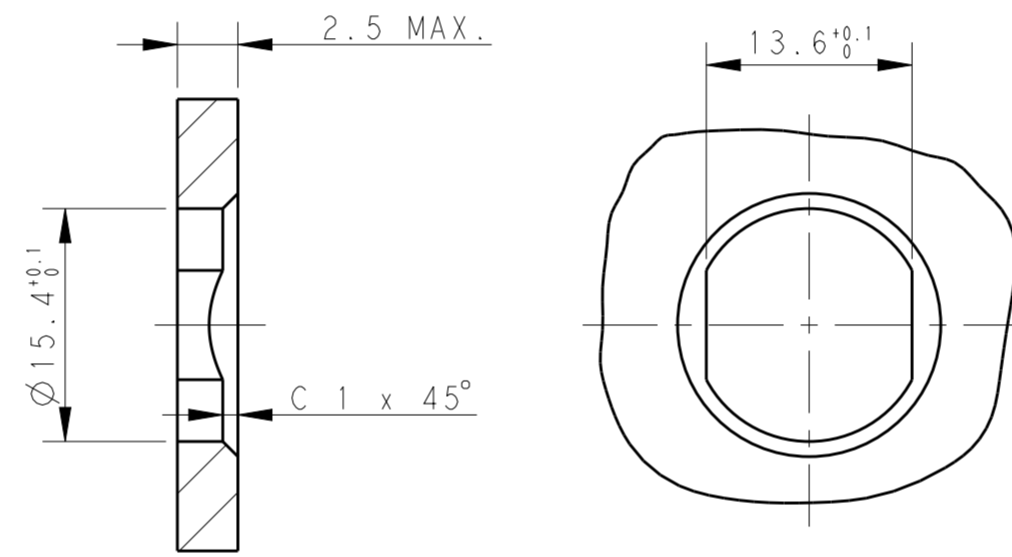


TABLE 1

TECHNICAL DATA	T4141L12051-000	T4141L12041-000	T4141L12031-000
RATED VOLTAGE	63V	63V	63V
RATED CURRENT	16A	16A	16A
POLLUTION DEGREE	3	3	3
OVERVOLTAGE CATEGORY	IV	IV	IV
MATERIAL GROUP	IIIb	IIIb	IIIb
CONTACT RESISTANCE	≤5mΩ	≤5mΩ	≤5mΩ
INSULATION RESISTANCE	>100MΩ	>100MΩ	>100MΩ
DEGREE OF PROTECTION	IP67	IP67	IP67
OPERATION TEMPERATURE	-40~85°C	-40~85°C	-40~85°C



RECOMMENDED PANEL CUTOUT

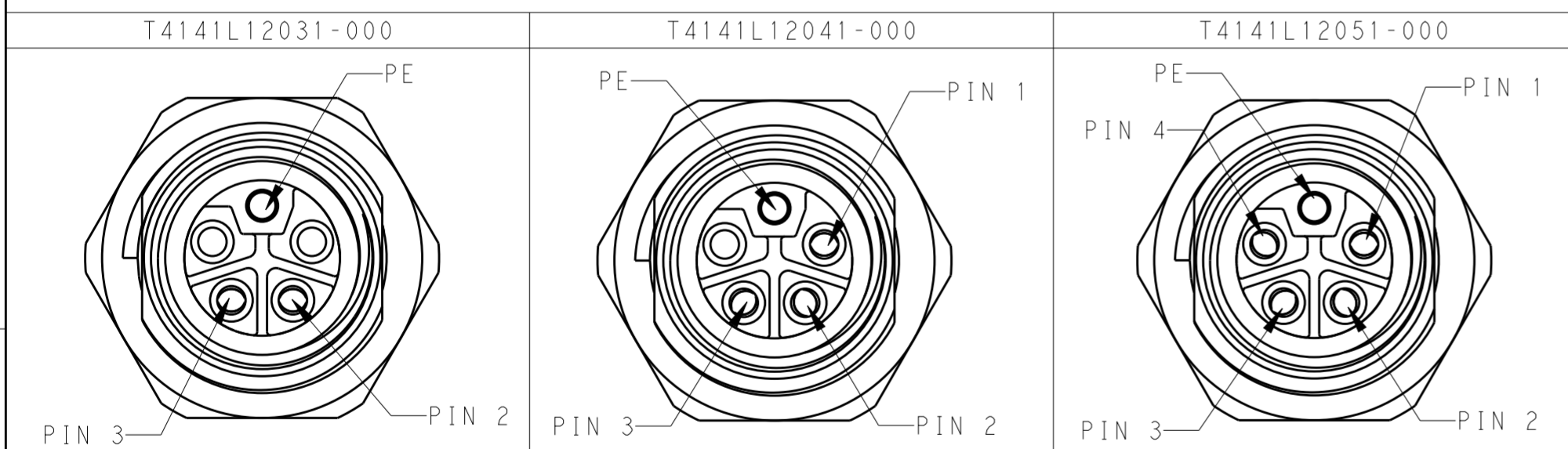
NOTE:

1. TECHNICAL DATA: SEE TABLE 1
2. RECOMMENDED PANEL CUTOUT AND PCB LAYOUT SEE DETAIL
3. PRODUCT COMPLIES WITH IEC61076-2-111
4. PLASTIC INERT MATERIAL: UL LISTED WITH UL94V0 FLAME RATING
5. ALL MATERIALS TO BE ROHS COMPLIANT
6. ALL MATERIALS TO BE REACH COMPLIANT
7. PACKAGING: 1 PIECE IN A BAG
8. ALL DIMENSIONS ARE FOR NOMINAL REFERENCE ONLY UNLESS OTHERWISE STATED

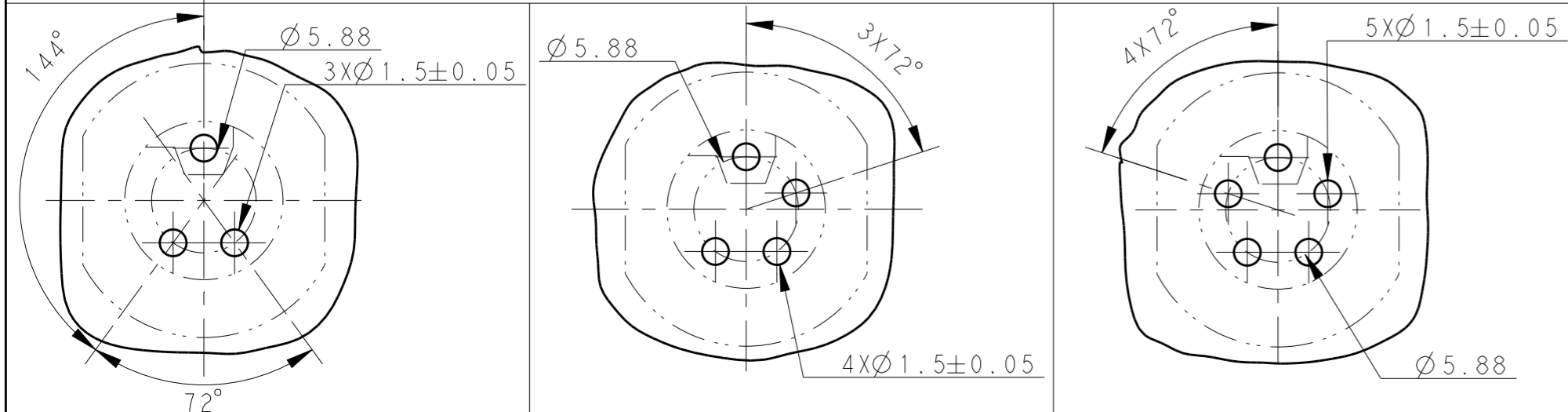
注释:

1. 技术参数, 见表1
2. 推荐面板及PCB开孔尺寸详见如图所示
3. 产品符合标准 IEC61076-2-111
4. 塑胶材料符合UL标准, UL-94V0阻燃等级
5. 所有材料符合ROHS参照标准TEC-138-705
6. 所有材料符合REACH参照标准TEC-138-705
7. 包装: 1PCS/袋
8. 所有尺寸仅供参考, 除非另有说明

PIN ARRANGEMENT L-CODE



RECOMMENDED DRILLING DIAGRAM



TYPE	POS.	PART NUMBER
RPC-M12L-FF-3CON-PG9-LBU	3	T4141L12031-000
RPC-M12L-FF-4CON-PG9-LBU	4	T4141L12041-000
RPC-M12L-FF-5CON-PG9-LBU	5	T4141L12051-000

GOLD PLATED	COPPER ALLOY	CONTACT	5
NICKEL PLATED	COPPER ALLOY	METAL NUT	4
-	-	O-RING	3
NICKEL PLATED	COPPER ALLOY	M12,FEMALE,METAL BODY	2
-	LCP	M12,FEMALE HSG	1
OTHERS	MATERIAL	DESCRIPTION	ITEM

THIS DRAWING IS A CONTROLLED DOCUMENT.

DWN: TONY FAN 12JUN2018
 CHK: GINO YAO 12JUN2018
 APVD: CHRIS WANG 12JUN2018

STE TE Connectivity

NAME: M12 PANEL MOUNT CONNECTOR L CODE, FEMALE, REAR MOUNT, PCB SOLDERING

PRODUCT SPEC: 108-137350
 APPLICATION SPEC: 114-137144

SIZE: A2 CAGE CODE: 00779 DRAWING NO: T4141L120X1000

MATERIAL: - FINISH: - WEIGHT: -

CUSTOMER DRAWING SCALE: 3:1 SHEET 1 OF 1 REV: A1

X-ON Electronics

Largest Supplier of Electrical and Electronic Components

Click to view similar products for [Circular Metric Connectors](#) category:

Click to view products by [TE Connectivity](#) manufacturer:

Other Similar products are found below :

[1424048](#) [1021212](#) [600X518037X](#) [6STD09SAM99B70X](#) [6STD15PCR99B70A](#) [8R4000A16M020](#) [1200910002](#) [1201150041](#) [1203580030](#)
[1200700064](#) [1200700263](#) [1200700416](#) [1200730102](#) [1200770002](#) [1-2823588-2](#) [130203-0054](#) [1300140026](#) [1300150099](#) [1-3637-600-5205](#)
[1545399](#) [1594331](#) [1600413](#) [1612606](#) [1612618](#) [1614660](#) [1A4000-348](#) [CA06EW24-10P-B-03](#) [21036836414](#) [2823064-1](#) [1610759](#) [A1642LK-](#)
[II-T](#) [1R3006A20M005](#) [41-01016](#) [41-40011](#) [41-40017](#) [42-00006](#) [42-01015](#) [4-22279-4](#) [4-22281-1](#) [4-22284-9](#) [43-00002](#) [43-00113](#) [43-00130](#)
[43-01028](#) [43-01034](#) [43-01088](#) [43-01090](#) [43-01203](#) [43-01209](#) [43-01335](#)