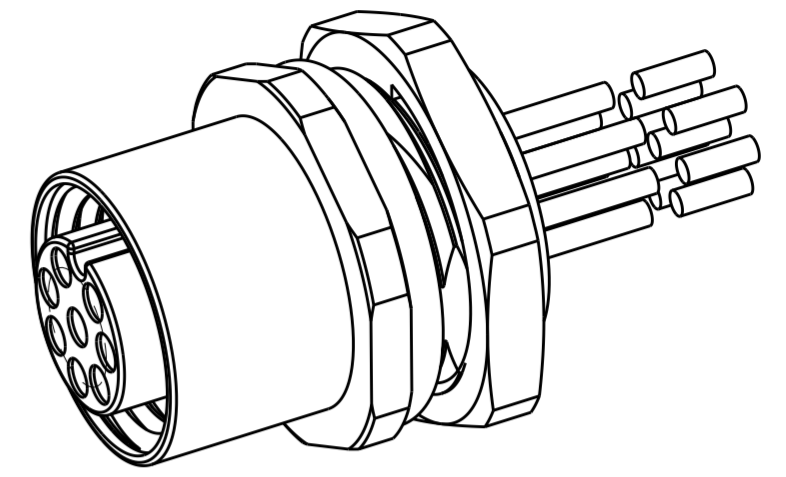
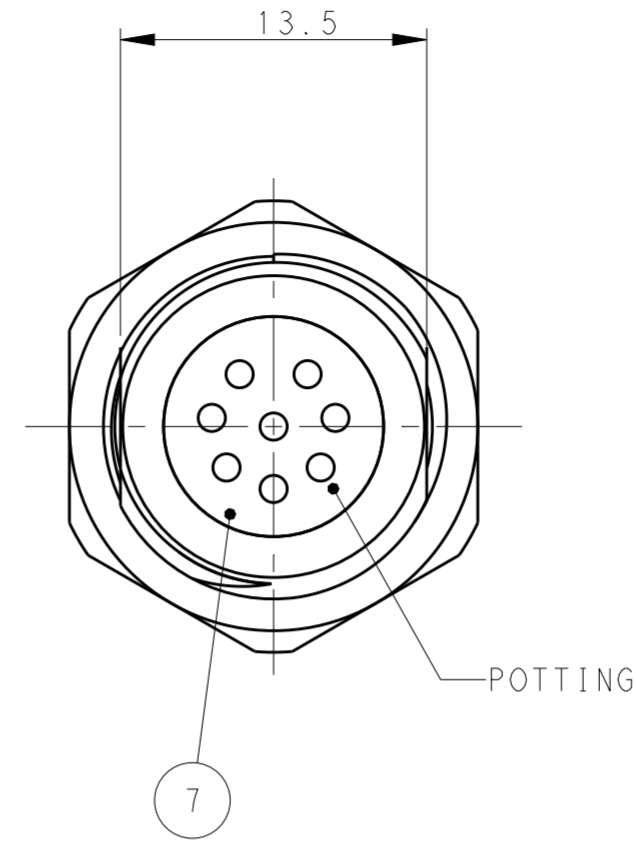
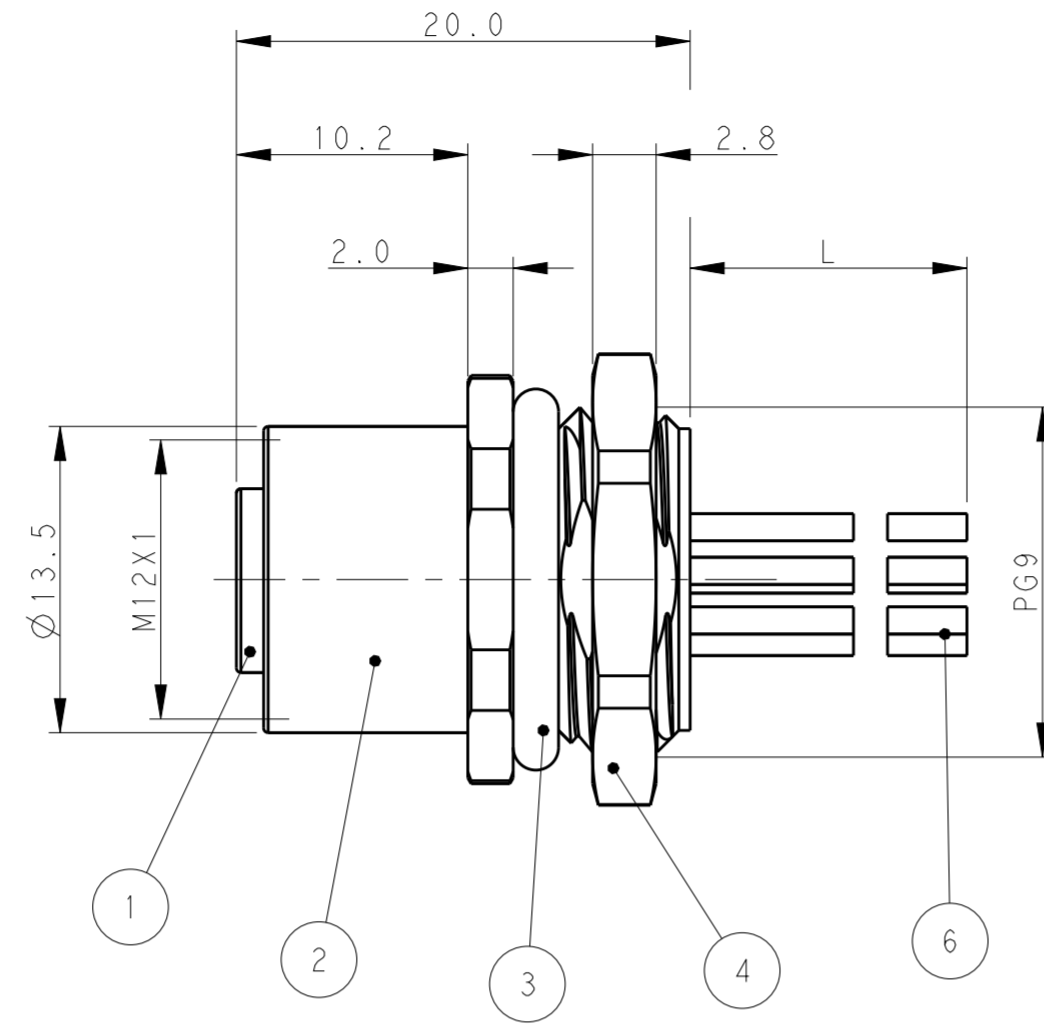
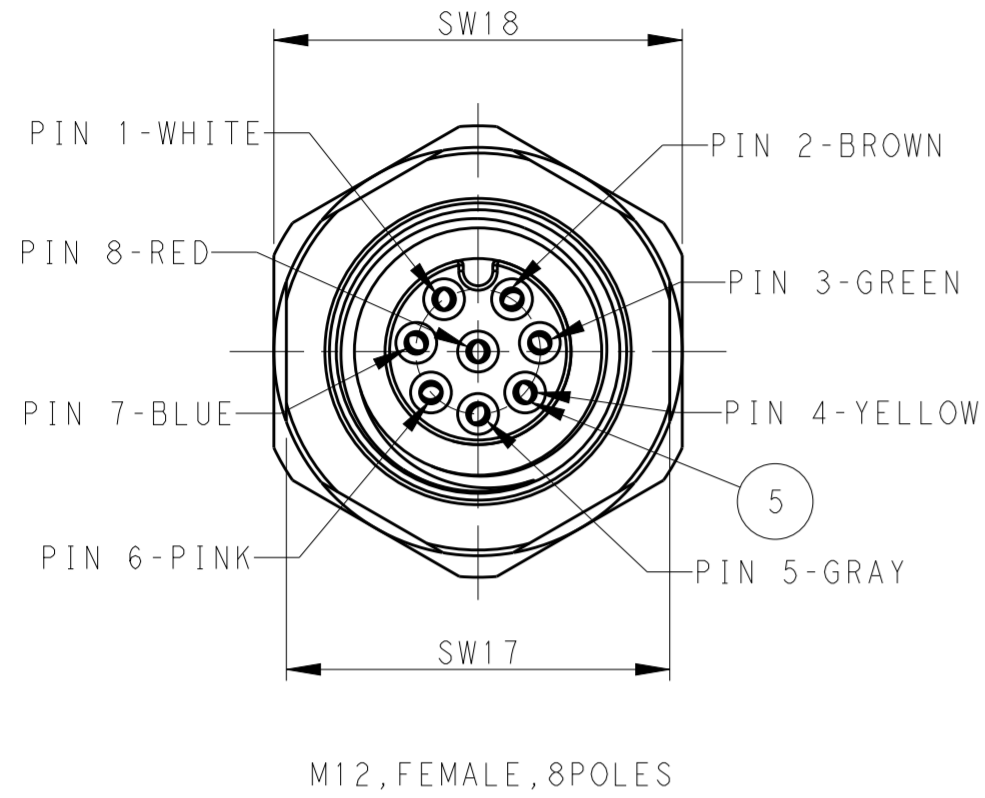


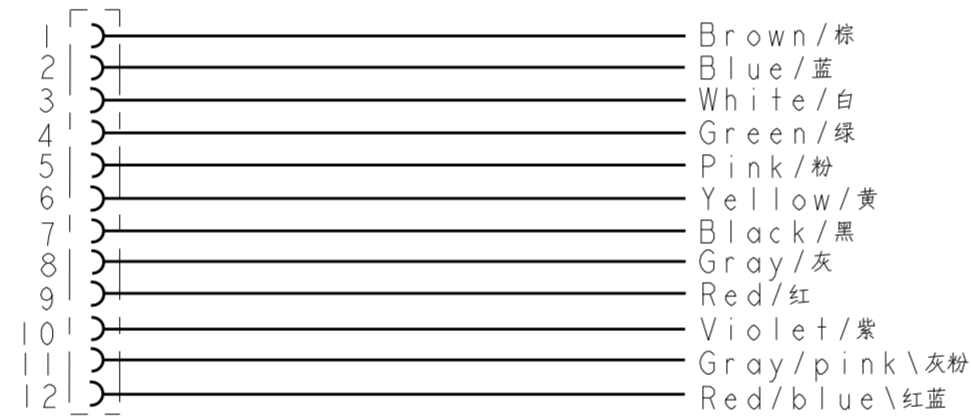
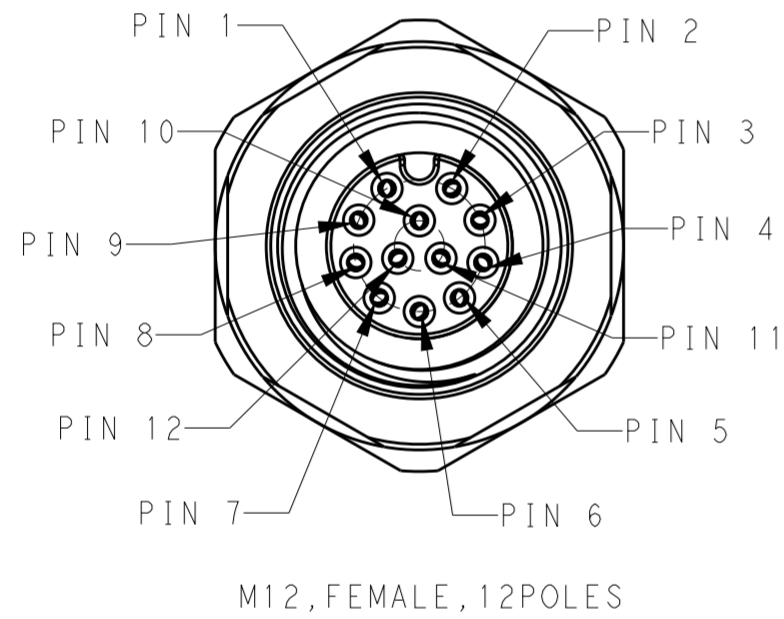
THIS DRAWING IS UNPUBLISHED. RELEASED FOR PUBLICATION 20
 © COPYRIGHT 20 BY - ALL RIGHTS RESERVED.

REVISIONS				
P	LTR	DESCRIPTION	DATE	APVD
A		INITIAL RELEASE	06JAN2018	G.W C.W



- NOTE:
1. TECHNICAL DATA: SEE TABLE 1
 2. RECOMMENDED MOUNT PANEL SEE DETAIL
 3. PACKAGING: 1 PIECE IN A BAG
 4. ALL DIMENSIONS ARE FOR NOMINAL REFERENCE ONLY UNLESS OTHERWISE STATED

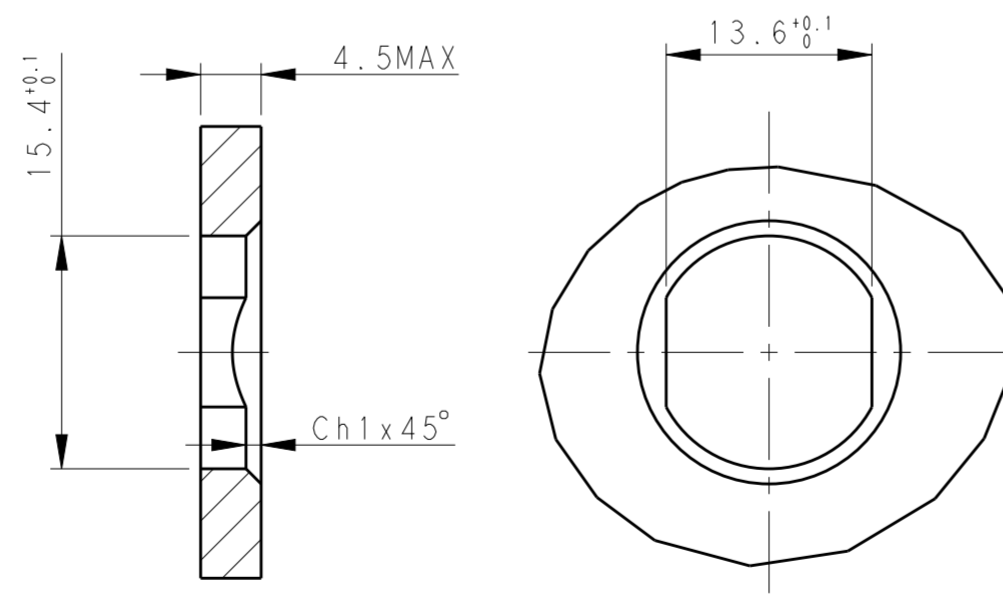
- 注释:
1. 技术参数, 见表 1
 2. 推荐开孔尺寸详见如图所示
 3. 包装: 1PCS/袋
 4. 所有尺寸仅供参考, 除非另有说明



WIRES:	CABLE LENGTH	TYPE	POS.	PART NUMBER
0.25MM ² (24AWG) FOR 8P	-001: 0.2M	RPC-M12-FB-12CON-PG9-X.XLAU	12	T4171330012-00X
0.14MM ² (26AWG) FOR 12P	-002: 0.5M			
	-003: 1.0M			
	-004: 1.5M			
	-005: 3.0M			
	-006: 5.0M			
	-007: 7.0M			
	-008: 10.0M			
CUSTOMIZATION:	-**0: 00.0M	RPC-M12-FB-8CON-PG9-X.XLAU	8	T4171320008-00X
	-001: **.5M			
	-99*: 0.*M			

TABLE 1

TECHNICAL DATA	T4171320008-00X	T4171330012-00X
RATED VOLTAGE	30V	30V
RATED CURRENT	2A	1.5A
POLLUTION DEGREE	3	3
OVERVOLTAGE CATEGORY	II	II
MATERIAL GROUP	II	II
DEGREE OF PROTECTION	IP67	IP67
OPERATION TEMPEATURE	-40~85°C	-40~85°C



CABLE CHARACTERISTIC	EPOXY RESIN	POTTING ADHESIVE	ITEM
-	-	CABLE	7
-	-	CONTACT	6
GOLD PLATED	COPPER ALLOY	METAL NUT	5
NICKEL PLATED	COPPER ALLOY	O-RING	4
-	-	M12, FEMALE, METAL BODY	3
NICKEL PLATED	COPPER ALLOY	M12, FEMALE HSG	2
-	PA66	M12, FEMALE HSG	1
OTHERS	MATERIAL	DESCRIPTION	ITEM

THIS DRAWING IS A CONTROLLED DOCUMENT.

DWN: GAVIN WANG 06JAN2018
 CHK: KEVIN HUANG 06JAN2018
 APVD: CHRIS WANG 06JAN2018

PRODUCT SPEC: 108-106140
 APPLICATION SPEC: 114-137144

NAME: M12 PANEL MOUNT CONNECTOR A CODE, FEMALE, FRONT MOUNT WITH WIRE

SIZE: A2 CAGE CODE: - DRAWING NO: C-T417132000800X RESTRICTED TO: -

MATERIAL: - TOLERANCES UNLESS OTHERWISE SPECIFIED: 0 PLC ±, 1 PLC ±, 2 PLC ±, 3 PLC ±, 4 PLC ±, ANGLES ±, FINISH -

CUSTOMER DRAWING SCALE: 3:1 SHEET: 1 OF 1 REV: A

STE TE Connectivity

X-ON Electronics

Largest Supplier of Electrical and Electronic Components

Click to view similar products for [Switching Voltage Regulators](#) category:

Click to view products by [Maxim](#) manufacturer:

Other Similar products are found below :

[TLF30682QVS01XUMA1](#) [TPSM84209RKHR](#) [FAN53526UC106X](#) [FAN53526UC128X](#) [MP1587EN-LF](#) [FAN48610BUC33X](#)
[FAN48617UC50X](#) [FAN53526UC89X](#) [MIC45116-1YMP-T1](#) [NCV891234MW50R2G](#) [EN2342QI](#) [AST1S31PUR](#) [16017](#) [A6986FTR](#)
[NCP81103MNTXG](#) [NCP81203PMNTXG](#) [MAX17242ETPA+](#) [MAX16935RATEB/V+](#) [MP2313GJ-Z](#) [NCP81208MNTXG](#) [MP8759GD-Z](#)
[FAN53526UC100X](#) [FAN53526UC84X](#) [PCA9412AUKZ](#) [MP2314SGJ-Z](#) [AS1340A-BTDM-10](#) [MP3421GG-P](#) [NCP81109GMNTXG](#)
[MP6003DN-LF-Z](#) [MAX16935BAUES/V+](#) [LT8315IFE#PBF](#) [SCY1751FCCT1G](#) [NCP81109JMNTXG](#) [MAX16956AUBA/V+](#)
[AP3409ADNTR-G1](#) [FAN48623UC36FX](#) [MPQ2454GH](#) [MPQ2454GH-AEC1](#) [MP21148GQD-P](#) [AS3701B-BWLM-68](#) [MPQ2143DJ-P](#)
[MP9942AGJ-P](#) [MP8759GD-P](#) [MP5610GQG-P](#) [MP28200GG-P](#) [MP2451DJ-LF-Z](#) [MP2326GD-P](#) [MP2314SGJ-P](#) [MP2158AGQH-P](#)
[MP2148GQD-18-P](#)