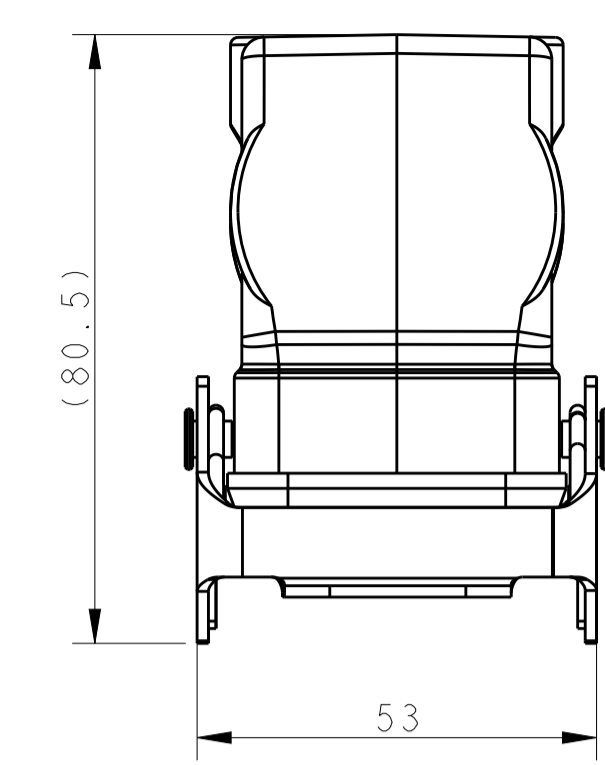
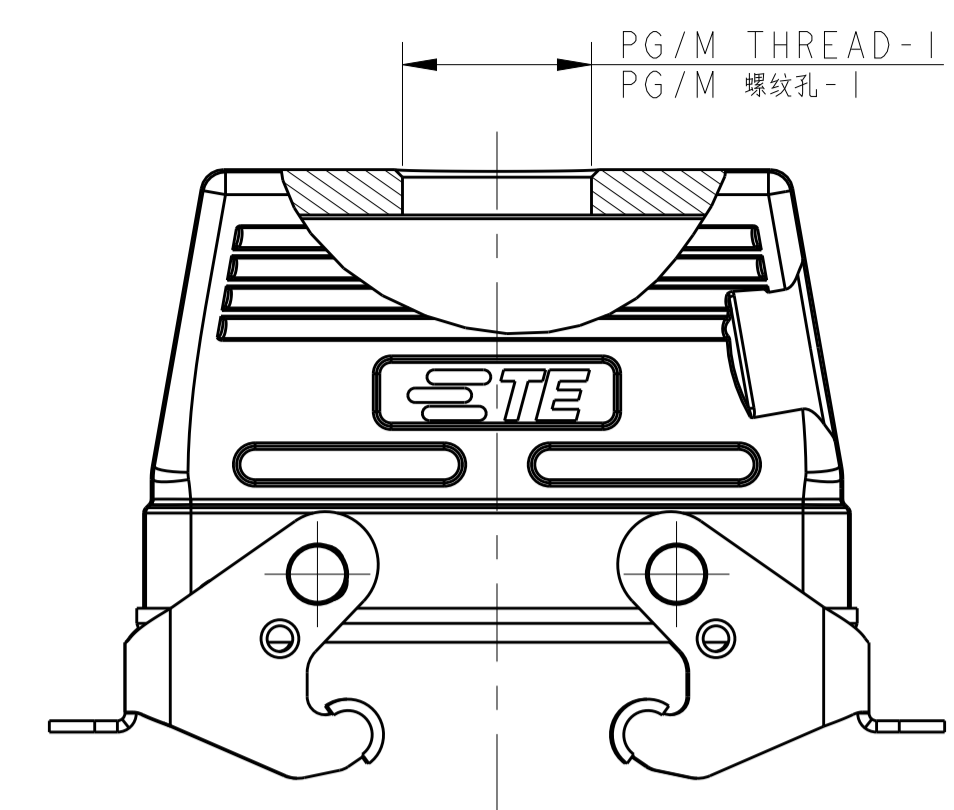
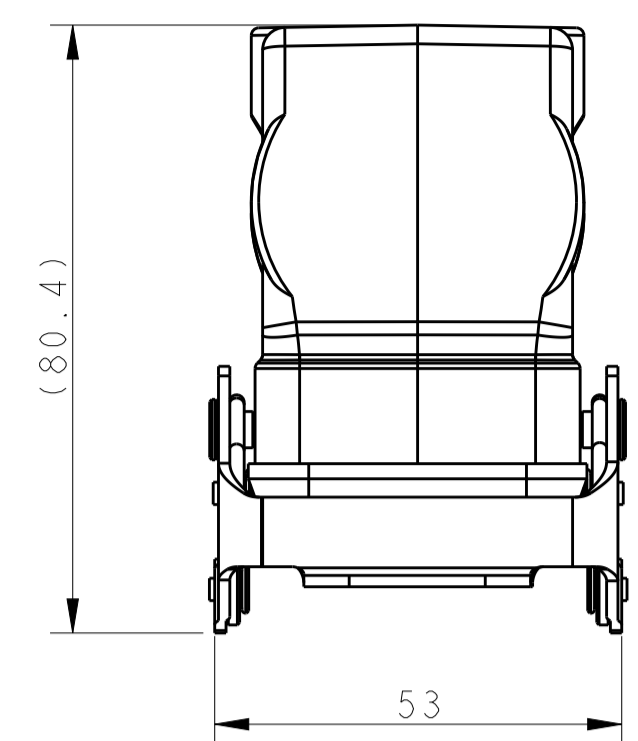
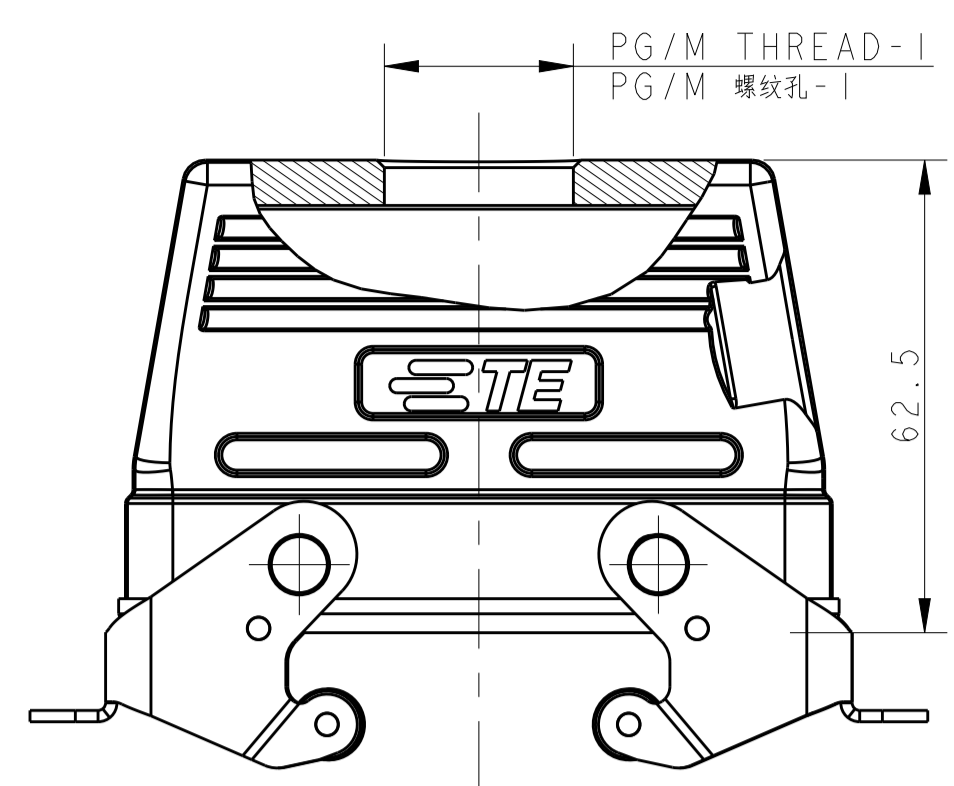
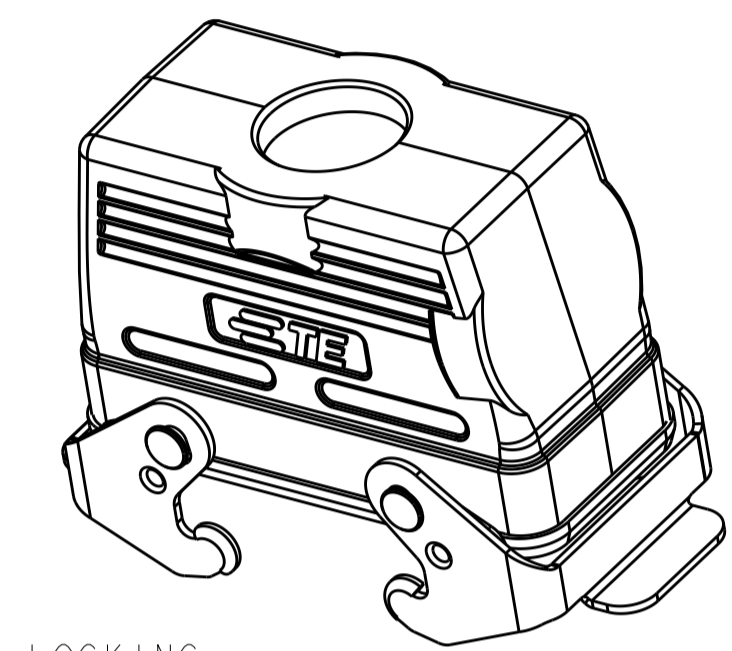
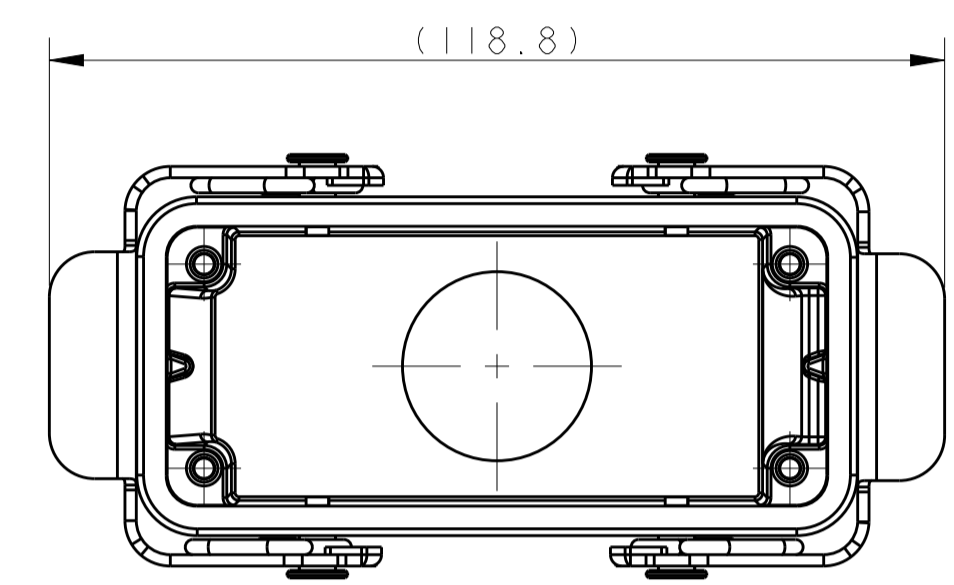
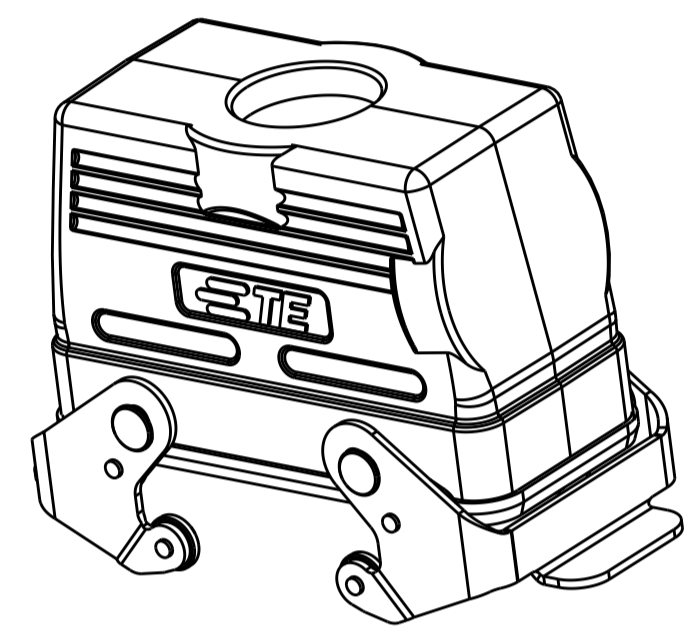
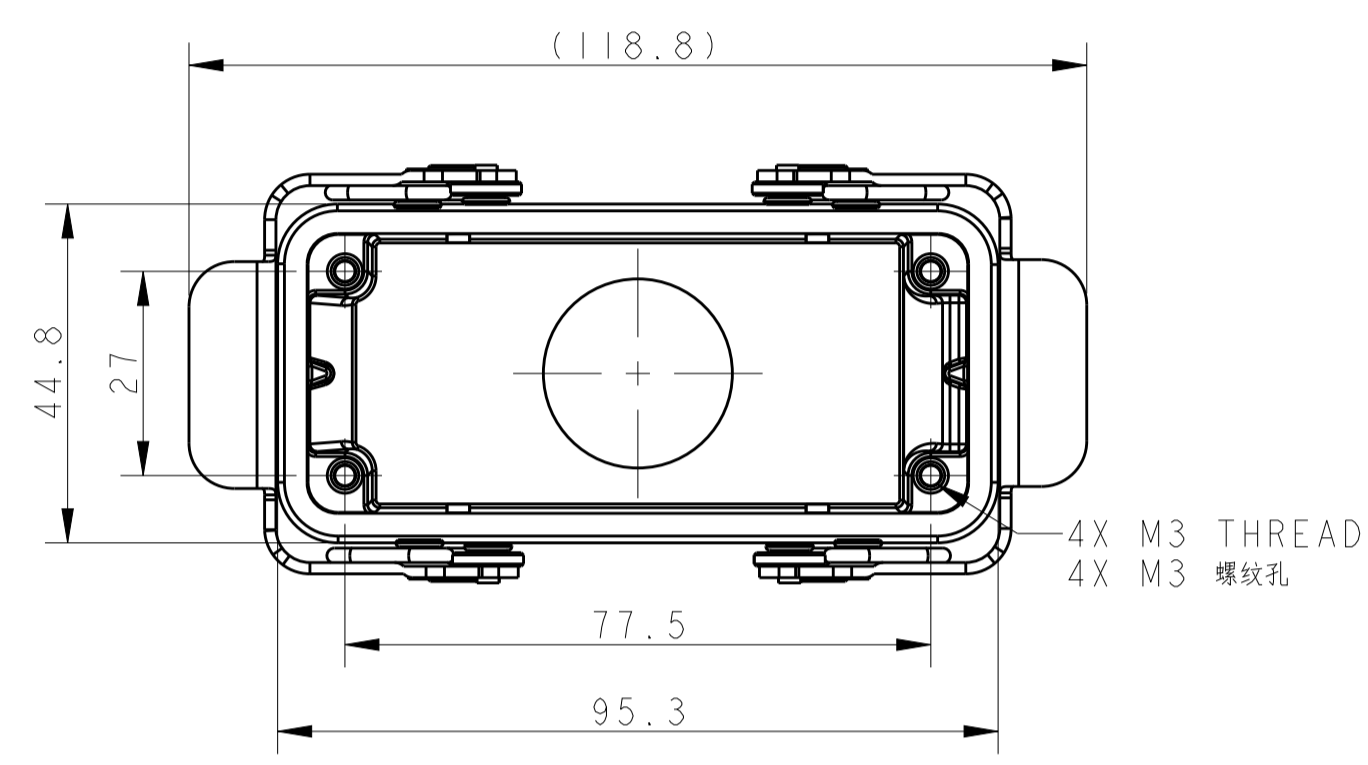


REVISIONS				
P	LTN	DESCRIPTION	DATE	OWN APVD
A1	ECR-16-012641		12SEP2016	BS CW
A2	ECR-18-009192		13JUL2018	KW CW



NOTES:
 1. TECHNICAL CHARACTERISTICS:
 HOUSING MATERIAL: DIE CAST ALUMINIUM ALLOY
 SURFACE TREATMENT: POWDER COATED, GRAY
 DEGREE OF PROTECTION: IP65 (MATED)

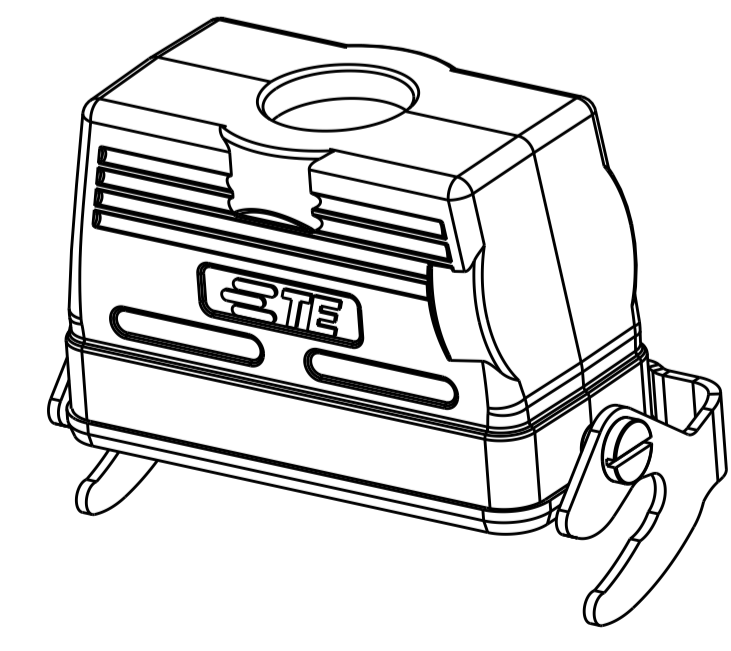
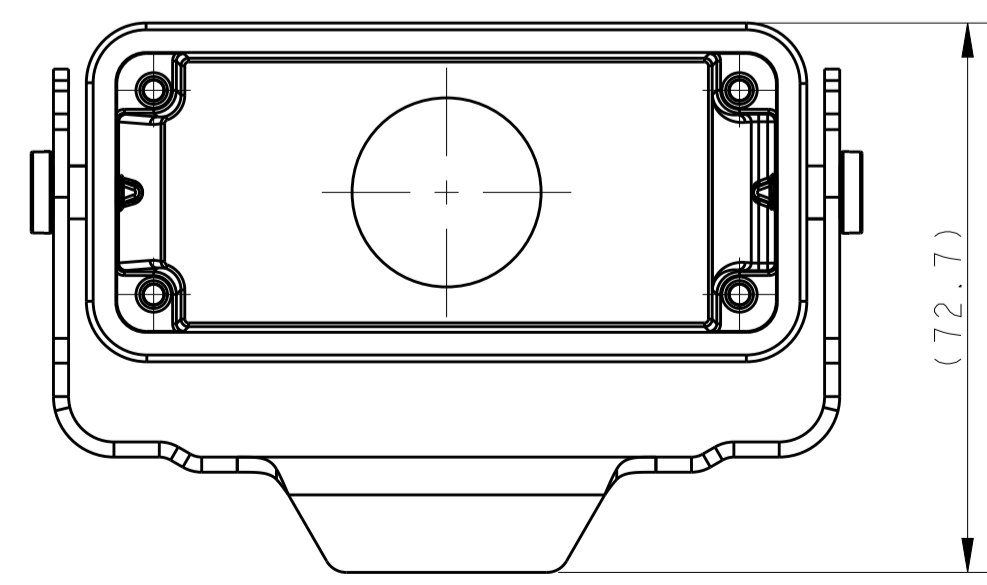
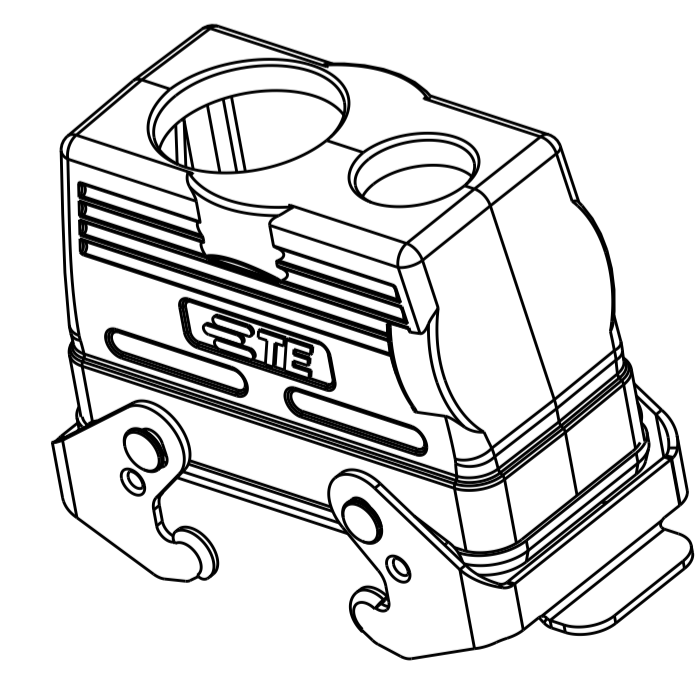
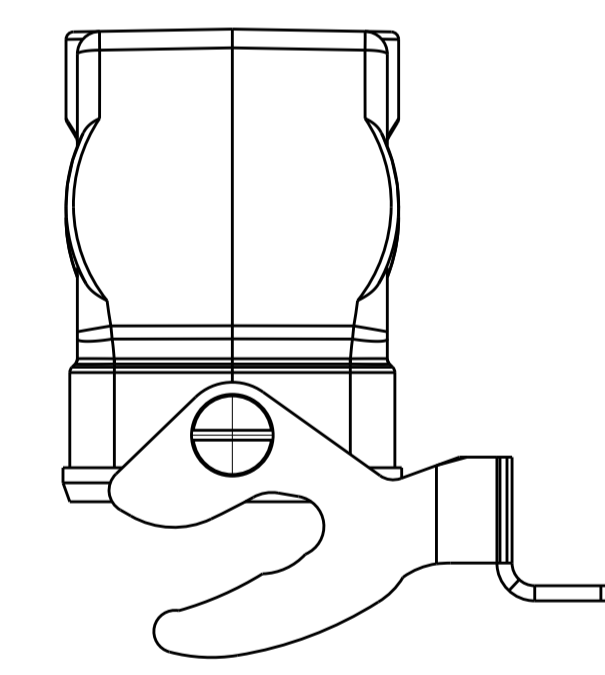
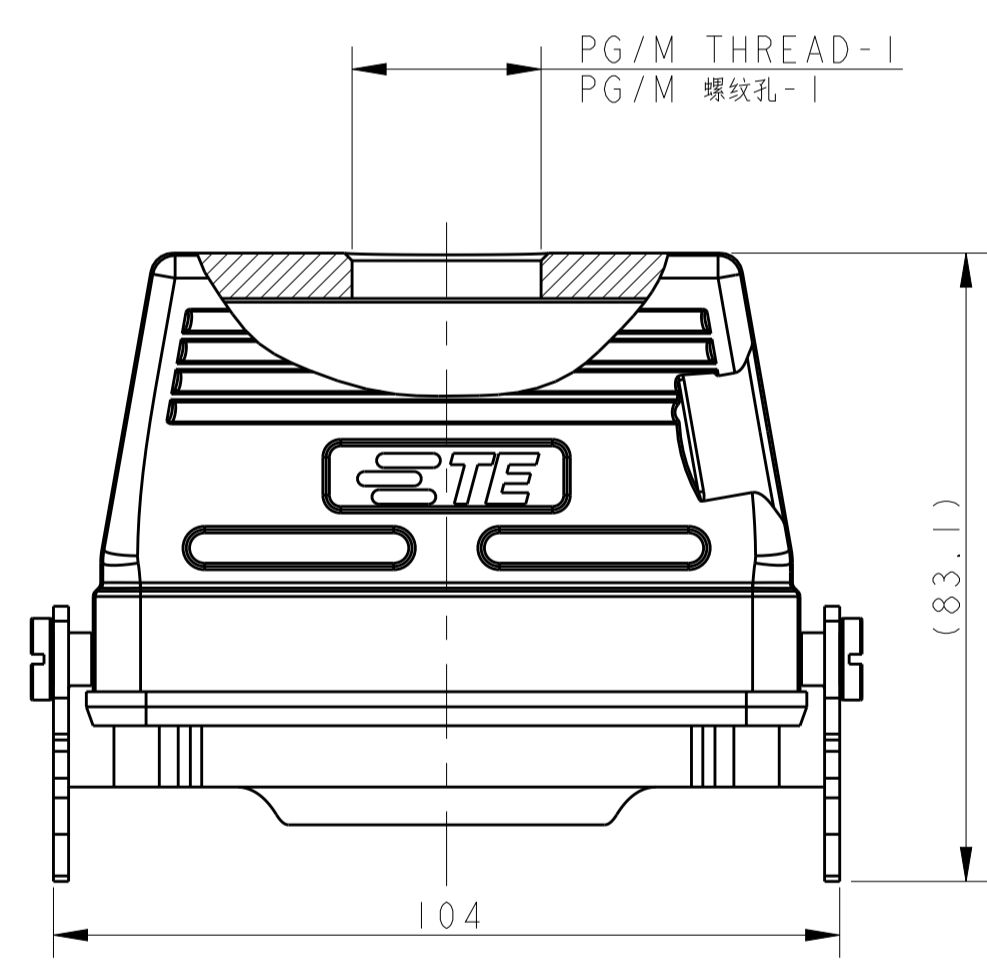
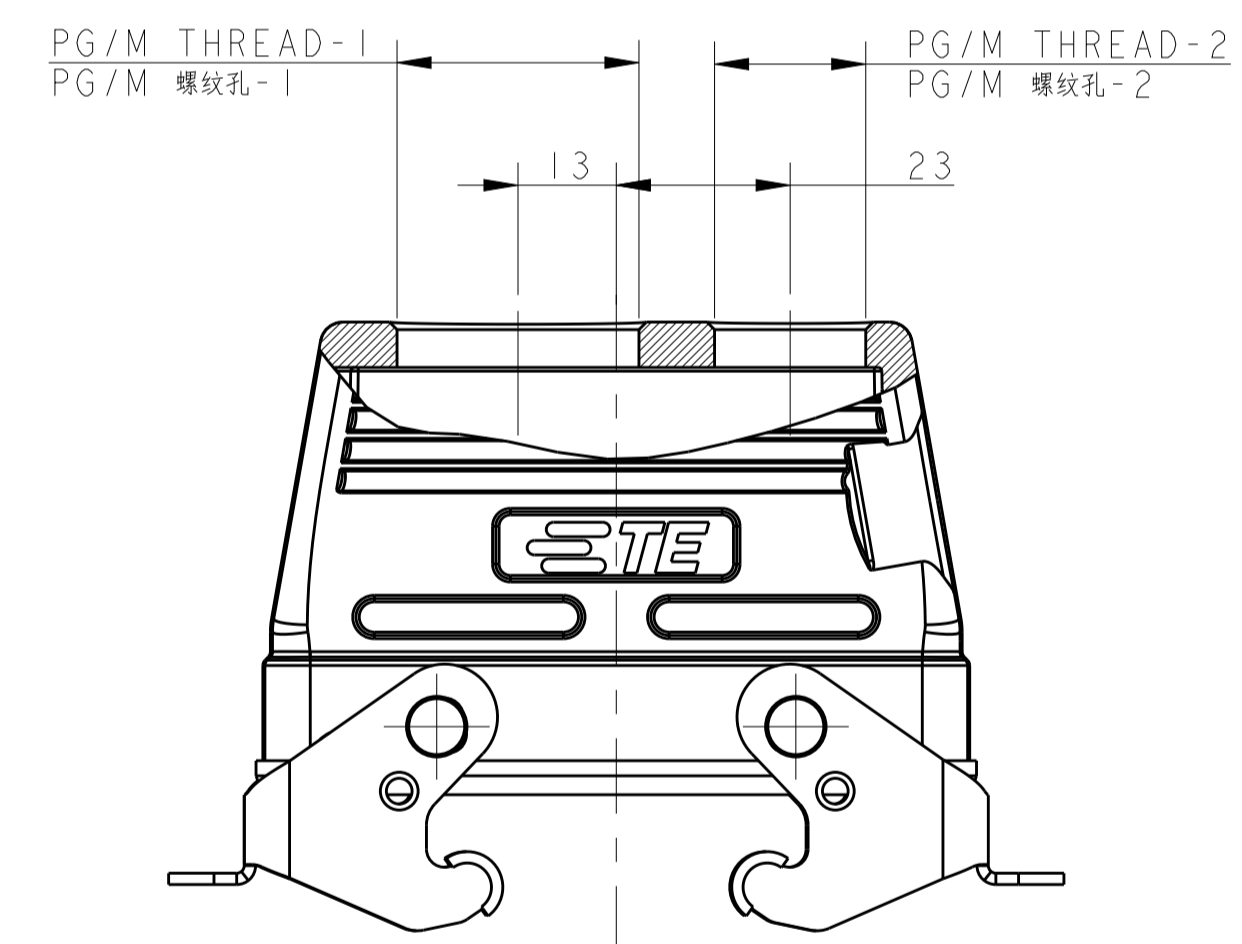
注释:
 1. 技术参数:
 壳体材料: 铝合金
 表面处理: 灰色粉末喷涂
 防护等级: IP65(配合)



TYPE 2: LOW CONSTRUCTION + METAL DOUBLE LOCKING
 OTHER SPEC REFER TO TYPE 1
 类型2: 低结构壳体+彩钢双扣, 其他规格参照类型1

TYPE 1: LOW CONSTRUCTION + STAINLESS STEEL DOUBLE LOCKING
 类型1: 低结构壳体+不锈钢双扣

PART NUMBER	描述	PG/M THREAD-1	PG/M THREAD-2	TYPE
T1710161116-000	H16B-TBFS-PG16	H16B HOUSING, CABLE-TO-CABLE, STAINLESS STEEL DOUBEL LOCKING, TOP ENTRY PG16, LOW CONSTRUCTION, POWDER COATED, GRAY H16B下壳, 电缆对接, 不锈钢双扣, 顶出PG16, 低结构, 灰色粉末喷涂	PG16	-
T1710161120-000	H16B-TBFS-M20	H16B HOUSING, CABLE-TO-CABLE, STAINLESS STEEL DOUBEL LOCKING, TOP ENTRY M20, LOW CONSTRUCTION, POWDER COATED, GRAY H16B下壳, 电缆对接, 不锈钢双扣, 顶出M20, 低结构, 灰色粉末喷涂	M20	-
T1710161121-000	H16B-TBFS-PG21	H16B HOUSING, CABLE-TO-CABLE, STAINLESS STEEL DOUBEL LOCKING, TOP ENTRY PG21, LOW CONSTRUCTION, POWDER COATED, GRAY H16B下壳, 电缆对接, 不锈钢双扣, 顶出PG21, 低结构, 灰色粉末喷涂	PG21	-
T1710161125-000	H16B-TBFS-M25	H16B HOUSING, CABLE-TO-CABLE, STAINLESS STEEL DOUBEL LOCKING, TOP ENTRY M25, LOW CONSTRUCTION, POWDER COATED, GRAY H16B下壳, 电缆对接, 不锈钢双扣, 顶出M25, 低结构, 灰色粉末喷涂	M25	-
T1710162113-000	H16B-TBF-PG13.5	H16B HOUSING, CABLE-TO-CABLE, METAL DOUBEL LOCKING, TOP ENTRY PG13.5, LOW CONSTRUCTION, POWDER COATED, GRAY H16B下壳, 电缆对接, 彩钢双扣, 顶出PG13.5, 低结构, 灰色粉末喷涂	PG13.5	-
T1710162129-000	H16B-TBF-PG29	H16B HOUSING, CABLE-TO-CABLE, METAL DOUBEL LOCKING, TOP ENTRY PG29, LOW CONSTRUCTION, POWDER COATED, GRAY H16B下壳, 电缆对接, 彩钢双扣, 顶出PG29, 低结构, 灰色粉末喷涂	PG29	-
T1710162121-000	H16B-TBF-PG21	H16B HOUSING, CABLE-TO-CABLE, METAL DOUBEL LOCKING, TOP ENTRY PG21, LOW CONSTRUCTION, POWDER COATED, GRAY H16B下壳, 电缆对接, 彩钢双扣, 顶出PG21, 低结构, 灰色粉末喷涂	PG21	-
T1710162125-000	H16B-TBF-M25	H16B HOUSING, CABLE-TO-CABLE, METAL DOUBEL LOCKING, TOP ENTRY M25, LOW CONSTRUCTION, POWDER COATED, GRAY H16B下壳, 电缆对接, 彩钢双扣, 顶出M25, 低结构, 灰色粉末喷涂	M25	-
T1710162132-000	H16B-TBF-M32	H16B HOUSING, CABLE-TO-CABLE, METAL DOUBEL LOCKING, TOP ENTRY M32, LOW CONSTRUCTION, POWDER COATED, GRAY H16B下壳, 电缆对接, 彩钢双扣, 顶出M32, 低结构, 灰色粉末喷涂	M32	-
T1710161632-000	H16B-TBF-M32/M16	H16B HOUSING, CABLE-TO-CABLE, METAL DOUBEL LOCKING, TOP ENTRY M32 AND M16, LOW CONSTRUCTION, POWDER COATED, GRAY H16B下壳, 电缆对接, 彩钢双扣, 顶出M32和M16, 低结构, 灰色粉末喷涂	M32	M16
T1710162032-000	H16B-TBF-M32/M20	H16B HOUSING, CABLE-TO-CABLE, METAL DOUBEL LOCKING, TOP ENTRY M32 AND M20, LOW CONSTRUCTION, POWDER COATED, GRAY H16B下壳, 电缆对接, 彩钢双扣, 顶出M32和M20, 低结构, 灰色粉末喷涂	M32	M20
T1730163121-000	H16B-TBF-LB-PG21	H16B HOUSING, CABLE-TO-CABLE, METAL SINGLE LOCKING, TOP ENTRY PG21, LOW CONSTRUCTION, POWDER COATED, GRAY H16B下壳, 电缆对接, 彩钢单扣, 顶出PG21, 低结构, 灰色粉末喷涂	PG21	-
T1730163125-000	H16B-TBF-LB-M25	H16B HOUSING, CABLE-TO-CABLE, METAL SINGLE LOCKING, TOP ENTRY M25, LOW CONSTRUCTION, POWDER COATED, GRAY H16B下壳, 电缆对接, 彩钢单扣, 顶出M25, 低结构, 灰色粉末喷涂	M25	-
T1730163132-000	H16B-TBF-LB-M32	H16B HOUSING, CABLE-TO-CABLE, METAL SINGLE LOCKING, TOP ENTRY M32, LOW CONSTRUCTION, POWDER COATED, GRAY H16B下壳, 电缆对接, 彩钢单扣, 顶出M32, 低结构, 灰色粉末喷涂	M32	-



TYPE 3: LOW CONSTRUCTION + METAL DOUBLE LOCKING
 2 ENTRY HOLE
 OTHER SPEC REFER TO TYPE 2
 类型3: 低结构壳体+彩钢双扣, 2个进线孔, 其他规格参照类型2

TYPE 4: LOW CONSTRUCTION + METAL SINGLE LOCKING
 OTHER SPEC REFER TO TYPE 1
 类型4: 低结构壳体+彩钢单扣, 其他规格参照类型1

THIS DRAWING IS A CONTROLLED DOCUMENT. DIMENSIONS: mm. TOLERANCES UNLESS OTHERWISE SPECIFIED: 0 PLC ±, 1 PLC ±, 2 PLC ±, 3 PLC ±, 4 PLC ±, ANGLES ±. MATERIAL: TBD. FINISH: -. WEIGHT: -. CUSTOMER DRAWING. SCALE: 1:1. SHEET 1 OF 2. REV A2.

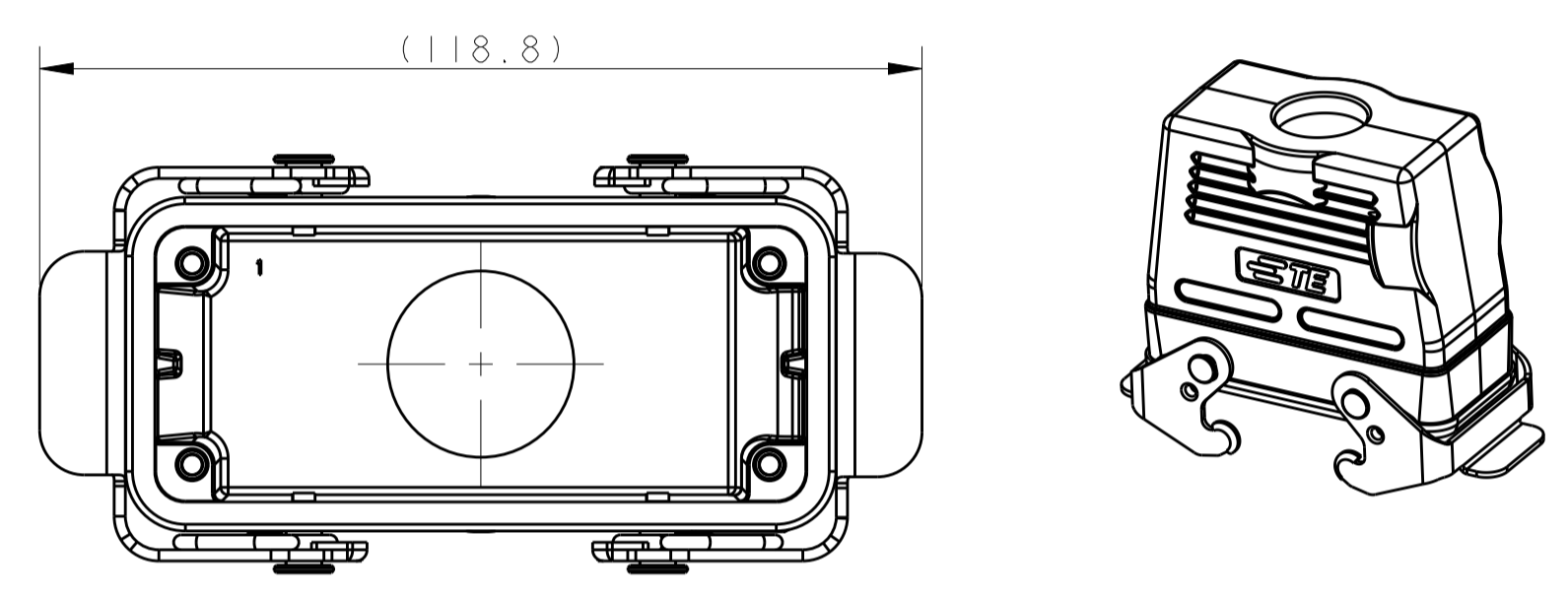
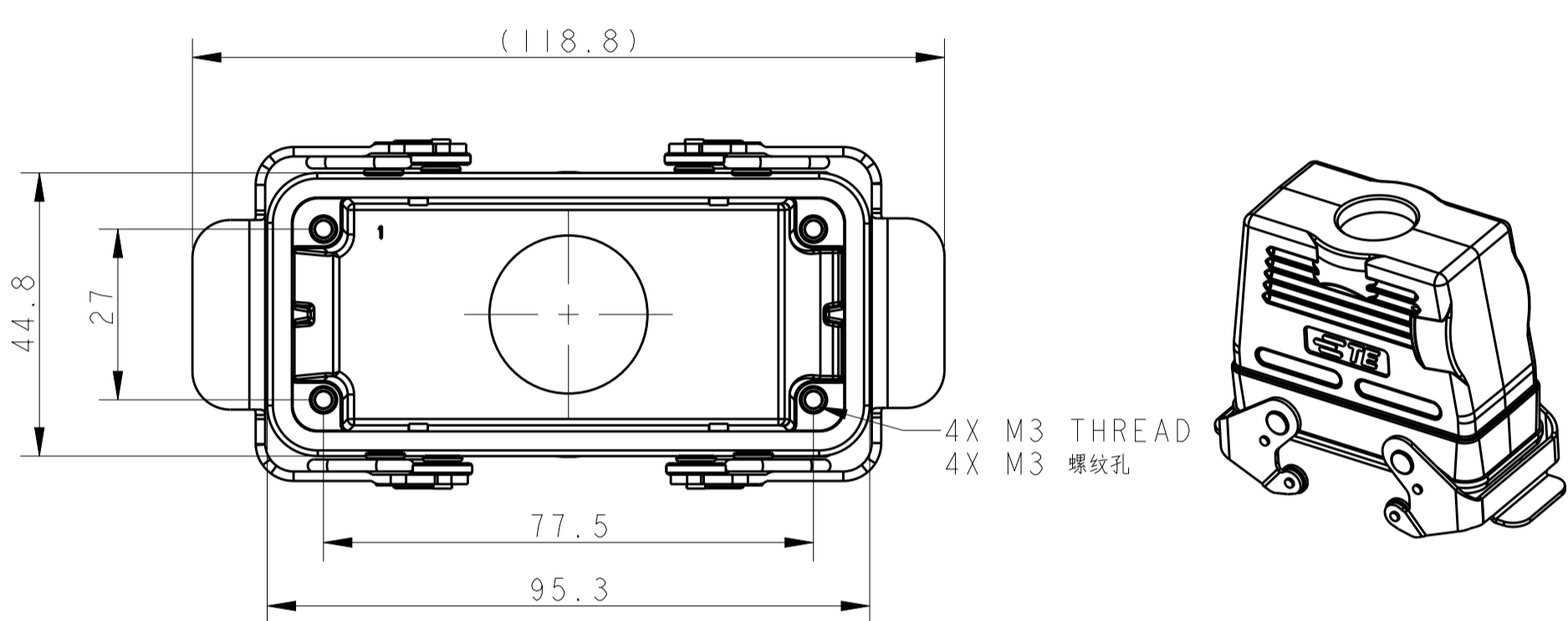
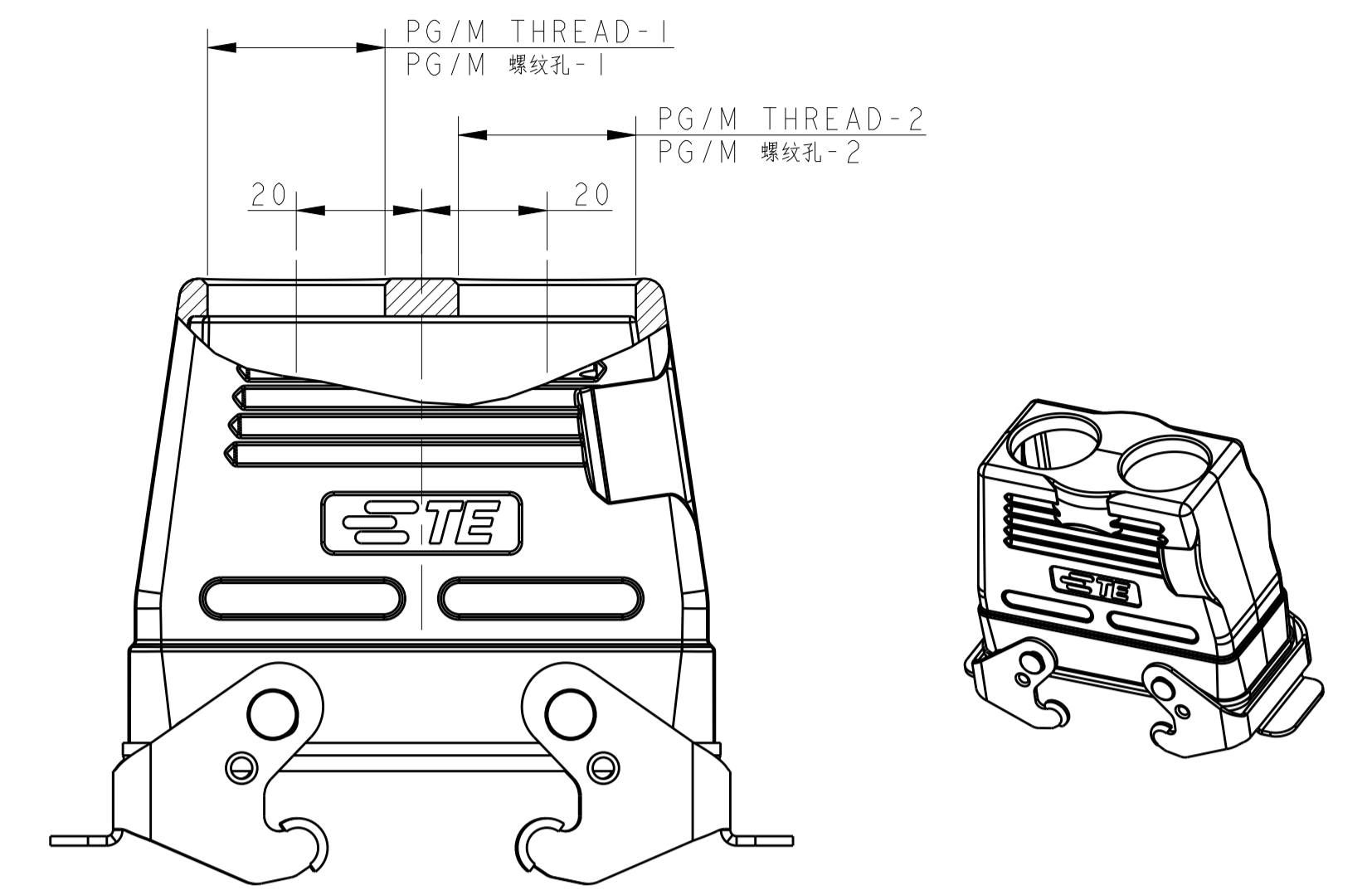
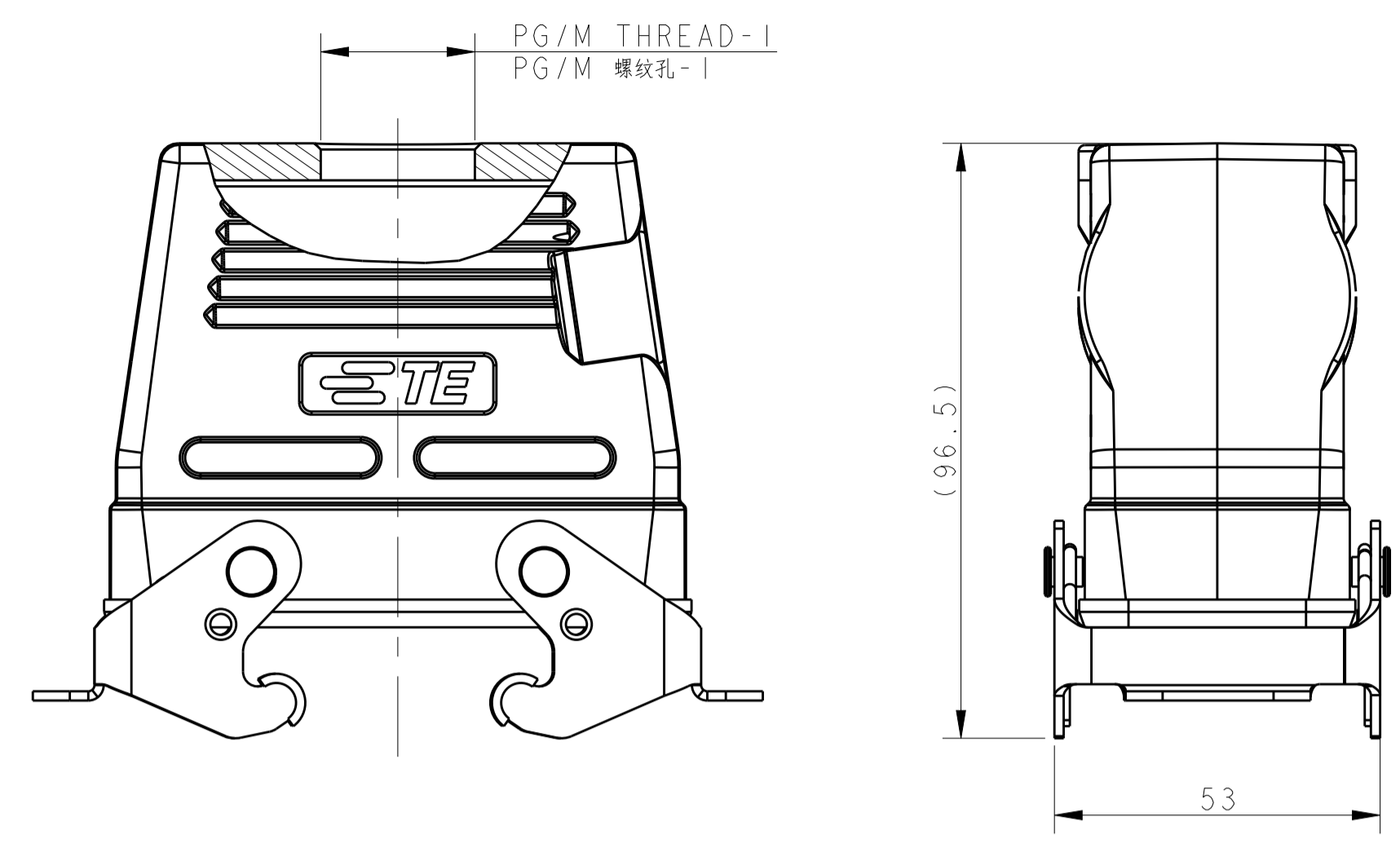
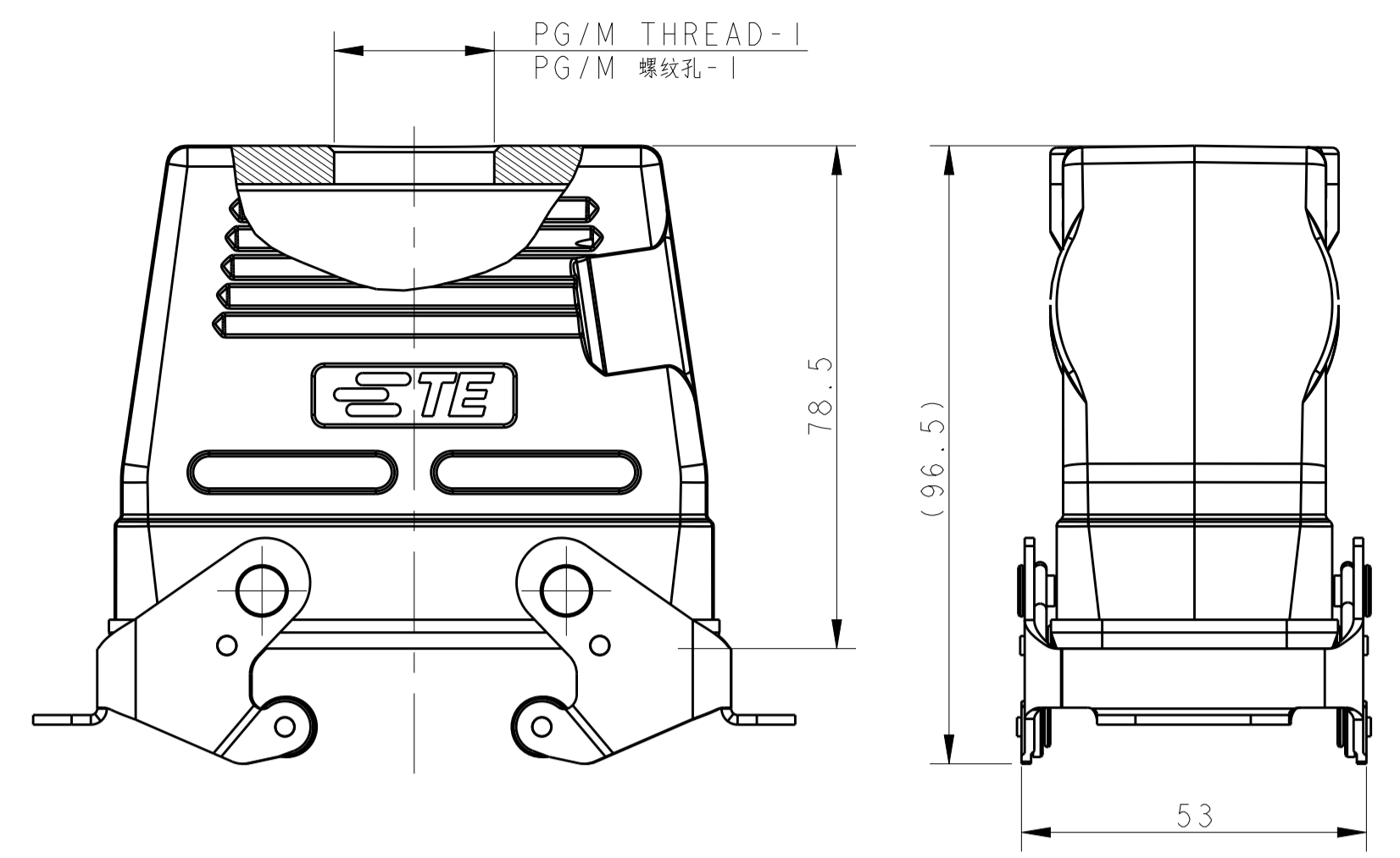
DAVID LI 06JUL2015
 CHRIS WANG 06JUL2015
 XIANG XU 06JUL2015

STE TE Connectivity
 NAME: H16B-TBFS/TBF/TBF-LB-PG/M
 PRODUCT SPEC: 108-137013
 APPLICATION SPEC: 114-137013

SIZE: A1. CAGE CODE: -. DRAWING NO: C-T17X016XXXX000. RESTRICTED TO: -. REV: A2.

NOTES:
SEE SHEET 1.
注释:
见第1页

REVISIONS				
REV	DATE	DESCRIPTION	BY	APPV
-	-	SEE SHEET 1	-	-

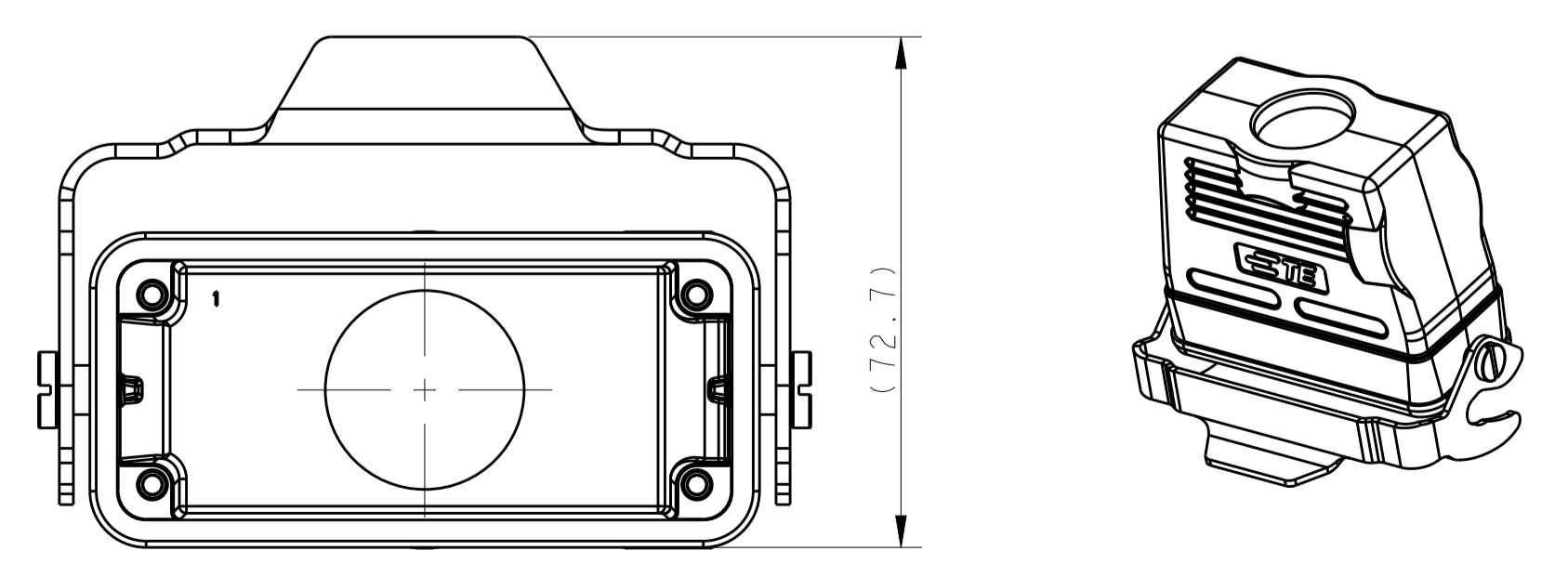
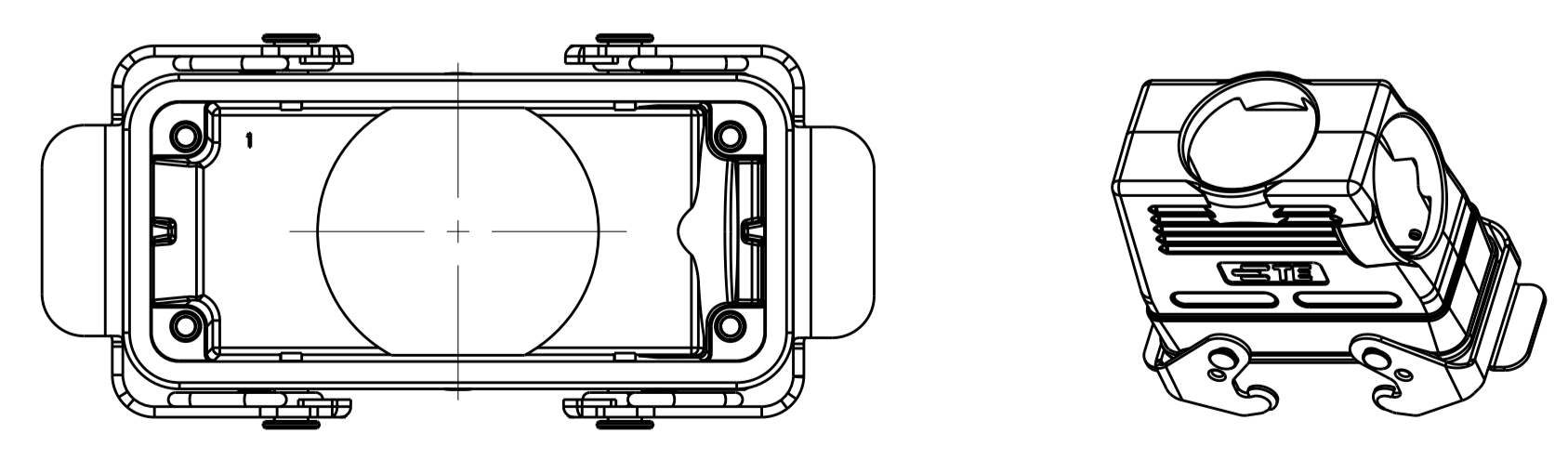
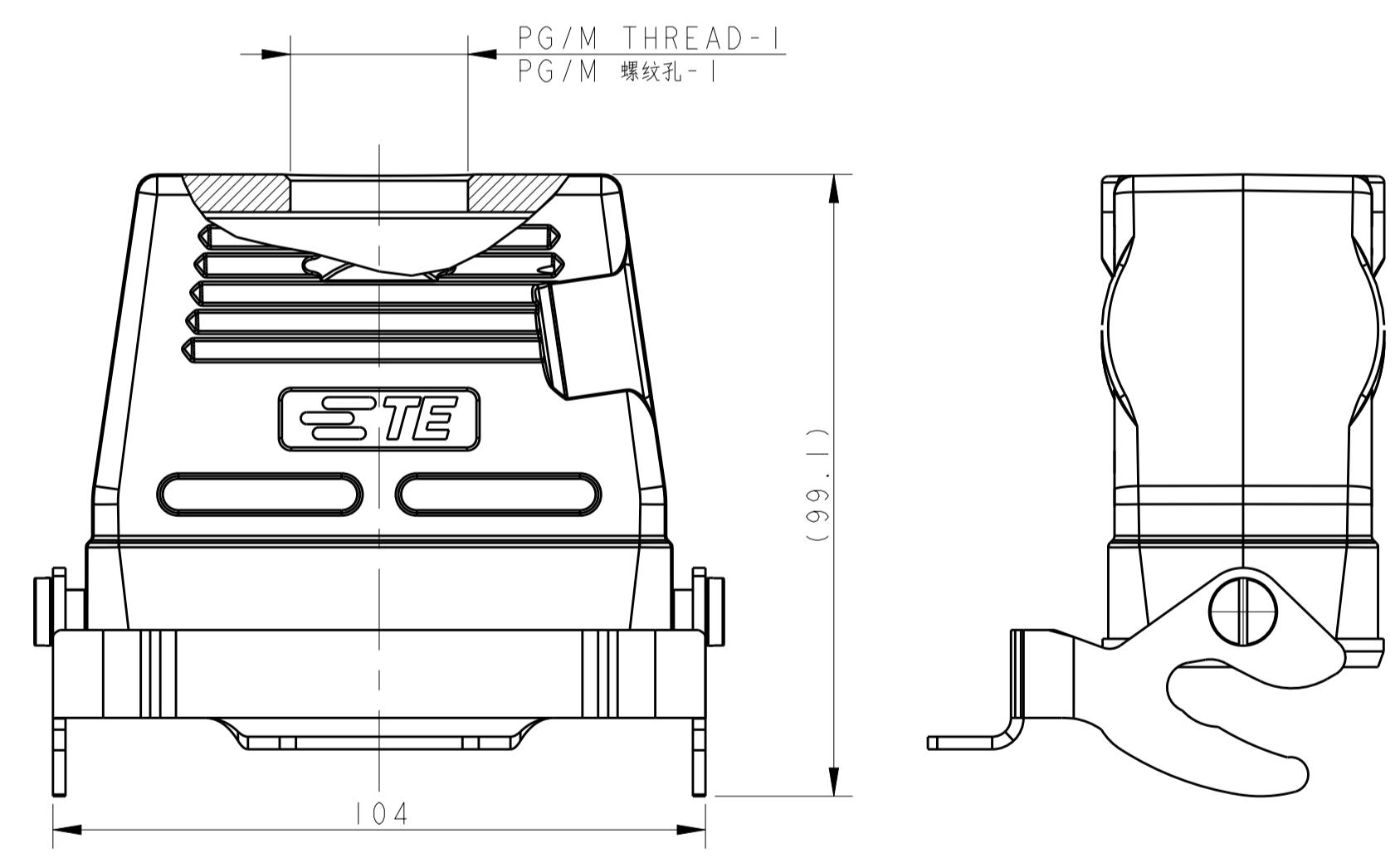
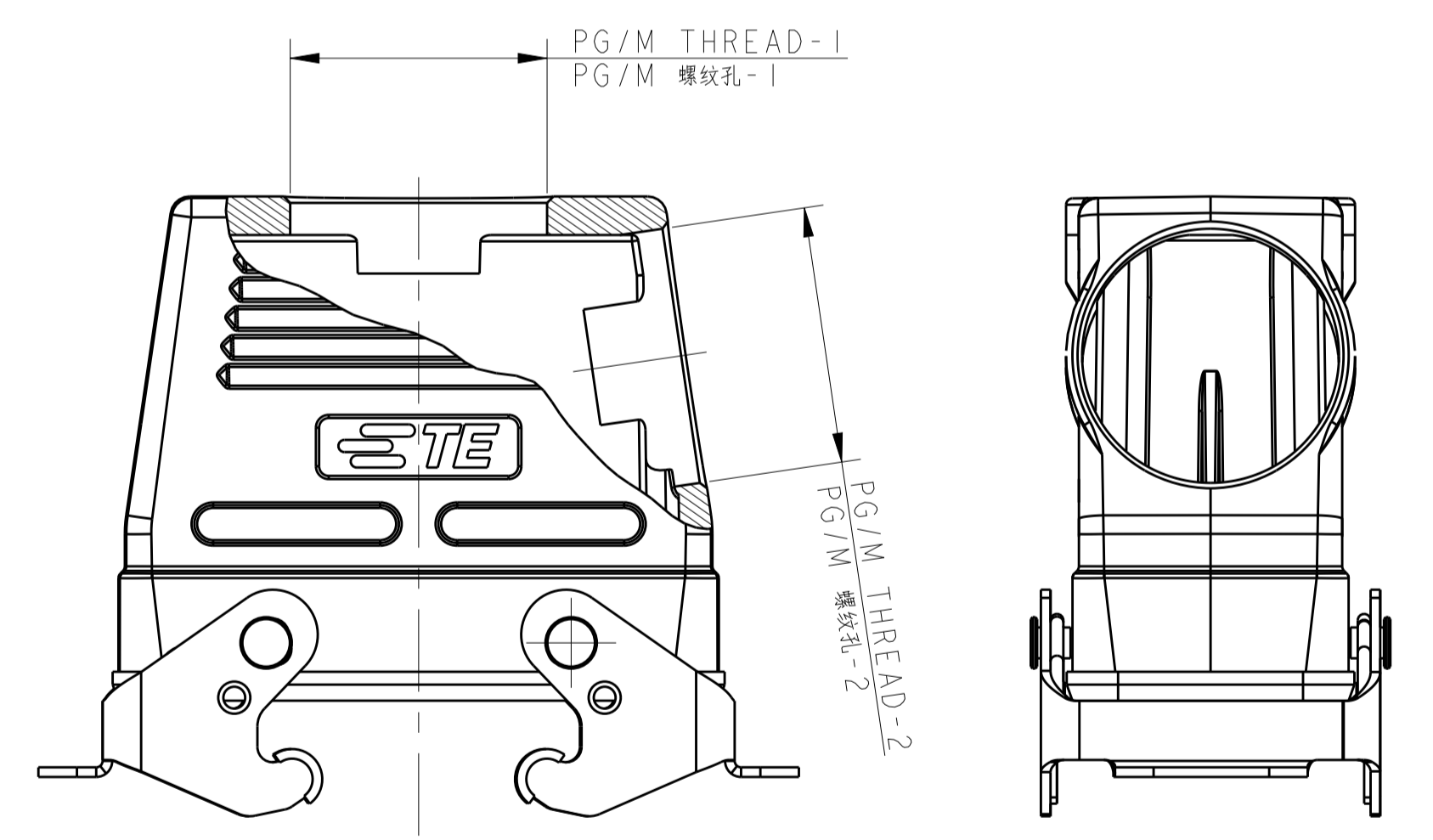


TYPE 7: HIGH CONSTRUCTION + METAL DOUBLE LOCKING
2 ENTRY HOLE
OTHER SPEC REFER TO TYPE 6
类型7: 高结构壳体+彩钢双扣, 2个进线孔, 其他规格参照类型6

TYPE 5: HIGH CONSTRUCTION + STAINLESS STEEL DOUBLE LOCKING
类型5: 高结构壳体+不锈钢双扣

TYPE 6: HIGH CONSTRUCTION + METAL DOUBLE LOCKING
OTHER SPEC REFER TO TYPE 5
类型6: 高结构壳体+彩钢双扣, 其他规格参照类型5

PART NUMBER	DESCRIPTION	PG/M THREAD-1	PG/M THREAD-2	TYPE
T1750161121-000	HI6B HOUSING, CABLE-TO-CABLE, STAINLESS STEEL DOUBEL LOCKING, TOP ENTRY PG21, HIGH CONSTRUCTION, POWDER COATED, GRAY HI6B下壳, 电缆对接, 不锈钢双扣, 顶出PG21, 高结构, 灰色粉末喷涂	PG21	-	-
T1750161129-000	HI6B HOUSING, CABLE-TO-CABLE, STAINLESS STEEL DOUBEL LOCKING, TOP ENTRY PG29, HIGH CONSTRUCTION, POWDER COATED, GRAY HI6B下壳, 电缆对接, 不锈钢双扣, 顶出PG29, 高结构, 灰色粉末喷涂	PG29	-	TYPE 5
T1750161132-000	HI6B HOUSING, CABLE-TO-CABLE, STAINLESS STEEL DOUBEL LOCKING, TOP ENTRY M32, HIGH CONSTRUCTION, POWDER COATED, GRAY HI6B下壳, 电缆对接, 不锈钢双扣, 顶出M32, 高结构, 灰色粉末喷涂	M32	-	-
T1750162121-000	HI6B HOUSING, CABLE-TO-CABLE, METAL DOUBEL LOCKING, TOP ENTRY PG21, HIGH CONSTRUCTION, POWDER COATED, GRAY HI6B下壳, 电缆对接, 彩钢双扣, 顶出PG21, 高结构, 灰色粉末喷涂	PG21	-	-
T1750162125-000	HI6B HOUSING, CABLE-TO-CABLE, METAL DOUBEL LOCKING, TOP ENTRY M25, HIGH CONSTRUCTION, POWDER COATED, GRAY HI6B下壳, 电缆对接, 彩钢双扣, 顶出M25, 高结构, 灰色粉末喷涂	M25	-	-
T1750162129-000	HI6B HOUSING, CABLE-TO-CABLE, METAL DOUBEL LOCKING, TOP ENTRY PG29, HIGH CONSTRUCTION, POWDER COATED, GRAY HI6B下壳, 电缆对接, 彩钢双扣, 顶出PG29, 高结构, 灰色粉末喷涂	PG29	-	TYPE 6
T1750162132-000	HI6B HOUSING, CABLE-TO-CABLE, METAL DOUBEL LOCKING, TOP ENTRY M32, HIGH CONSTRUCTION, POWDER COATED, GRAY HI6B下壳, 电缆对接, 彩钢双扣, 顶出M32, 高结构, 灰色粉末喷涂	M32	-	-
T1750162140-000	HI6B HOUSING, CABLE-TO-CABLE, METAL DOUBEL LOCKING, TOP ENTRY M40, HIGH CONSTRUCTION, POWDER COATED, GRAY HI6B下壳, 电缆对接, 彩钢双扣, 顶出M40, 高结构, 灰色粉末喷涂	M40	-	-
T1750162221-000	HI6B HOUSING, CABLE-TO-CABLE, METAL DOUBEL LOCKING, TOP ENTRY PG21, HIGH CONSTRUCTION, POWDER COATED, GRAY HI6B下壳, 电缆对接, 彩钢双扣, 顶出2PG21, 高结构, 灰色粉末喷涂	PG21	PG21	TYPE 7
T1750162225-000	HI6B HOUSING, CABLE-TO-CABLE, METAL DOUBEL LOCKING, TOP ENTRY 2M25, HIGH CONSTRUCTION, POWDER COATED, GRAY HI6B下壳, 电缆对接, 彩钢双扣, 顶出2M25, 高结构, 灰色粉末喷涂	M25	M25	-
T1750164040-000	HI6B HOUSING, CABLE-TO-CABLE, METAL DOUBEL LOCKING, TOP ENTRY M40, SIDE ENTRY M40, HIGH CONSTRUCTION, POWDER COATED, GRAY HI6B下壳, 电缆对接, 彩钢双扣, 顶出M40, 侧出M40, 高结构, 灰色粉末喷涂	M40	M40	TYPE 8
T1770162121-000	HI6B HOUSING, CABLE-TO-CABLE, METAL SINGLE LOCKING, TOP ENTRY PG21, HIGH CONSTRUCTION, POWDER COATED, GRAY HI6B下壳, 电缆对接, 彩钢单扣, 顶出PG21, 高结构, 灰色粉末喷涂	PG21	-	-
T1770162129-000	HI6B HOUSING, CABLE-TO-CABLE, METAL SINGLE LOCKING, TOP ENTRY PG29, HIGH CONSTRUCTION, POWDER COATED, GRAY HI6B下壳, 电缆对接, 彩钢单扣, 顶出PG29, 高结构, 灰色粉末喷涂	PG29	-	TYPE 9
T1770162132-000	HI6B HOUSING, CABLE-TO-CABLE, METAL SINGLE LOCKING, TOP ENTRY M32, HIGH CONSTRUCTION, POWDER COATED, GRAY HI6B下壳, 电缆对接, 彩钢单扣, 顶出M32, 高结构, 灰色粉末喷涂	M32	-	-



TYPE 8: HIGH CONSTRUCTION + METAL DOUBLE LOCKING
2 ENTRY HOLE
OTHER SPEC REFER TO TYPE 6
类型8: 高结构壳体+彩钢双扣, 2个进线孔, 其他规格参照类型6

TYPE 9: HIGH CONSTRUCTION + METAL SINGLE LOCKING
OTHER SPEC REFER TO TYPE 5
类型9: 高结构壳体+彩钢单扣, 其他规格参照类型5

THIS DRAWING IS A CONTROLLED DOCUMENT. DIMENSIONS: mm. TOLERANCES UNLESS OTHERWISE SPECIFIED: 0 PLC ±, 1 PLC ±, 2 PLC ±, 3 PLC ±, 4 PLC ±, ANGLES ±. MATERIAL: TBD. FINISH: -. WEIGHT: -. CUSTOMER DRAWING. SCALE: 1:1. SHEET 2 OF 2. REV A2.

DAVID LI 06 JUL 2015
CHRIS WANG 06 JUL 2015
XILANG XU 06 JUL 2015

NAME: HI6B-TBFS/TBF/TBF-LB-PG/M
SIZE: A1
CAGE CODE: -
DRAWING NO: -
RESTRICTED TO: -
C: T17X016XXXX000

X-ON Electronics

Largest Supplier of Electrical and Electronic Components

Click to view similar products for [Heavy Duty Power Connectors](#) category:

Click to view products by [TE Connectivity](#) manufacturer:

Other Similar products are found below :

[1424439](#) [1424438](#) [09330062652](#) [2-8675P1](#) [605601-1](#) [6340G1](#) [6341G1](#) [6360G1](#) [6373G1](#) [6374g2](#) [6396G1](#) [647757-1](#) [66394-4](#) [6643411-1](#)
[6646058-2](#) [6646137-1](#) [6646138-1](#) [6646348-1](#) [6646479-1](#) [6646608-1](#) [6646786-1](#) [6646940-1](#) [6651091-1](#) [6651525-1](#) [6651529-1](#) [6651778-1](#)
[6651788-1](#) [696465-1](#) [696475-1](#) [73000005059](#) [73000005349](#) [73000005642](#) [73080255059](#) [73080965046](#) [765-15-0080A](#) [765-16-0080B](#)
[789.700-44](#) [789.700-54](#) [80-1010](#) [80-9](#) [827381-1](#) [829992-1](#) [902-77-02113](#) [PL00U-301-10D10](#) [PM103MOOLOO](#) [PM16S1620S32-50](#)
[PM212MOOLOO](#) [PM309FOOLOO](#) [PM324FOOLCH](#) [PMHPAF11S03](#)