

EDM1-CF-IMX6



Main Features

- ARM Cortex-A9 NXP i.MX6 scalable single/dual/quad core EDM Type 1 compact System on Module.
- Gigabit LAN, WiFi 802.11 b/g/n and Bluetooth v. 4.0 communication interface.
- Targeting multimedia applications with LVDS, TTL, HDMI, S/PDIF, I²S, MIPI Camera and Display.



Power	LAN	TTL		GPMC		I ² S 2 nd	SPDIF	CANBus x2	SD	SPI x2	UART x2	Buttons + GPIO	RSVD
		LVDS	HDMI	PCIe x1	SATA 1 st	USB OTG	USB Host				I ² S 1 st		

Specifications

Core System

Processor	NXP i.MX6 Solo NXP i.MX6 DualLite NXP i.MX6 Dual NXP i.MX6 Quad
Architecture	ARM Cortex-A9
Memory	up to 2GB DDR3
Storage	eMMC (4GB Default) MicroSD Cardslot (optional)
Board-to-Board Connector	EDM connector (314-pin MXM3)
System on Module	EDM Type 1
Debug Interface	JTAG Interface by Through-hole

Connectivity

Network LAN	1x Atheros AR8031 Gigabit LAN
WiFi/Bluetooth	Broadcom BCM4330 (optional) 802.11 b/g/n + 4.0 (BR+EDR+BLE)
Antenna	u.FL connector (optional)

Signaling

I/O	HDMI	SATA
	LVDS (Single Channel)	SDIO
	RGB TTL	CAN
	LAN	UART
	PCIe	SPI
	USB	I ² C
	USB OTG	GPMC
	I ² S	PWM
	SPDIF	GPIO

Video

Graphic Engine	Vivante GC320 (2D Composition) Vivante GC355 (Dual/Quad) Vivante GC880 (Solo/DualLite) Vivante GC2000 (Dual/Quad)
Video Decode	1080p30 + D1 (Solo/DualLite) 1080p60 H.264 (Dual/Quad)
Video Encode	1080p30 H.264 BP/Dual 720p
Camera	MIPI CSI (4 lanes)

Audio

Audio Codec	On carrier board
Audio Interface	I ² S (1 channel) S/PDIF

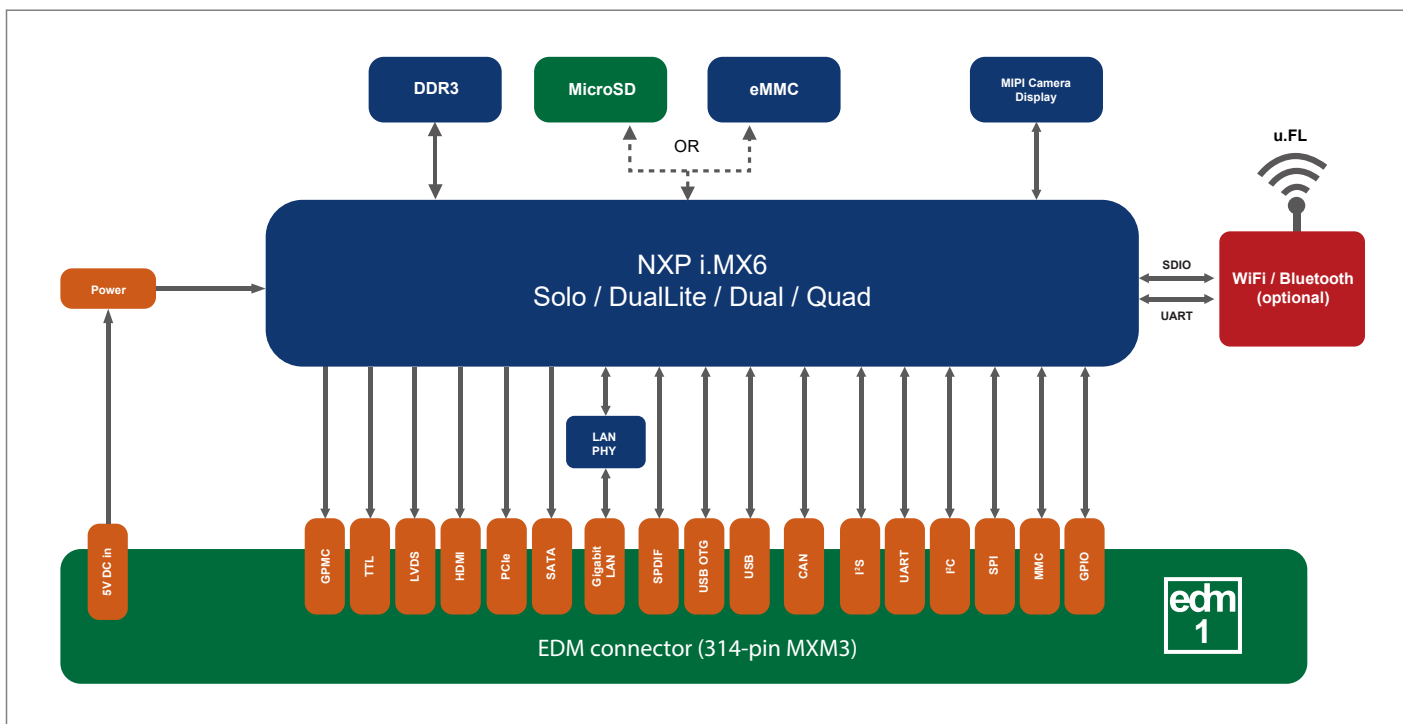
Power Specifications

Power Input	5V DC +/-5%
Power Consumption	Depending on Configuration

Operation Systems

Standard Support	Linux Yocto Ubuntu Android
Extended Support	Commercial Linux

Block Diagram

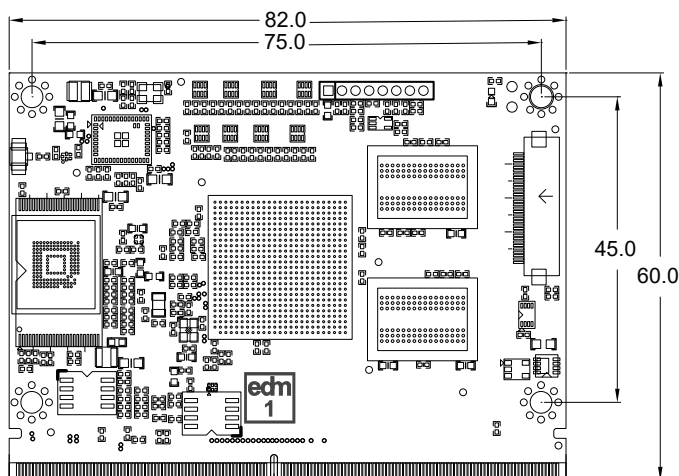


Environmental and Mechanical

Dimensions	82 x 60 mm / 3 ¹ / ₈ x 2 ³ / ₈ inch
Form Factor	EDM Compact
Weight	20 grams
Temperature	Commercial: 0° to +60° C Extended: -20° to +70° C Industrial: -40° to +85° C (no WiFi)
Relative Humidity	10 to 90 %
MTBF	>100 000 Hours
Shock	50G/25ms
Vibration	20G/0-600Hz
Certification	Compliant with CE / FCC / RoHS / REACH directives

Dimensions

(units in mm)



Ordering Information

EDM1-CF-IMX6x-10-Rxxx-NixG-xx-x-x-xx-xx-xxxx

	Code	Description
Processor	IMX6S	NXP i.MX6Solo
	IMX6U	NXP i.MX6DualLite
	IMX6D	NXP i.MX6Dual
	IMX6Q	NXP i.MX6Quad
Processor speed	10	1 GHz
Memory	R512	512 MB DDR3
	R1GB	1GB DDR3
	R2GB	2GB DDR3
Storage	SD	MicroSD Cardslot
	NI4G	eMMC capacity in Gigabyte NI4G = 4GB / NI8G = 8GB / NI16G = 16GB NI32G = 32GB / NI64G = 64GB
Bluetooth / WiFi	-	-
	BW	Broadcomm BCM4330 802.11b/g/n (2.4GHz) + Bluetooth 4.0
Network	-	-
	L	Gigabit Ethernet (Default)
SATA	-	-
CAN Bus	S	SATA(Dual/Quad)
	-	-
Temperature Range	2C	2x CAN(Default)
	-	Commercial Temperature range (0° to +60° C)(Default)
	TE	Extended Temperature range (-20° to +70° C)
Custom ID	TI	Industrial Temperature range (-40° to +85° C)
	XXXX	Custom Part number ID for customized software loader and special component (BOM)

* Feel free to contact us for custom tailored Carrier Board request for your projects.

X-ON Electronics

Largest Supplier of Electrical and Electronic Components

Click to view similar products for [System-On-Modules - SOM category](#):

Click to view products by [Technexion manufacturer](#):

Other Similar products are found below :

[COMX-CORE-310](#) [COMX-P4040-4G-ENP2](#) [PICOIMX6U10R1GBNI4G](#) [PICOIMX6U10R1GBNI4GBW](#) [MC27561-TIGER](#) [CC-WMX6UL-SMPL](#) [CB-52-PUS-110-SX](#) [BD63725BEFV-EVK-002](#) [5728-PJ-4AA-RI](#) [A00150](#) [COMX_P4080](#) [A20-SOM-EVB](#) [RK3188-SOM](#) [RK3188-SOM-4GB](#) [100-1225-1](#) [PICOIMX6Q10R1GBNI4G](#) [Nit6Q](#) [A20-SOM-N8GB](#) [PER-TAICX-A10-001](#) [PER-TAIX2-A10-2280](#) [EDL-mPCIe-MA2485](#) [SOM-5897C7-U0A1E](#) [SOM-6896C7-U2A1E](#) [SCM180-Dual-2G_Industrial](#) [3354-HX-X38-RC](#) [3359-GX-226-RC](#) [5728-PJ-4AA-RC](#) [6455-JE-3X5-RC](#) [Morph-IC-II](#) [ET876-X7LV](#) [IFC6301-10-P2](#) [IFC6502-00-P1](#) [IFC67A1-00-P1](#) [IFC6701-00-P1](#) [iW-G33M-SCMQ-4L002G-E008G-BII](#) [PWSE1000200B](#) [CS-DEPTHAI-04](#) [MYC-C8MMQ6-8E2D-180-C](#) [MYD-C4378-4E512D-100-I](#) [MOD5213-100IR](#) [A20-SOM](#) [A20-SOM204-1G](#) [A20-SOM204-1GS16ME16G-MC](#) [AM3352-SOM-EVB](#) [BS1-IC](#) [BS2-IC](#) [102110278](#) [SLS16Y2_792C_256R_256N_0SF_I](#) [SLS12RT52_528C_0R_4QSPI_0SF_I](#) [SLS12RT52_528C_32R_16QSPI_0SF_I](#)