

# EDM1-GNOME



## Main Features

- The EDM1-GNOME baseboard is compatible with TechNexion EDM Type 1 Series System on Modules. Our open and modular design ensures you can reduce your development time and costs and create extremely scalable IoT products.
- 40-pin Header and MikroBUS add extremely rich sensor, connectivity, expansion, and audio I/O options.
- Schematics, design files, board files and BOM lists of EDM1-GNOME are available and can be downloaded from the TechNexion homepage.



Power	LAN 1 <sup>st</sup>	TTL		2 <sup>nd</sup> LAN		I <sup>2</sup> S 2 <sup>nd</sup>	SPDIF	CAN x2	SD	SPI x2	UART x2	Buttons + GPIO	RSVD
		LVDS	HDMI	PCIe x2	SATA 1 <sup>st</sup>	USB OTG	USB				I <sup>2</sup> S 1 <sup>st</sup>		I <sup>2</sup> C x2

## Specifications

### Core System

Board-to-Board Connector	EDM connector (314-pin MXM3)
System on Module	EDM SOM
Debug Interface	UART Interface by Through-hole

### Internal Headers

Internal Display	1x 24-bit TTL RGB signals 1x TOUCH connector
------------------	---

Expansion Headers	GPIO I <sup>2</sup> C I <sup>2</sup> S PWM RS232 SPI USB
-------------------	--

MikroBUS	ADC GPIO I <sup>2</sup> C PWM SPI UART
----------	---

### External Connectors

Audio Connectors	CTIA compliant 3.5mm audio jack
Network	2x RJ45
USB	1x USB 2.0 Host 1x USB 2.0 OTG (Type-C)
Buttons	1x Reset
SD Cardslot	1x microSD cardslot

### Audio

Audio Codec	NXP SGTL5000
Audio Interface	I <sup>2</sup> S (2 channel)

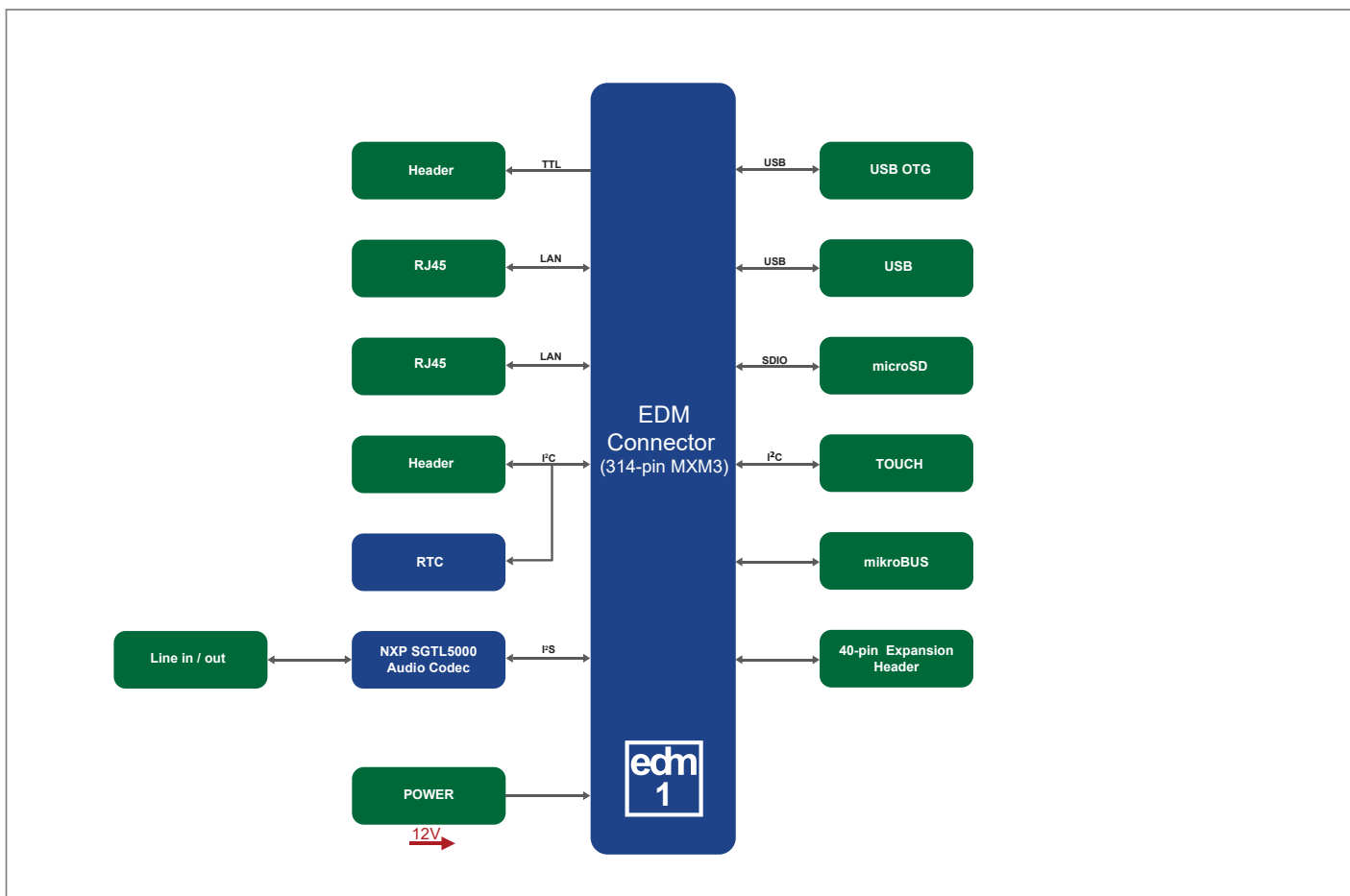
### Sensors

RTC	maxim integrated DS1337+ 2-pin header battery connector
-----	--

### Power Specifications

Power Input	12V DC +/-5%
Power Connector	2-pin Micro-Fit 3.0
Power Consumption	Depending on Configuration

## Block Diagram



## Environmental and Mechanical

Dimensions	100 x 72 mm
Form Factor	Pico-ITX
Weight	64 grams
Temperature	Commercial: 0° to +60° C
Relative Humidity	10 to 90 %
MTBF	>100 000 Hours
Shock	50G/25ms
Vibration	20G/0-600Hz
Certification	Compliant with CE / FCC / RoHS / REACH directives

## Ordering Information

EDM1-GNOME-xxxxx

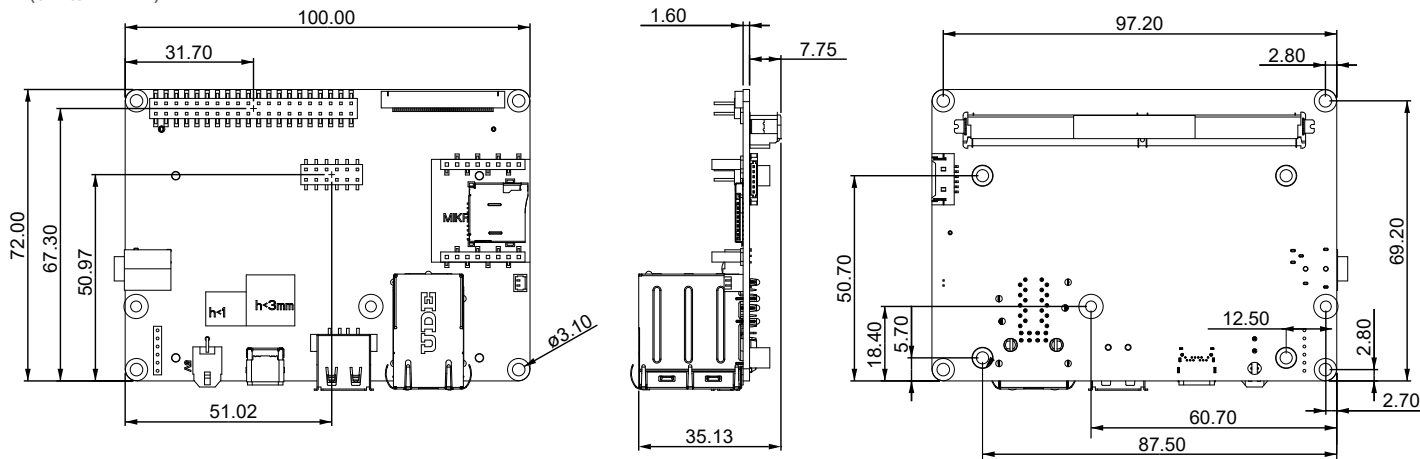
	Code	Description
Startkit	-	Board Only
	START	Evaluation Kit

EDM1-GNOME  
GNOME EDM Type 1 Carrier Board  
EDM1-GNOME-START  
GNOME EDM Type 1 Evaluation Board including cablekit and adaptor

\* Feel free to contact us for customization requests.

## Dimensions

(units in mm)



## X-ON Electronics

Largest Supplier of Electrical and Electronic Components

*Click to view similar products for [Development Boards & Kits - ARM category](#):*

*Click to view products by [Technexion manufacturer](#):*

Other Similar products are found below :

[SAFETI-HSK-RM48](#) [PICOHOBBITFL](#) [CC-ACC-MMK-2443](#) [TWR-MC-FRDMKE02Z](#) [EVALSPEAR320CPU](#) [EVB-SCMIMX6SX](#)  
[MAX32600-KIT#](#) [TMDX570LS04HDK](#) [TXSD-SV70](#) [OM13080UL](#) [EVAL-ADUC7120QSPZ](#) [OM13082UL](#) [TXSD-SV71](#)  
[YGRPEACHNORMAL](#) [OM13076UL](#) [PICODWARFFL](#) [YR8A77450HA02BG](#) [3580](#) [32F3348DISCOVERY](#) [ATTINY1607](#) [CURIOSITY](#)  
[NANO](#) [PIC16F15376](#) [CURIOSITY NANO BOARD](#) [PIC18F47Q10](#) [CURIOSITY NANO](#) [VISIONSTK-6ULL V.2.0](#) [80-001428](#) [DEV-17717](#)  
[EAK00360](#) [YR0K77210B000BE](#) [RTK7EKA2L1S00001BE](#) [MAX32651-EVKIT#](#) [SLN-VIZN-IOT](#) [ETTUS USRP B200MINI](#) [USB-202](#)  
[MULTIFUNCTION DAQ DEVICE](#) [USB-205 MULTIFUNCTION DAQ DEVICE](#) [LV18F V6 DEVELOPMENT SYSTEM](#) [READY FOR](#)  
[AVR BOARD](#) [READY FOR PIC BOARD](#) [READY FOR PIC \(DIP28\)](#) [EVB-VF522R3](#) [AVRPLC16 V6 PLC SYSTEM](#) [MIKROLAB FOR](#)  
[AVR XL](#) [MIKROLAB FOR PIC L](#) [MINI-AT BOARD - 5V](#) [MINI-M4 FOR STELLARIS](#) [MOD-09.Z](#) [BUGGY + CLICKER 2 FOR PIC32MX](#)  
[+ BLUETOOT 1410](#) [LETS MAKE PROJECT PROGRAM. RELAY PIC](#) [LETS MAKE - VOICE CONTROLLED LIGHTS](#) [LPC-H2294](#)  
[DSPIC-READY2 BOARD](#)